

| SH | I/1 | REV | C | WINDCHILL VERSION | C.2 | | |
|--------|--------|-------------|--------------------------------|--|-----|--|--|
| ITEM # | PART # | QTY | DESCRIPTION | | | | |
| 1 | 0C2237 | 1 | XFRSW HSB 100A 2P 250V | | | | |
| 2 | 074908 | 4 | SCREW HHTT M5-0.8 X 10 BP | | | | |
| 3 | 077033 | 6 | LUG SLDLSS 1/0-#14X9/16 AL/CU | | | | |
| 4 | 0G7624 | 6 | SCREW PPHM #10-32 X 5/16 | | | | |
| 5 | 022152 | 6 | WASHER LOCK #10 | | | | |
| 6 | 0A1495 | 4 | SCREW HHTT M4-0.7 X 10 BP | | | | |
| 7 | 074138 | 1 | LUG DIS QK N1-S 10X45 DEG BR/T | | | | |
| ** | 8 | 0K0103 | 1 | RELAY PNL 12VDC DPDT 10A@240VA | | | |
| ** | 9 | 0D2572 | 1 | FUSEBLOCK 30A 600V 3POS W/SO | | | |
| ** | 10 | 073590A | 3 | FUSE 5A X BUSS | | | |
| ** | 11 | 0D7393T | 1 | TERM BLOCK 3P UL 12-20AWG | | | |
| ** | 12 | 0K0124 | 2 | SCREW PHTT M3-0.5 X 25 | | | |
| ** | 13 | 0K0108 | 1 | ASSY-NEUT BLK 100A | | | |
| ** | 14 | 090388 | 2 | SCREW HHTT M6-1.0 X 12 ZINC | | | |
| ** | 15 | 0K01120ALOR | 1 | ENCLOSURE 100/200A XFER SW_RAW | | | |
| ** | 16 | 0K01130ALOR | 1 | COVER 100A XFER SWITCH_INST_RAW | | | |
| ** | 17 | 0K0114 | 1 | SUBPLATE, 100/200A XFER SW | | | |
| ** | 18 | 0H7274 | 1 | DECAL NEC COMPLIANCE | | | |
| ** | 19 | 0G8411 | 6 | NUT HEX FL WHIZ 1/4-20 | | | |
| ** | 20 | 0A9457 | 1 | DECAL, NEUTRAL | | | |
| ** | 21 | 0A9517 | 1 | DECAL MANUAL 5A FUSE | | | |
| ** | 22 | 0H7917 | 1 | DECAL CUSTOMER CONN RTS | | | |
| ** | 23 | 0K1800 | 1 | DECAL TEST SEQUENCE 100/200A NON | | | |
| ** | 24 | 0G3274 | 1 | DECAL LIVE CIRCUIT ENG/FRN/SPN | | | |
| ** | 25 | 0H6389 | 1 | DECAL UTILITY LOAD SENSE 240V | | | |
| ** | 26 | 0J8202 | 1 | LUG SLDLSS 2/0-#14X#10-32X.125 | | | |
| ** | 27 | 026850 | 2 | WASHER LOCK EXT 1/4 STL | | | |
| ** | 28 | 022473 | 4 | WASHER FLAT 1/4-M6 ZINC | | | |
| * | 29 | 0K1799A | 1 | DECAL DATA NON SE SW 100A | | | |
| * | 30 | 085296 | 1 | SCREW HHC 1/4-20 X 1/2 SS | | | |
| * | 31 | 0D6162 | 2 | RIVET POP .156 X .362 AL | | | |
| *** | 32 | 0E6155 | 1 | PIN ARM EXTENDER | | | |
| *** | 33 | 0E6193 | 1 | BRACKET, ARM EXTENDER | | | |
| *** | 34 | 0F2659 | 2 | SCREW HHTT M3-0.5 X 6 BP | | | |
| *** | 35 | 0A2115 | 1 | WASHER NYLON .257 | | | |
| *** | 36 | 0H7270 | 1 | CHANNEL SNAPTRACK 76.2 X 101.2 | | | |
| * | 37 | 0K0220A | 1 | ASSY LOAD MANAGEMENT CONTROLLER PROGRAMMED | | | |
| * | 38 | 0K1098 | 1 | DECAL RTS TRANSFER SW GENERAC | | | |
| * | 39 | 0K0122 | 1 | WIRING HARNESS HSB (NOT SHOWN) | | | |
| * | 40 | 0E6303 | 2 | WIRE-A | | | |
| * | 41 | 0E6303C | 1 | WIRE-EI | | | |
| * | 42 | 058000E | 1 | NUT TRIC 1/4-20 X .525 | | | |

**SERIAL NUMBER AND FRONT DECAL PER MODEL
 **SUPPLIED WITH HARNESS ITEM #39
 ***SUPPLIED WITH TRANSFER SWITCH

| PART NUMBER | DESCRIPTION | ITEM # 29 | ITEM # 38 |
|-------------|------------------------------|-----------|-----------|
| OK0159 | ASSEMBLY 200A 120/240 NON SE | OK1799A | PER MODEL |
| OK0159A | EXPLODED VIEW DRAWING | N/A | N/A |
| OK0159B | ASSEMBLY 200A 120/240 NON SE | OK1799A | OK1098 |
| OK0159C | ASSEMBLY 200A 120/240 NON SE | OJ3806A | OK1274 |

CENTER DECAL APPROXIMATELY
6-1/4" DOWN FROM TOP OF COVER
USING ASSEMBLY TEMPLATE

ITEM #28 ONE MOUNTED UNDER
ONE MOUNTED OF TOP OF
SUBPLATE ITEM #16
4 PLACES

TORQUE ITEM #4
TO 24-30 IN-LBS

SECTION A-A
SCALE 0.600

SECTION B-B
SCALE 0.600

REFERENCE DRAWINGS
 OK0134 SCHEMATIC/WIRING DIAGRAMS
 OF6778 CARTON 30"5 X 14"2 X 7"8
 0H7275 TEST PROC HSB XFRSW
 OK0155 KIT ENCL 100/200A NON SE AL

GENERAL TOLERANCES UNLESS NOTED

| | |
|---------|-----------|
| ALL XX | ± 0.4 MM |
| XXLX | ± 0.4 MM |
| XXLX | ± 0.15 MM |
| ALL ANG | ± 1° |

THIRD ANGLE PROJECTION

INTERPRET DIM AND TOL PER ASME Y14.5M-1994



TITLE
ASSEMBLY DWG 2-POLE
100A 120/240V

| | | | | |
|-------------|------|---------|---------|--------------------------------|
| ISSUE DATE: | SIZE | CAGE NO | DWG NO | REV |
| | D | N/A | OK0159s | C |
| SCALE 0.450 | | | | WT-KG 37490593.93 SHEET 1 of 1 |

GENERAL ASSEMBLY DRAWING

DRAWING CREATED FROM PROVISIONAL 3D FILE. ECO MODIFICATION TO BE APPLIED TO SOLID MODEL ONLY.

| SH | I/I | REV | D | WINDCHILL VERSION | D.2 | |
|----|--------|-----|-------------|-------------------|-----|--|
| | ITEM # | | PART # | | QTY | DESCRIPTION |
| | 1 | | 0D9618 | | 1 | XFRSW HSB 200A 2P 250V |
| | 2 | | 074908 | | 5 | SCREW HHTT M5-0.8 X 10 BP |
| | 3 | | 0E3375 | | 6 | LUG SLDLSS 250-#6 AL/CU |
| | 4 | | 0F1252 | | 6 | SCREW BHSC 1/4-20 X 3/8 |
| | 5 | | 022097 | | 6 | WASHER LOCK M6-1/4 |
| | 6 | | 0A1495 | | 4 | SCREW HHTT M4-0.7 X 10 BP |
| ** | 7 | | 0K0103 | | 1 | RELAY PNL 12VDC DPDT 10A@240VA |
| ** | 8 | | 0D2572 | | 1 | FUSEBLOCK 30A 600V 3POS W/SQ |
| | 9 | | 073590A | | 3 | FUSE 5A X BUSS |
| ** | 10 | | 0D7393T | | 1 | TERM BLOCK 3P UL 12-20AWG |
| | 11 | | 0K0124 | | 2 | SCREW PHTT M3-0.5 X 25 |
| | 12 | | 0K0108A | | 1 | ASSY-NEUT BLK 200A W/TAP |
| | 13 | | 090388 | | 2 | SCREW HHTT M6-1.0 X 12 ZINC |
| | 14 | | 0K01120ALOR | | 1 | ENCLOSURE 100/200A XFER SW_RAW |
| | 15 | | 0K01130ALOR | | 1 | COVER 100A XFER SWITCH_INST_RAW |
| | 16 | | 0K0114 | | 1 | SUBPLATE, 100/200A XFER SW |
| | 17 | | 0H7274 | | 1 | DECAL NEC COMPLIANCE |
| * | 18 | | 0K1799B | | 1 | DECAL DATA NON SE SW 200A |
| | 19 | | 0A9517 | | 1 | DECAL MANUAL 5A FUSE |
| | 20 | | 0A9457 | | 1 | DECAL, NEUTRAL |
| | 21 | | 0H7917 | | 1 | DECAL CUSTOMER CONN RTS |
| | 22 | | 0K1800 | | 1 | DECAL TEST SEQUENCE 100/200A NON |
| | 23 | | 0G3274 | | 1 | DECAL LIVE CIRCUIT ENG/FRN/SPN |
| | 24 | | 0H6389 | | 1 | DECAL UTILITY LOAD SENSE 240V |
| | 25 | | 0J8202 | | 1 | LUG SLDLSS 2/0-#14X#10-32X.125 |
| | 26 | | 026850 | | 2 | WASHER LOCK EXT 1/4 STL |
| | 27 | | 022473 | | 4 | WASHER FLAT 1/4-M6 ZINC |
| | 28 | | 0E6034 | | 1 | STRAIGHT SPADE CONNECTOR |
| | 29 | | 085296 | | 1 | SCREW HHC 1/4-20 X 1/2 SS |
| | 30 | | 0D6162 | | 2 | RIVET POP .156 X .362 AL |
| | 31 | | 0E6155 | | 1 | PIN ARM EXTENDER |
| | 32 | | 0E6193 | | 1 | BRACKET, ARM EXTENDER |
| | 33 | | 0F2659 | | 2 | SCREW HHTT M3-0.5 X 6 BP |
| | 34 | | 0A2115 | | 1 | WASHER NYLON .257 |
| | 35 | | 0G8411 | | 6 | NUT HEX FL WHIZ 1/4-20 |
| | 36 | | 0H7270 | | 1 | CHANNEL SNAPTRACK 76.2 X 101.2 |
| | 37 | | 0K0220A | | 1 | ASSY LOAD MANAGEMENT CONTROLLER PROGRAMMED |
| * | 38 | | 0K1098 | | 1 | DECAL RTS TRANSFER SW GENERAC |
| | 39 | | 0E6033 | | 4 | 90 DEGREE DN SPADE CONNECTOR |
| | 40 | | 0K0122 | | 1 | WIRING HARNESS HSB (NOT SHOWN) |
| | 41 | | 0E6303 | | 2 | WIRE-A |
| | 42 | | 0E6303B | | 1 | WIRE-E1 3" BLUE |
| | 43 | | 058000E | | 1 | NUT TRIC 1/4-20 X .525 |

--SERIAL NUMBER AND FRONT DECAL PER MODEL
 --SUPPLIED WITH HARNESS ITEM #40

| PART NUMBER | DESCRIPTION | ITEM # 18 | ITEM # 39 |
|-------------|------------------------------|-----------|-----------|
| OK0160 | ASSEMBLY 200A 120/240 NON SE | OK1799B | PER MODEL |
| OK0160A | EXPLODED VIEW DRAWING | N/A | N/A |
| OK0160B | ASSEMBLY 200A 120/240 NON SE | OK1799B | OK1098 |
| OK0160C | ASSEMBLY 200A 120/240 NON SE | OJ3806B | OK1274 |
| OK0160D | ASSEMBLY 200A 120/240 NON SE | OJ3806B | OK1274 |

REFERENCE DRAWINGS
 OK0134 SCHEMATIC/WIRING DIAGRAMS
 OF6778 CARTON 30"5 X 14"2 X 7"8
 0H7275 TEST PROC HSB XFRSW
 OK0115 KIT ENCL 100/200A NON SE AL

GENERAL TOLERANCES UNLESS NOTED

| | |
|-------------------|------------------------|
| ALL XX : ± 0.4 MM | THIRD ANGLE PROJECTION |
| XXX : ± 0.4 MM | |
| XXXX : ± 0.25 MM | |
| ALL ANG : ± | |

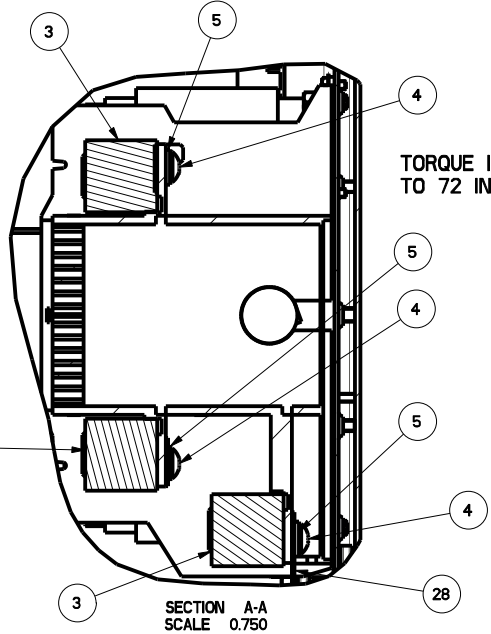
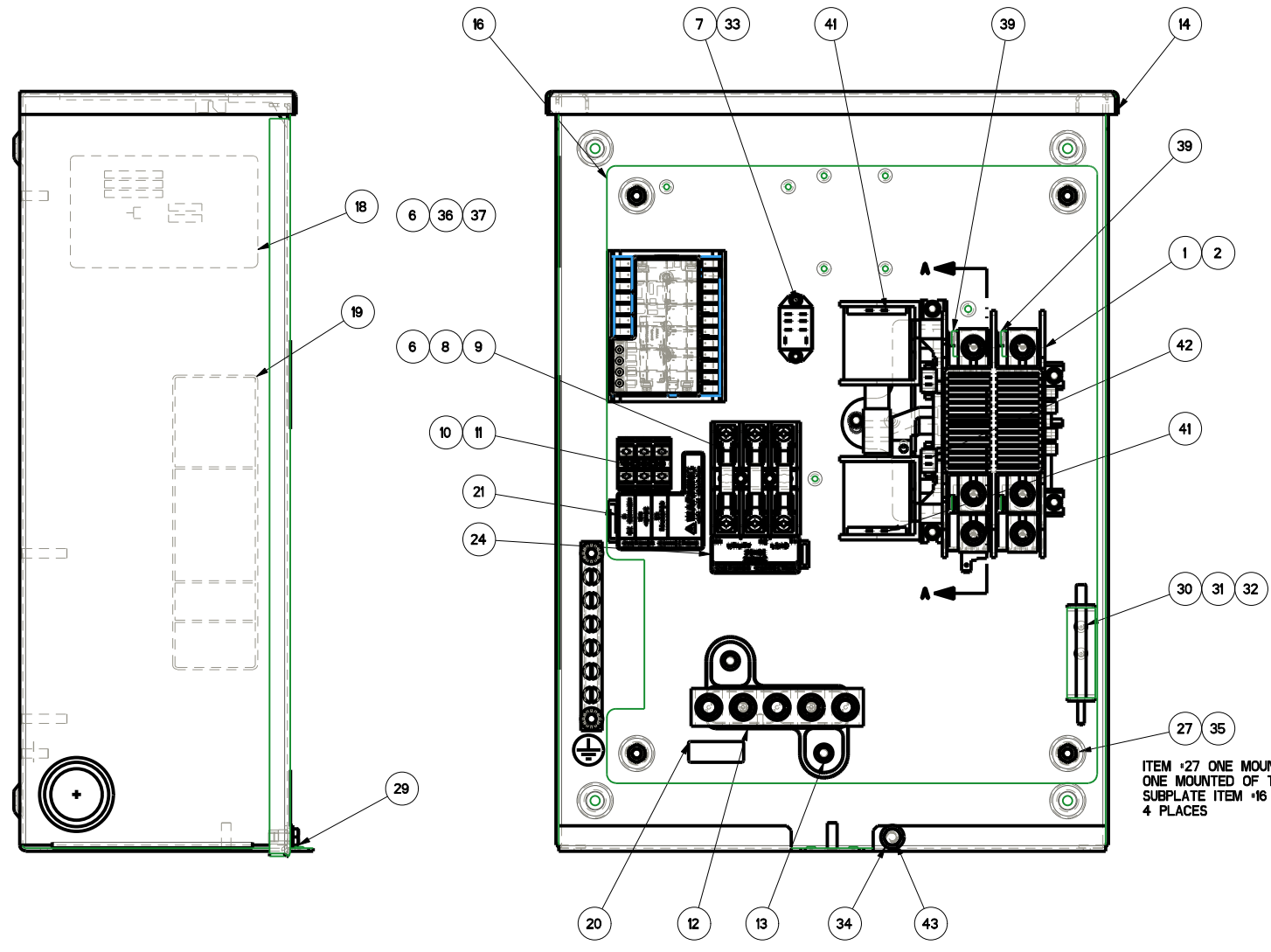
INTERPRET DIM AND TOL PER ASME Y14.5M-1994

GENERAL

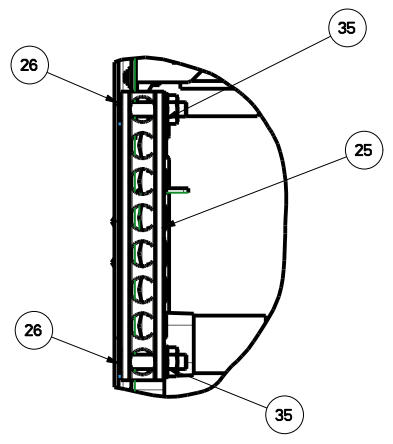
TITLE
 ASSEMBLY DWG 2-POLE
 200A 120/240V

| | | | | |
|-------------|------|---------|---------|--------------------------------|
| ISSUE DATE: | SIZE | CAGE NO | DWG NO | REV |
| | D | N/A | OK0160S | D |
| SCALE 0.450 | | | | WT-KG 37490594.36 SHEET 1 of 1 |

GENERAL ASSEMBLY DRAWING



TORQUE ITEM #4
 TO 72 IN-LBS



DRAWING CREATED FROM PROVENIENCE
 3D FILE. ECO MODIFICATION TO BE
 APPLIED TO SOLID MODEL ONLY.