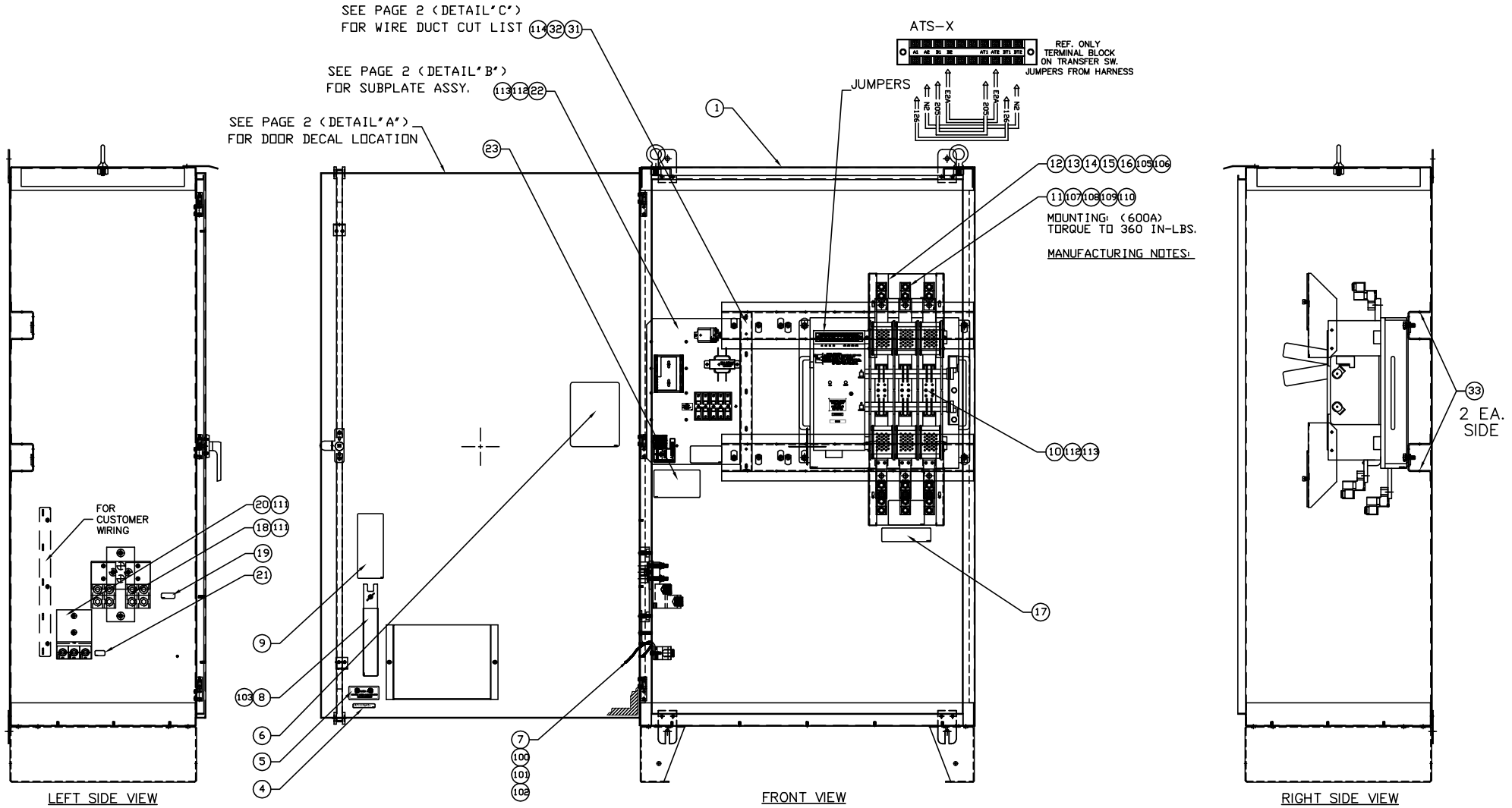


# GROUP C



## EXPLODED VIEW: AV RTSR/V 600A

DRAWING #: 0K0162A

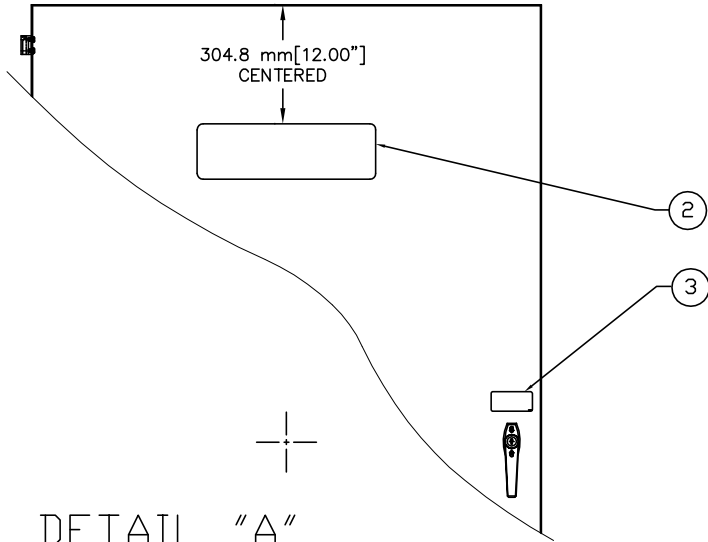
GROUP C

APPLICABLE TO:

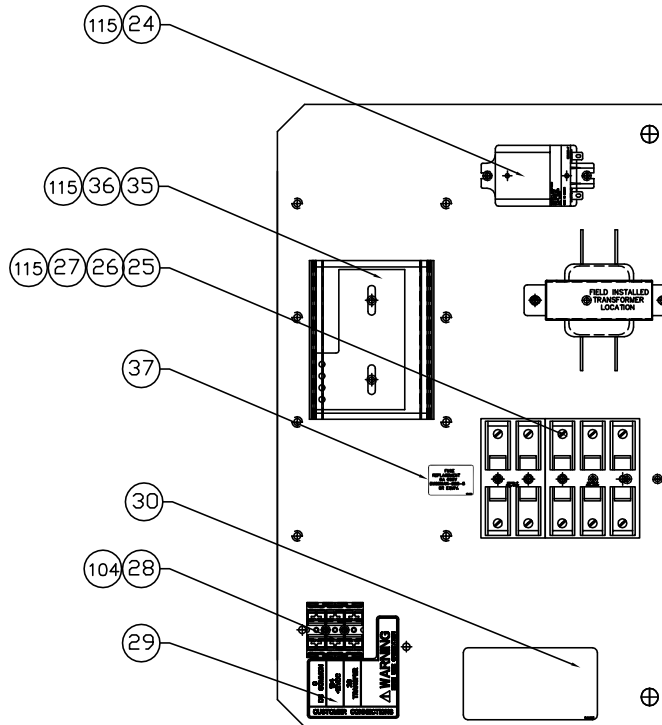
ITEM	PART #	QTY.	DESCRIPTION	ITEM	PART #	QTY.	DESCRIPTION
1	0J0901	1	ENCL NEMA 3R 36 X 60 X 20 RTS	100	038150	2	WASHER FLAT #8 ZINC
2	REF.MODEL	1	DECAL RTS TRANSFER SW NEMA 3R	101	022264	2	WASHER LOCK #8-M4
3	095282	1	DECAL LIVE CIRCUIT	102	051715	2	NUT HEX M4-0.7 G8 YEL CHR
4	0E8594	1	DECAL ENCLOSURE NOTE NEMA 3R	103	087680	1	NUT WING M6-1.0
5	0G1484	1	DECAL, UL CONTROL PANEL ENCL.	104	0K0124	2	SCREW PHTT M3-0.5 X 25 ZINC
6	0J0925	1	DECAL RTS TEST SEQUENCE 600A	105	022152	8	WASHER LOCK #10
7	0536210193	1	ASSY WIRE #0 12.00" (GROUND WIRE)	106	024469	8	SCREW HHTT #10-32 X 3/8 CZ
8	072164	1	MNL HNDL 6-1600A WN (SUPPLIED W/ SWITCH)	107	022195	9	WASHER LOCK 1/2
9	074525	1	DECAL MANUAL OPERATION	108	022196	9	NUT HEX 1/2-13 STEEL
10	072111	1	XFRSW 600A 3P WN600V	109	023316	9	SCREW HHC 1/2-13 X 4 G5
11	080433	9	LUG SLDLSS 50- #1X13/32 AL/CU	110	026902	7	SCREW HHTT #8-32 X 1/4 CZ
12	074349A	2	SW CVR WN 600A 3P	111	067989	4	NUT HEX FL WHIZ M8-1.25
13	074351	2	CVR BKRT 600-1600A RH	112	042911	6	SCREW HHC M10-1.5 X 30 G8.8
14	074351A	2	CVR BKRT 600-1600A LH	113	046526	6	WASHER LOCK M10
15	063986	4	KNOB, COVER HOLD-DOWN	114	091477	2	RIVET WIRE DUCT MNT
16	0C8308	2	DECAL TERMINAL SHOCK HAZARD	115	0C2265	8	SCREW PHTT M4-0.7 X 12 ZP
17	064510	1	DECAL TERMINAL NOTE				
18	0D8700	1	ASSY NEUTRAL BLK 600-1000A ATS				
19	0A9457	1	DECAL NEUTRAL				
20	0D6584	1	ASSY GRD. TERM. 600-2600A				
21	067210A	1	DECAL GROUND LUG				
22	0J09080ST14	1	SUB-PLATE RTS 600-800A				
23	REF.MODEL	1	PLATE DATA - RTS				
24 *	0K0103	1	RELAY PNL 12VDC DPDT 10A@240VA				
25 *	0D2806	1	FUSEBLOCK 30A 600V 2 POS W/SQ				
26 *	0D2572	1	FUSEBLOCK 30A 600V 3 POS W/SQ				
27	073590A	5	FUSE 5A X BUS				
28 *	0D7393T	1	TERM BLOCK 3P UL 12-20AWG				
29	0H7917	1	DECAL CUSTOMER CONN.				
30	054199	1	DECAL DANGER HIGH VOLTAGE				
31	091472	1	DUCT WIRING 1 X 1.5 (17" LG)				
32	091472A	1	COVER WIRE DUCT 1 IN (17" LG)				
33	0F6685	4	TIE-WRAP MOUNT(FIR TREE SYTLE)				
34 *	0K3672	1	WIRE HARNESS RTS 1 PHASE				
35	0H7270	1	CHANNEL SNAPTRACK 7.6.2 X 101.2				
36	0K0220A	1	ASSY LOAD MGMT CONTROLLER				
37	0E4415G	1	DECAL, FUSE RATING 5A 600V				

\* DESIGNATES ITEMS STRUCTURED IN WIRE HARNESS  
(NOT SHOWN)

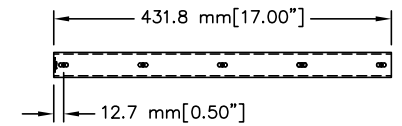
# GROUP C



DETAIL "A"  
DOOR-FRONT  
DECAL LOCATION  
SCALE 1.5X



DETAIL "B"  
SUB-PLATE  
SCALE 4.0X



DETAIL "C"  
WIRE DUCT  
SEE ENGRG. FOR CUT LIST  
SCALE 2.0X

EXPLODED VIEW: AV RTSRV 600A

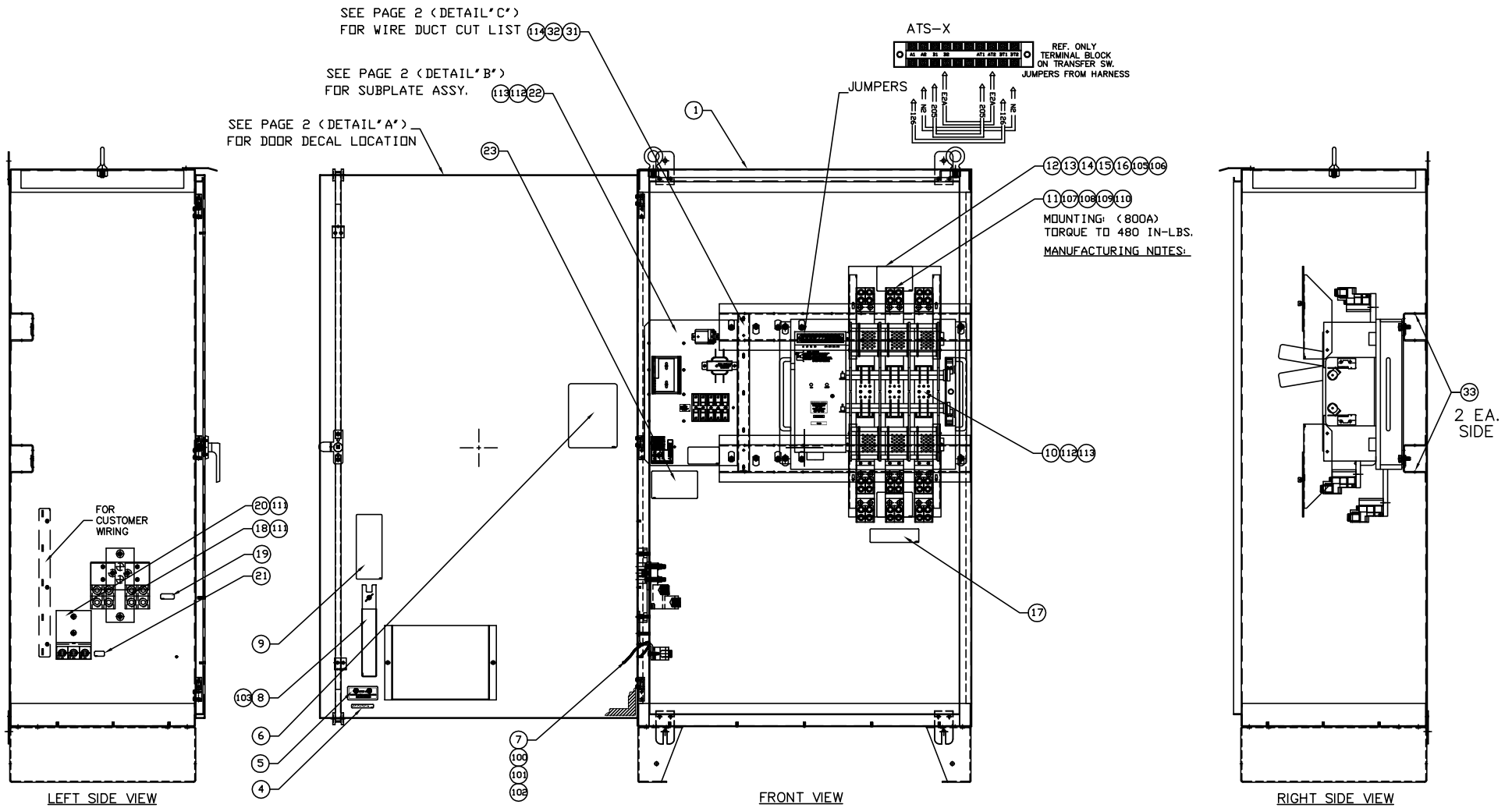
DRAWING #: 0K0162A

APPLICABLE TO:

GROUP C

**THIS PAGE IS LEFT INTENTIONALLY BLANK**

# GROUP C



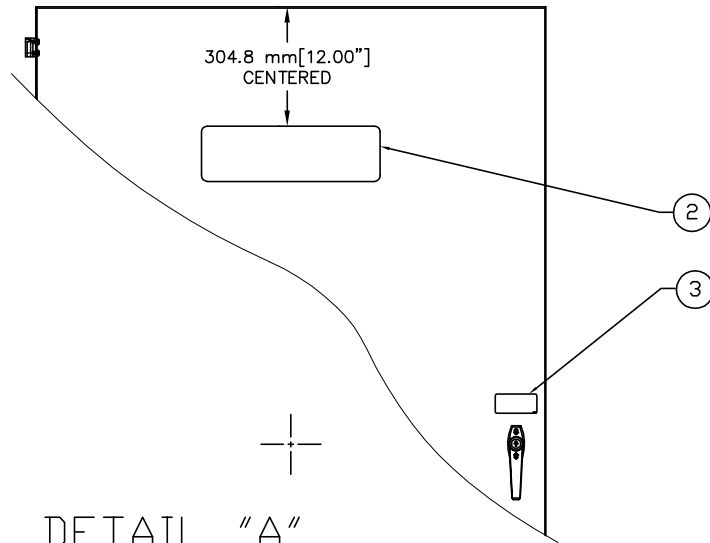
APPLICABLE TO:

ITEM	PART #	QTY.	DESCRIPTION
1	0J0901	1	ENCL NEMA 3R 36 X 60 X 20 RTS
2	REF.MODEL	1	DECAL RTS TRANSFER SW NEMA 3R
3	095282	1	DECAL LIVE CIRCUIT
4	0E8594	1	DECAL ENCLOSURE NOTE NEMA 3R
5	0G1484	1	DECAL UL CONTROL PANEL ENCL
6	0J0926	1	DECAL RTS TEST SEQUENCE 800A
7	0536210193	1	ASSY WIRE #0 12.00" (GROUND WIRE)
8	072164	1	MNL HNDL 6-1600A WN (SUPPLIED W/ SWITCH)
9	074525	1	DECAL MANUAL OPERATION
10	072112	1	XFRSW 800A 3P WN60 0V
11	063925	9	LUG SLDLSS 500- 4/0X17/32 AL/CU
12	074349C	2	SW CVR WN 800/1000A 3P
13	074351	2	CVR BKRT 600-1600 A RH
14	074351A	2	CVR BKRT 600-1600 A LH
15	063986	4	KNOB, COVER HOLD-DOWN
16	0C8308	2	DECAL TERMINAL SHOCK HAZARD
17	064510	1	DECAL TERMINAL NOTE
18	0D8700	1	ASSY NEUTRAL BLK 600-1000A ATS
19	0A9457	1	DECAL NEUTRAL
20	0D6584	1	ASSY GRD. TERM. 600-2600A
21	067210A	1	DECAL GROUND LUG
22	0J09080ST14	1	SUB-PLATE RTS 600-800A
23	REF.MODEL	1	PLATE DATA - RTS
24*	063617	1	RELAY PNL 12VDC DPDT 10A@240VA
25*	0D2806	1	FUSEBLOCK 30A 600V 2 POS W/S Q
26*	0D2572	1	FUSEBLOCK 30A 600V 3 POS W/S Q
27	073590A	5	FUSE 5A X BUSS
28*	0D7393T	1	TERM BLOCK 3P UL 12-20AWG
29	0H7917	1	DECAL CUSTOMER CONN.
30	054199	1	DECAL DANGER HIGH VOLTAGE
31	091472	1	DUCT WIRING 1 X 1.5 (17"LG)
32	091472A	1	COVER WIRE DUCT 1 IN (17"LG)
33	0F6685	4	TIE-WRAP MOUNT(FIR TREE SYTLE)
34*	0K3672	1	WIRE HARNESS RTS 1 PHASE
35	0H7270	1	CHANNEL SNAPTRACK 7.6.2 X 101.2
36	0K0220A	1	ASSY LOAD MGMT CONTROLLER
37	0E4415G	1	DECAL FUSE RATING 5A 600V

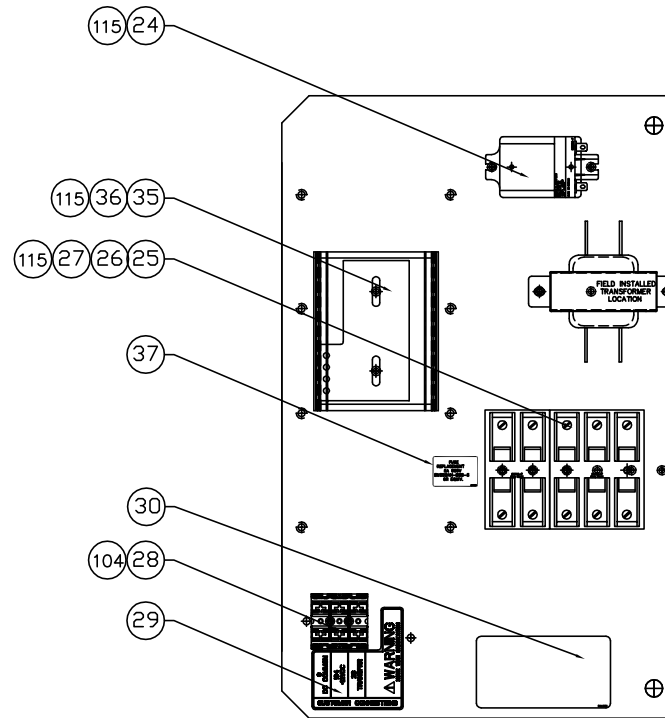
ITEM	PART #	QTY.	DESCRIPTION
100	038150	2	WASHER FLAT #8 ZINC
101	022264	2	WASHER LOCK #8-M4
102	051715	2	NUT HEX M4-0.7 G8 YEL CHR
103	087680	1	NUT WING M6-1.0
104	0K0124	2	SCREW PHTT M3-0.5 X 25 ZINC
105	022152	8	WASHER LOCK #10
106	024469	8	WASHER SHAKEPROOF EXT 5/16 STL
107	022302	18	WASHER LOCK 7/16
108	026209	18	SCREW HHC 7/16-14 X 1-3/4 G5
109	022509	18	NUT HEX 7/16-14 STEEL
110	026902	7	SCREW HHTT #8-32 X 1/4 CZ
111	067989	4	NUT HEX FL WHIZ M8-1.25
112	042911	6	SCREW HHC M10-1.5 X 30 G8.8
113	046526	6	WASHER LOCK M10
114	091477	2	RIVET WIRE DUCT MNT
115	0C2265	8	SCREW PHTT M4-0.7 X 12 ZP

\* DESIGNATES ITEMS STRUCTURED IN WIRE HARNESS  
(NOT SHOWN)

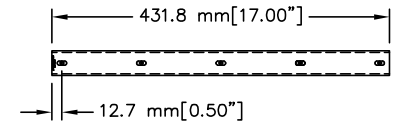
# GROUP C



DETAIL "A"  
 DOOR-FRONT  
 DECAL LOCATION  
 SCALE 1.5X



DETAIL "B"  
 SUB-PLATE  
 SCALE 4.0X



DETAIL "C"  
 WIRE DUCT  
 SEE ENGRG. FOR CUT LIST  
 SCALE 2.0X

EXPLODED VIEW: AV RTST/V 800A

DRAWING #: 0K0163A

APPLICABLE TO:

GROUP C

**THIS PAGE IS LEFT INTENTIONALLY BLANK**