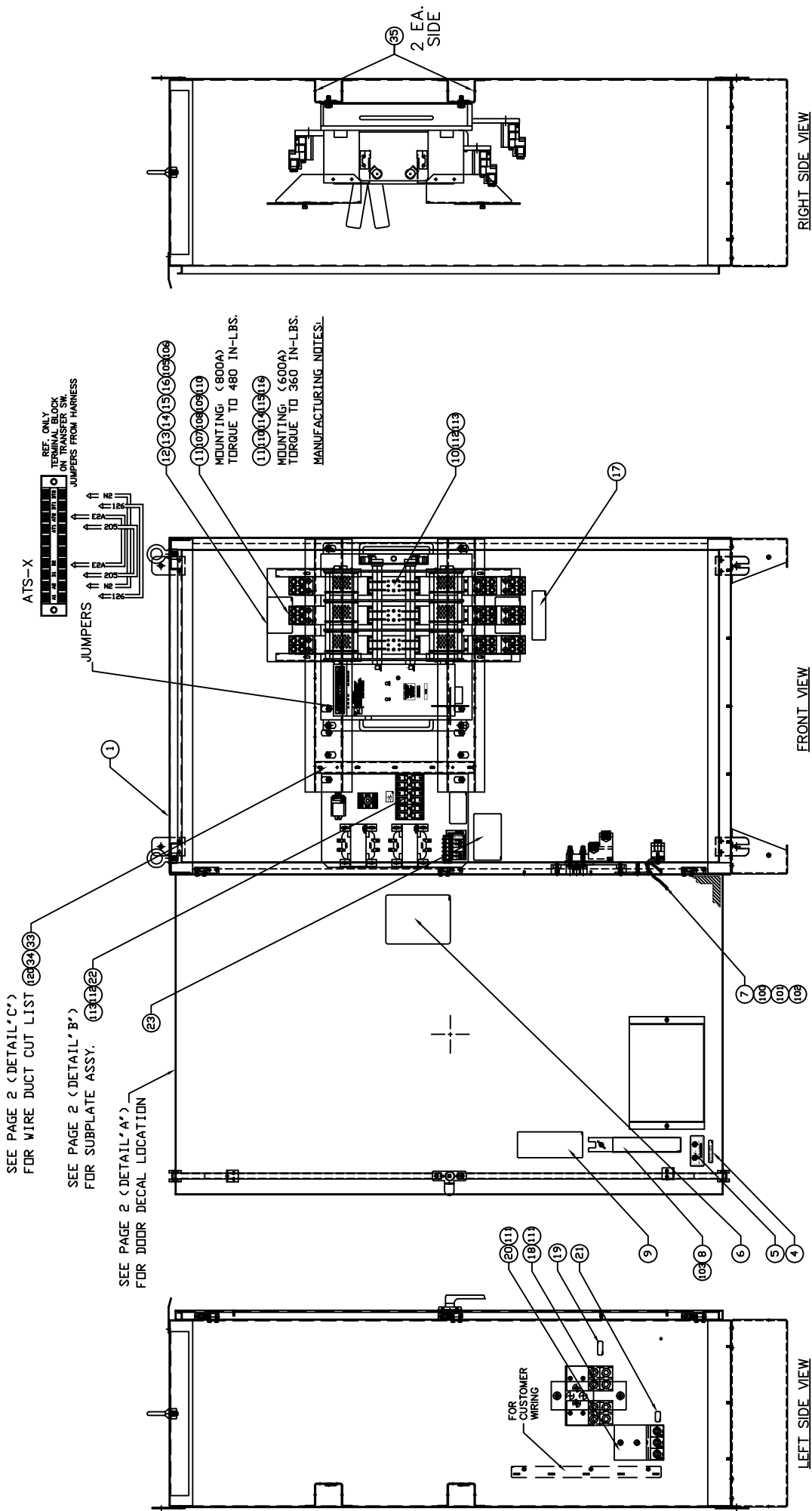


# GROUP C



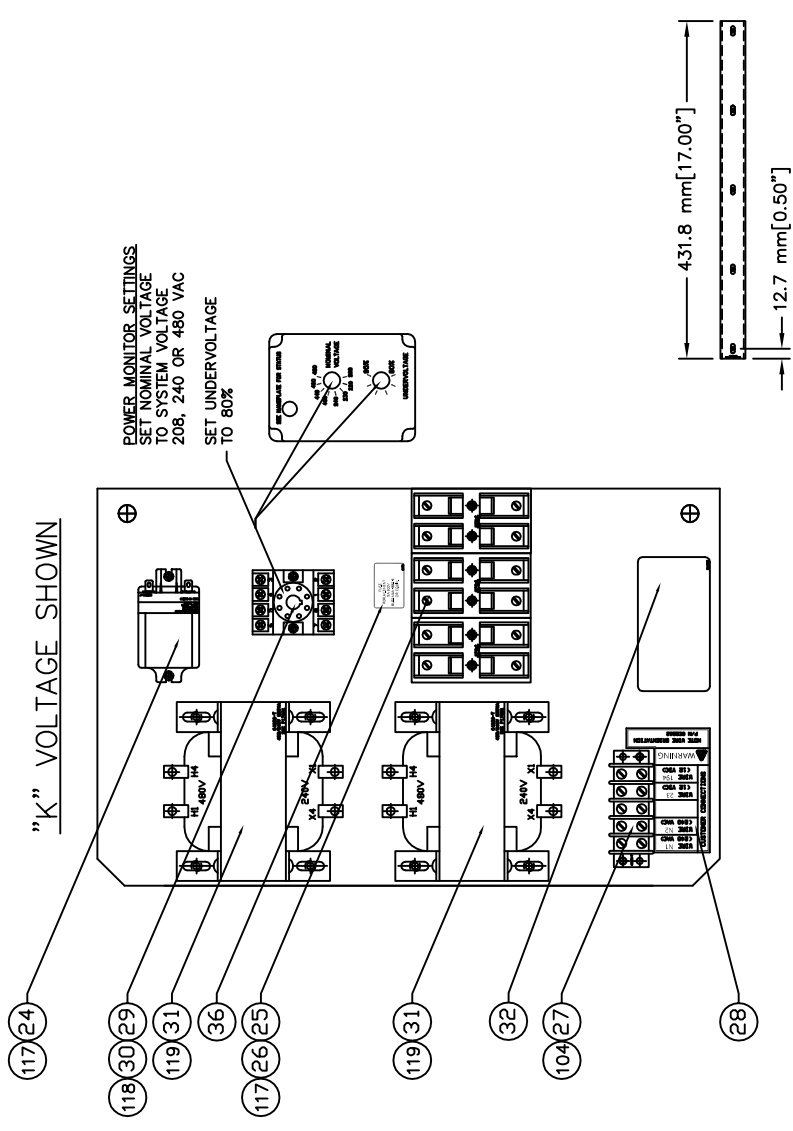
EXPLODED VIEW:  
AV RTS 600-800A  
DRAWING #: 0J0900A

APPLICABLE TO:

ITEM	PART #	QTY.	DESCRIPTION	ITEM	PART #	QTY.	DESCRIPTION
1	0J0901	1	ENCL NEMA 3R 36 X 60 X 20 RTS	100	038150	2	WASHER FLAT #8 ZINC
2	REF.MODEL	1	DECAL RTS TRANSFER SW NEMA 3R	101	022264	2	WASHER LOCK #8-M4
3	095282	1	DECAL LIVE CIRCUIT	102	051715	2	NUT HEX M4-0.7 G8 YEL CHR
4	0E8594	1	DECAL ENCLOSURE NOTE NEMA 3R	103	087680	1	NUT WING M6-1.0
5	0G1484	1	DECAL UL CTRL PANEL ENCL	104	0A1661	2	RIVET POP .156 X .675 AL
6	0J0925	1	DECAL RTS TEST SEQUENCE 600A	105	022152	8	WASHER LOCK #10
	0J0926	1	DECAL RTS TEST SEQUENCE 800A	106	024469	8	SCREW HHTT #10-32 X 3/8 CZ
7	0536210193	1	ASSY WIRE #0 12.00" (GROUND WIRE)	107	022302	18	WASHER LOCK 7/16
8	072164	1	MNL HNDL 6-1600A WN (SUPPLIED W/ SWITCH)	108	026209	18	SCREW HHC 7/16-14 X 1-3/4 G5
9	074525	1	DECAL MANUAL OPERATION	109	022509	18	NUT HEX 7/16-14 STEEL
10	072111	1	XFRSW 600A 3P WN600V	110	026902	7	SCREW HHTT #8-32 X 1/4 CZ
	072112	1	XFRSW 800A 3P WN600V	111	067989	4	NUT HEX FL WHIZ M8-1.25
11	080433	9	LUG SLDLSS 500- #1X13/32 AL/CU	112	042911	6	SCREW HHC M10-1.5 X 30 G8.8
	063925	9	LUG SLDLSS 500- 4/0X17/32 AL/CU	113	046526	6	WASHER LOCK M10
12	074349A	2	SW CVR WN 600A 3P	114	022195	9	WASHER LOCK 1/2
	074349C	2	SW CVR WN 800/1000A 3P	115	022196	9	NUT HEX 1/2-13 STEEL
	074351	2	CVR BKRT 600-1600A RH	116	023316	9	SCREW HHC 1/2-13 X 4 G5
13	074351A	2	CVR BKRT 600-1600A LH	117	0C2265	REF.	SCREW PHTT M4-0.7 X 12 ZP
14	074351A	2	CVR BKRT 600-1600A LH	118	0C2695	REF.	SCREW HHTT M4-0.7 X 20 BP
15	063986	4	KNOB, COVER HOLD-DOWN	119	0C2267	8	SCREW HHTT M5-0.8 X 12 BP
16	0C8308	2	DECAL TERMINAL SHOCK HAZARD	120	091477	2	RIVET WIRE DUCT MNT
17	064510	1	DECAL TERMINAL NOTE				
18	0D8700	1	ASSY NEUTRAL BLK 600-1000A ATS				
19	0A9457	1	DECAL NEUTRAL				
20	0D6584	1	ASSY GRD. TERM. 600-2600A				
21	067210A	1	DECAL GROUND LUG				
22	0J09080ST14	1	SUB-PLATE RTS 600-800A				
23	REF.MODEL	1	PLATE DATA - RTS				
24 *	063617	1	RELAY PNL 12VDC DPDT 10A@240VA				
25 *	0D2806	REF.	FUSEBLOCK 30A 600V 2 POS W/SQ				
26	073590A	REF.	FUSE 5A X BUSS				
27 *	048850	1	BLCK TERM 20A 5 X 6 X 1100V				
28	0C2282	1	DECAL TERMINAL STRIP				
29	063306	REF.	POWER MONITOR 3-PH 208-480V				
30 *	0F6760	1	SOCKET RELAY 8P 600V-10A				
31	064126	REF.	TRANSFRM 240/480V-120/240V				
32	054199	1	DECAL DANGER HIGH VOLTAGE				
33	091472	1	DUCT WIRING 1 X 1.5 (33"LG)				
34	091472A	1	COVER WIRE DUCT 1 IN (33"LG)				
35	0F6685	4	TIE-WRAP MOUNT(FIR TREE SYTLE)				
36	0E4415G	1	DECAL, FUSE RATING 5A 600V				
37 *	0J0918	1	WIRE HARNESS RTS 1 PHASE				
	0J0919	1	WIRE HARNESS RTS 3 PHASE				
	0J0920	1	WIRE HARNESS RTS K VOLTAGE				
38	10000037322	1	DECAL PROP 65 EN/SP/FR				

\* DESIGNATES ITEMS STRUCTURED IN WIRE HARNESS (NOT SHOWN)

# GROUP C

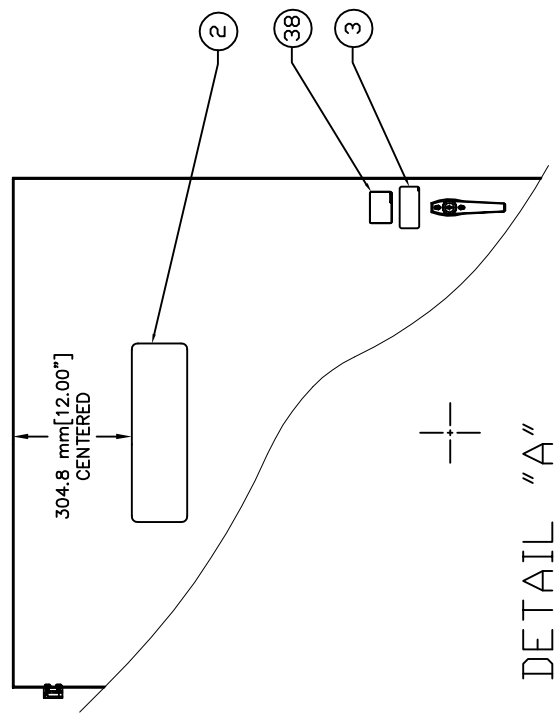


DETAIL "C"

WIRE DUCT  
SEE ENGRG. FOR CUT LIST  
SCALE 2.0X

DETAIL "B"

SUB-PLATE  
SCALE 4.0X  
K VOLTAGE SHOWN



DETAIL "A"

DOOR-FRONT  
DECAL LOCATION  
SCALE 1.5X

EXPLODED VIEW:  
AV RTS 600-800A  
DRAWING #: 0J0900A

EXPLODED VIEW: AV RTS 600-800A

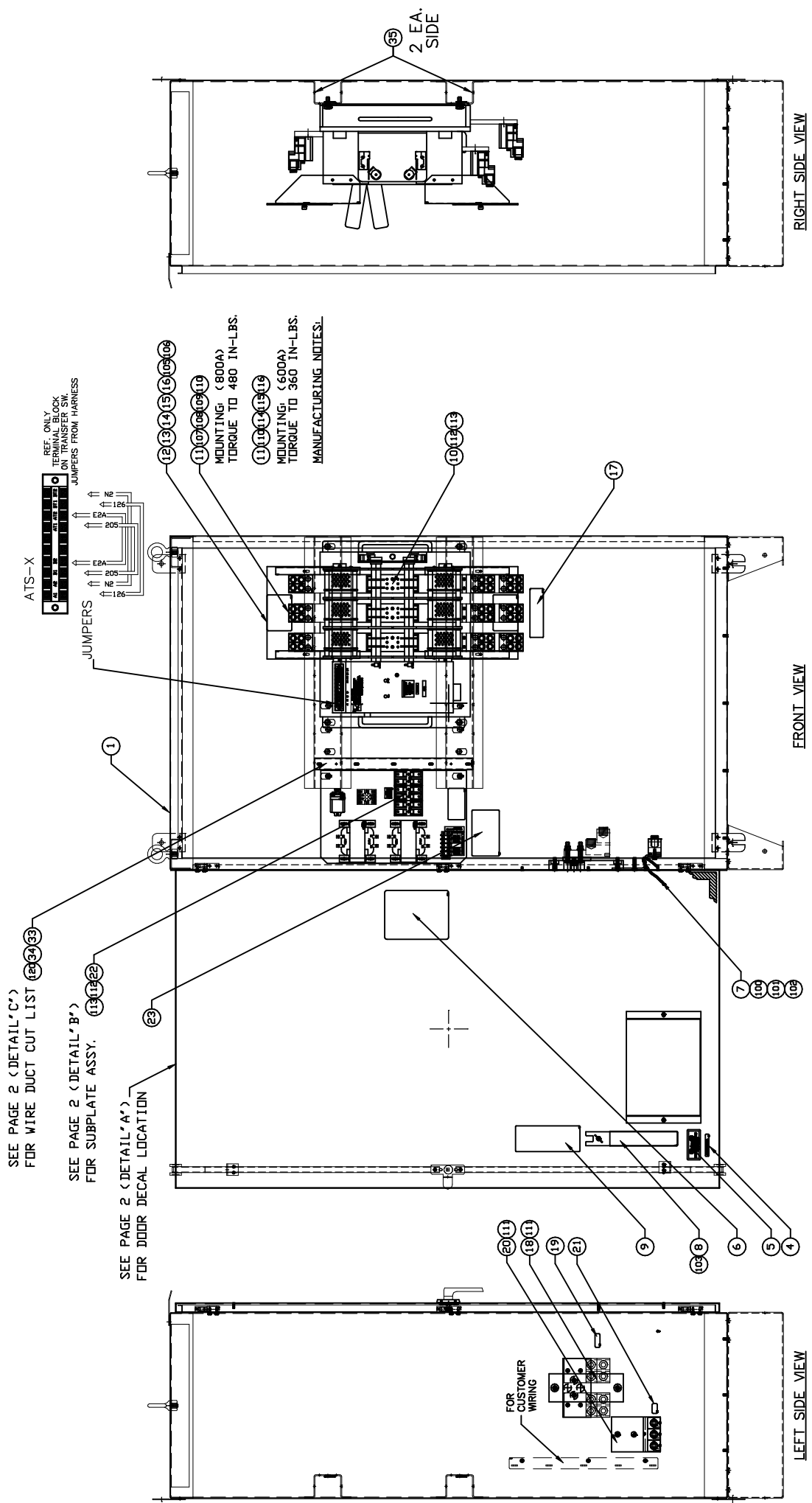
DRAWING #: 0J0900A

APPLICABLE TO:

GROUP C

**THIS PAGE IS LEFT INTENTIONALLY BLANK**

# GROUP C



EXPLODED VIEW:  
AV RTS 600-800A  
DRAWING #: 0J0900A

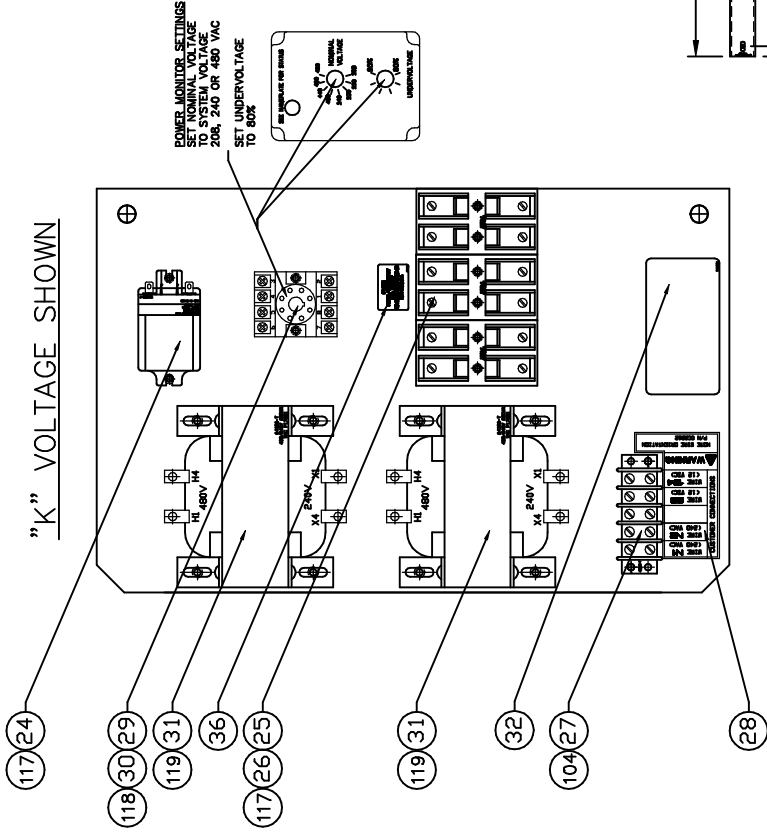
APPLICABLE TO:

ITEM	PART #	QTY.	DESCRIPTION
1	0J0901	1	ENCL NEMA 3R 36 X 60 X 20 RTS
2	0F6521	1	DECAL RTS TRANSFER SW NEMA 3R
3	095282	1	DECAL LIVE CIRCUIT
4	0E8594	1	DECAL ENCLOSURE NOTE NEMA 3R
5	0G1484	1	DECAL UL CTRL PANEL ENCL
6	0J0925	1	DECAL RTS TEST SEQUENCE 600A
	0J0926	1	DECAL RTS TEST SEQUENCE 800A
7	0536210193	1	ASSY WIRE #0 12 00" (GROUND WIRE)
8	072164	1	MNL HNDL 6-1600A WN (SUPPLIED W/SWITCH)
9	074525	1	DECAL MANUAL OPERATION
10	072111	1	XFRSW 600A 3P WN600V
	072112	1	XFRSW 800A 3P WN600V
11	080433	9	LUG SL DLSS 500- #1X13/32 AL/CU
	063925	9	LUG SL DLSS 500- 4/0X17/32 AL/CU
12	074349A	2	SW CVR WN 600A 3P
	074349C	2	SW CVR WN 800/1000A 3P
13	074351	2	CVR BKRT 600-1600A RH
14	074351A	2	CVR BKRT 600-1600A LH
15	063986	4	KNOB, COVER HOLD-DOWN
16	0C8308	2	DECAL TERMINAL SHOCK HAZARD
17	064510	1	DECAL TERMINAL NOTE
18	0D8700	1	ASSY NEUTRAL BLK 600-1000A ATS
19	0A9457	1	DECAL NEUTRAL
20	0D6584	1	ASSY GRD. TERM. 600-2600A
21	067210A	1	DECAL GROUND LUG
22	0J09080ST14	1	SUB-PLATE RTS 600-800A
23	0J2328\$	1	PLATE DATA - RTS
24*	063617	1	RELAY PNL 12VDC DPDT 10A@240VA
25*	0D2806	REF.	FUSE BLOCK 30A 600V 2 POS W/SQ
26	073590A	REF.	FUSE 5A X BUSS
27*	048850	1	BLCKT ERM 20A 5X 6 X 1 100V
28	0C2282	1	DECAL TERMINAL STRIP
29	063306	REF.	POWER MONITOR 3-PH 208-480V
30*	0F6760	1	SOCKET RELAY 8P 600V-10A
31	064126	REF.	TRANSFORM 240/480V-120/240V
32	064199	1	DECAL DANGER HIGH VOL TAGE
33	091472	1	DUCT WIRING 1 X 1.5 (33" LG)
34	091472A	1	COVER WIRE DUCT 1 IN (33" LG)
35	0F6685	4	TIE-WRAP MOUNT (FIR TREE SYTLE)
36	0E4415G	1	DECAL, FUSE RATING 5A 600V
37*	0J0918	1	WIRE HARNESS RTS 1 PHASE
	0J0919	1	WIRE HARNESS RTS 3 PHASE
	0J0920	1	WIRE HARNESS RTS K VOLTAGE

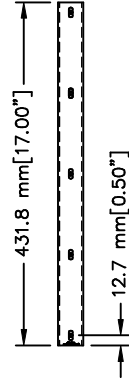
ITEM	PART #	QTY.	DESCRIPTION
100	038150	2	WASHER FLAT #8 ZINC
101	022264	2	WASHER LOCK #8-M4
102	051715	2	NUT HEX M4-0.7 G8 YEL CHR
103	087680	1	NUT WING M 6-1.0
104	0A1661	2	RIVET POP .156 X .675 AL
105	022152	8	WASHER LOCK #10
106	024469	8	SCREW HHTT #10-32 X 3/8 CZ
107	023302	18	WASHER LOCK 7/16
108	026209	18	SCREW HHC 7/16-14 X 1-3/4 G5
109	022509	18	NUT HEX 7/16-14 STEEL
110	026902	7	SCREW HHTT #8-32 X 1/4 CZ
111	067989	4	NUT HEX FL WHIZ M8-1.25
112	042911	6	SCREW HHC M10-1.5 X 30 G8 8
113	046526	6	WASHER LOCK M10
114	022195	9	WASHER LOCK 12
115	022196	9	NUT HEX 1/2-13 STEEL
116	023316	9	SCREW HHC 1/2-13 X 4 G5
117	0C2265	REF.	SCREW PHTT M4-0.7 X 12 ZP
118	0C2695	REF.	SCREW HHTT M 4.0.7 X 20 BP
119	0C2267	8	SCREW HHTT M 50.8 X 12 BP
120	091477	2	RIVET WIRE DUCT MNT

\* DESIGNATES ITEMS STRUCTURED IN WIRE HARNESS (NOT SHOWN)

# GROUP C



"K" VOLTAGE SHOWN

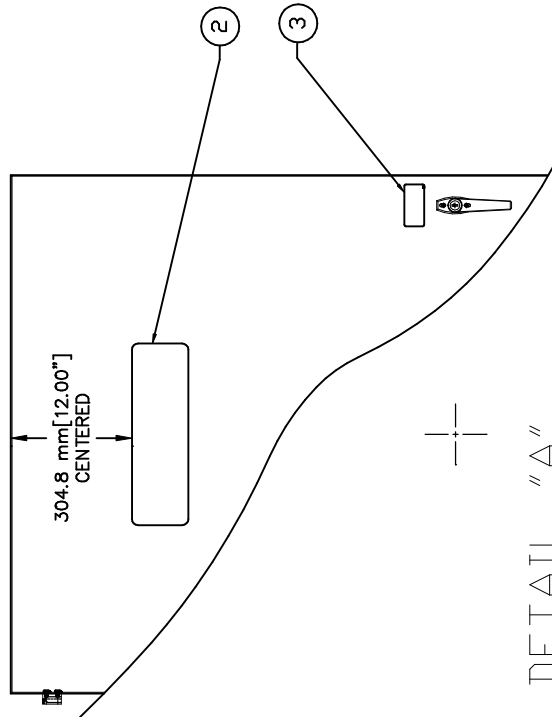


DETAIL "C"

WIRE DUCT  
SEE ENGRG. FOR CUT LIST  
SCALE 2.0X

DETAIL "B"

SUB-PLATE  
SCALE 4.0X  
K VOLTAGE SHOWN



DETAIL "A"  
DOOR-FRONT  
DECAL LOCATION  
SCALE 1.5X

EXPLODED VIEW: AV RTS 600-800A

DRAWING #: 0J0900A

APPLICABLE TO:

GROUP C

**THIS PAGE IS LEFT INTENTIONALLY BLANK**