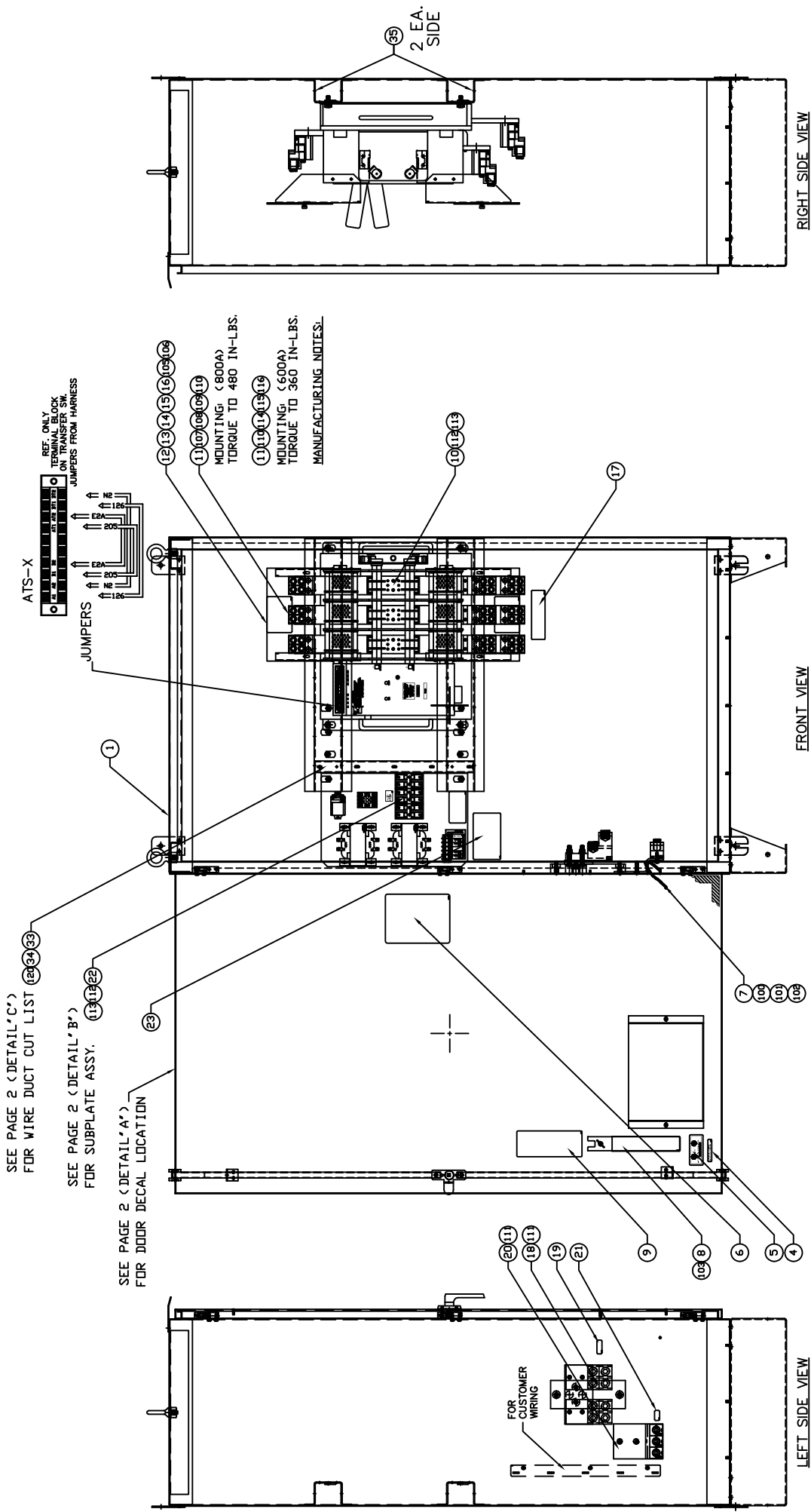


GROUP C



EXPLODED VIEW:
AV RTS 600-800A
DRAWING #: 0J0900A

APPLICABLE TO:

| ITEM | PART # | QTY. | DESCRIPTION | ITEM | PART # | QTY. | DESCRIPTION |
|------|-------------|------|--|------|--------|------|------------------------------|
| 1 | 0J0901 | 1 | ENCL NEMA 3R 36 X 60 X 20 RTS | 100 | 038150 | 2 | WASHER FLAT #8 ZINC |
| 2 | REF.MODEL | 1 | DECAL RTS TRANSFER SW NEMA 3R | 101 | 022264 | 2 | WASHER LOCK #8-M4 |
| 3 | 095282 | 1 | DECAL LIVE CIRCUIT | 102 | 051715 | 2 | NUT HEX M4-0.7 G8 YEL CHR |
| 4 | 0E8594 | 1 | DECAL ENCLOSURE NOTE NEMA 3R | 103 | 087680 | 1 | NUT WING M6-1.0 |
| 5 | 0G1484 | 1 | DECAL UL CTRL PANEL ENCL | 104 | 0A1661 | 2 | RIVET POP .156 X .675 AL |
| 6 | 0J0925 | 1 | DECAL RTS TEST SEQUENCE 600A | 105 | 022152 | 8 | WASHER LOCK #10 |
| | 0J0926 | 1 | DECAL RTS TEST SEQUENCE 800A | 106 | 024469 | 8 | SCREW HHTT #10-32 X 3/8 CZ |
| 7 | 0536210193 | 1 | ASSY WIRE #0 12.00" (GROUND WIRE) | 107 | 022302 | 18 | WASHER LOCK 7/16 |
| 8 | 072164 | 1 | MNL HNDL 6-1600A WN (SUPPLIED W/ SWITCH) | 108 | 026209 | 18 | SCREW HHC 7/16-14 X 1-3/4 G5 |
| 9 | 074525 | 1 | DECAL MANUAL OPERATION | 109 | 022509 | 18 | NUT HEX 7/16-14 STEEL |
| 10 | 072111 | 1 | XFRSW 600A 3P WN600V | 110 | 026902 | 7 | SCREW HHTT #8-32 X 1/4 CZ |
| | 072112 | 1 | XFRSW 800A 3P WN600V | 111 | 067989 | 4 | NUT HEX FL WHIZ M8-1.25 |
| 11 | 080433 | 9 | LUG SLDLSS 500- #1X13/32 AL/CU | 112 | 042911 | 6 | SCREW HHC M10-1.5 X 30 G8.8 |
| | 063925 | 9 | LUG SLDLSS 500- 4/0X17/32 AL/CU | 113 | 046526 | 6 | WASHER LOCK M10 |
| 12 | 074349A | 2 | SW CVR WN 600A 3P | 114 | 022195 | 9 | WASHER LOCK 1/2 |
| | 074349C | 2 | SW CVR WN 800/1000A 3P | 115 | 022196 | 9 | NUT HEX 1/2-13 STEEL |
| | 074351 | 2 | CVR BKRT 600-1600A RH | 116 | 023316 | 9 | SCREW HHC 1/2-13 X 4 G5 |
| 13 | 074351A | 2 | CVR BKRT 600-1600A LH | 117 | 0C2265 | REF. | SCREW PHTT M4-0.7 X 12 ZP |
| 14 | 074351A | 2 | CVR BKRT 600-1600A LH | 118 | 0C2695 | REF. | SCREW HHTT M4-0.7 X 20 BP |
| 15 | 063986 | 4 | KNOB, COVER HOLD-DOWN | 119 | 0C2267 | 8 | SCREW HHTT M5-0.8 X 12 BP |
| 16 | 0C8308 | 2 | DECAL TERMINAL SHOCK HAZARD | 120 | 091477 | 2 | RIVET WIRE DUCT MNT |
| 17 | 064510 | 1 | DECAL TERMINAL NOTE | | | | |
| 18 | 0D8700 | 1 | ASSY NEUTRAL BLK 600-1000A ATS | | | | |
| 19 | 0A9457 | 1 | DECAL NEUTRAL | | | | |
| 20 | 0D6584 | 1 | ASSY GRD. TERM. 600-2600A | | | | |
| 21 | 067210A | 1 | DECAL GROUND LUG | | | | |
| 22 | 0J09080ST14 | 1 | SUB-PLATE RTS 600-800A | | | | |
| 23 | REF.MODEL | 1 | PLATE DATA - RTS | | | | |
| 24 * | 063617 | 1 | RELAY PNL 12VDC DPDT 10A@240VA | | | | |
| 25 * | 0D2806 | REF. | FUSEBLOCK 30A 600V 2 POS W/SQ | | | | |
| 26 | 073590A | REF. | FUSE 5A X BUSS | | | | |
| 27 * | 048850 | 1 | BLCK TERM 20A 5 X 6 X 1100V | | | | |
| 28 | 0C2282 | 1 | DECAL TERMINAL STRIP | | | | |
| 29 | 063306 | REF. | POWER MONITOR 3-PH 208-480V | | | | |
| 30 * | 0F6760 | 1 | SOCKET RELAY 8P 600V-10A | | | | |
| 31 | 064126 | REF. | TRANSFRM 240/480V-120/240V | | | | |
| 32 | 054199 | 1 | DECAL DANGER HIGH VOLTAGE | | | | |
| 33 | 091472 | 1 | DUCT WIRING 1 X 1.5 (33"LG) | | | | |
| 34 | 091472A | 1 | COVER WIRE DUCT 1 IN (33"LG) | | | | |
| 35 | 0F6685 | 4 | TIE-WRAP MOUNT(FIR TREE SYTLE) | | | | |
| 36 | 0E4415G | 1 | DECAL, FUSE RATING 5A 600V | | | | |
| 37 * | 0J0918 | 1 | WIRE HARNESS RTS 1 PHASE | | | | |
| | 0J0919 | 1 | WIRE HARNESS RTS 3 PHASE | | | | |
| | 0J0920 | 1 | WIRE HARNESS RTS K VOLTAGE | | | | |
| 38 | 10000037322 | 1 | DECAL PROP 65 EN/SP/FR | | | | |

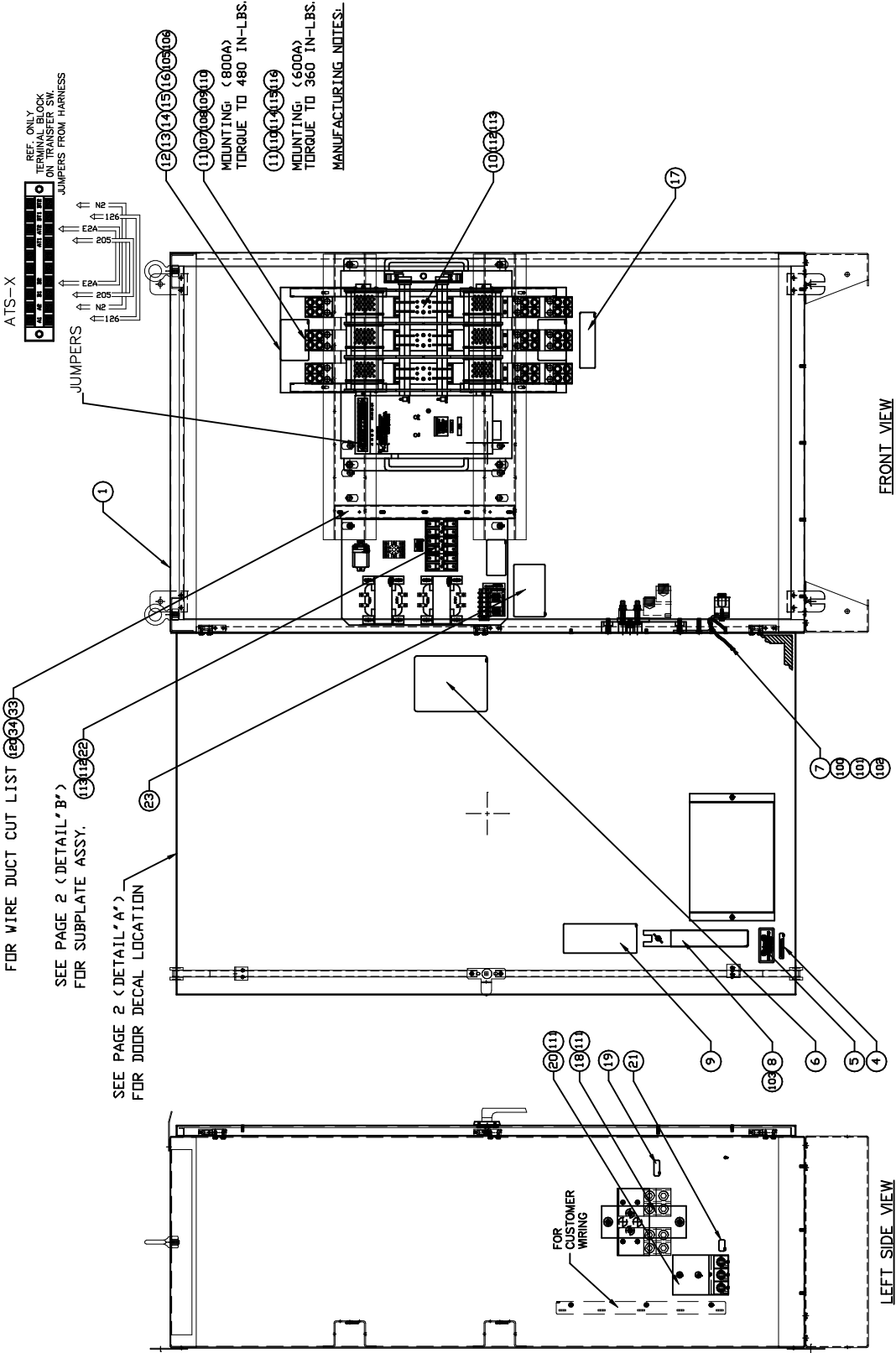
* DESIGNATES ITEMS STRUCTURED IN WIRE HARNESS (NOT SHOWN)

GROUP C

SEE PAGE 2 (DETAIL 'C')
FOR WIRE DUCT CUT LIST (18)(24)(25)

SEE PAGE 2 (DETAIL 'B')
FOR SUBPLATE ASSY. (13)(14)(22)

SEE PAGE 2 (DETAIL 'A')
FOR DOOR DECAL LOCATION



EXPLODED VIEW:
AV RTS 600-800A
DRAWING #: 0J0900A

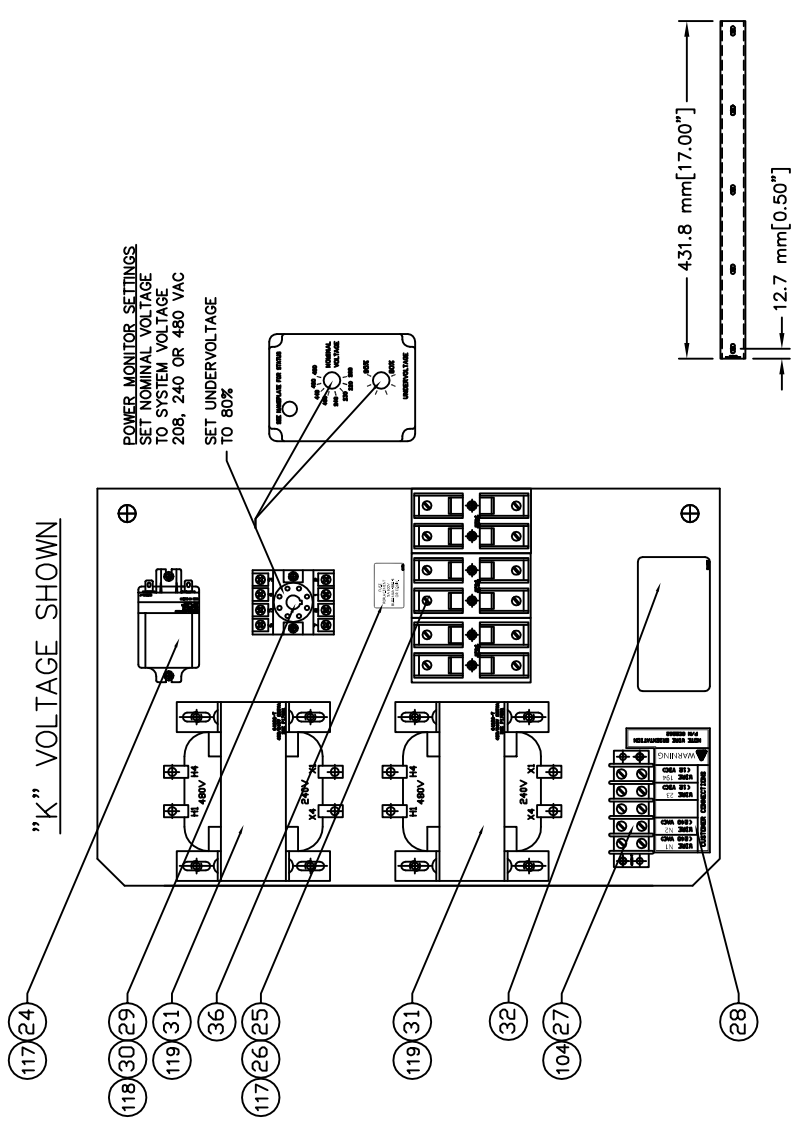
APPLICABLE TO:

| ITEM | PART # | QTY. | DESCRIPTION |
|------|-------------|------|---|
| 1 | 0J0901 | 1 | ENCL NEMA 3R 36 X 60 X 20 RTS |
| 2 | 0F6521 | 1 | DECAL RTS TRANSFER SW NEMA 3R |
| 3 | 095282 | 1 | DECAL LIVE CIRCUIT |
| 4 | 0E8594 | 1 | DECAL ENCLOSURE NOTE NEMA 3R |
| 5 | 0G1484 | 1 | DECAL UL CTRL PANEL ENCL |
| 6 | 0J0925 | 1 | DECAL RTS TEST SEQUENCE 600A |
| | 0J0926 | 1 | DECAL RTS TEST SEQUENCE 800A |
| 7 | 0536210193 | 1 | ASSY WIRE #0 12 00" (GROUND WIRE) |
| 8 | 072164 | 1 | MNL HNDL 6-1600A WN (SUPPLIED W/SWITCH) |
| 9 | 074525 | 1 | DECAL MANUAL OPERATION |
| 10 | 072111 | 1 | XFRSW 600A 3P WN600V |
| | 072112 | 1 | XFRSW 800A 3P WN600V |
| 11 | 080433 | 9 | LUG SL DLSS 500- #1X13/32 AL/CU |
| | 063925 | 9 | LUG SL DLSS 500- 4/0X17/32 AL/CU |
| 12 | 074349A | 2 | SW CVR WN 600A 3P |
| | 074349C | 2 | SW CVR WN 800/1000A 3P |
| 13 | 074351 | 2 | CVR BKRT 600-1600A RH |
| 14 | 074351A | 2 | CVR BKRT 600-1600A LH |
| 15 | 063986 | 4 | KNOB, COVER HOLD-DOWN |
| 16 | 0C8308 | 2 | DECAL TERMINAL SHOCK HAZARD |
| 17 | 064510 | 1 | DECAL TERMINAL NOTE |
| 18 | 0D8700 | 1 | ASSY NEUTRAL BLK 600-1000A ATS |
| 19 | 0A9457 | 1 | DECAL NEUTRAL |
| 20 | 0D6584 | 1 | ASSY GRD. TERM. 600-2600A |
| 21 | 067210A | 1 | DECAL GROUND LUG |
| 22 | 0J09080ST14 | 1 | SUB-PLATE RTS 600-800A |
| 23 | 0J2328\$ | 1 | PLATE DATA - RTS |
| 24* | 063617 | 1 | RELAY PNL 12VDC DPDT 10A@240VA |
| 25* | 0D2806 | REF. | FUSE BLOCK 30A 600V 2 POS W/SQ |
| 26 | 073590A | REF. | FUSE 5A X BUSS |
| 27* | 048850 | 1 | BLCKT ERM 20A 5X 6 X 1 100V |
| 28 | 0C2282 | 1 | DECAL TERMINAL STRIP |
| 29 | 063306 | REF. | POWER MONITOR 3-PH 208-480V |
| 30* | 0F6760 | 1 | SOCKET RELAY 8P 600V-10A |
| 31 | 064126 | REF. | TRANSF RM 240/480V-120/240V |
| 32 | 064199 | 1 | DECAL DANGER HIGH VOL TAGE |
| 33 | 091472 | 1 | DUCT WIRING 1 X 1.5 (33" LG) |
| 34 | 091472A | 1 | COVER WIRE DUCT 1 IN (33" LG) |
| 35 | 0F6685 | 4 | TIE-WRAP MOUNT (FIR TREE SYTLE) |
| 36 | 0E4415G | 1 | DECAL, FUSE RATING 5A 600V |
| 37* | 0J0918 | 1 | WIRE HARNESS RTS 1 PHASE |
| | 0J0919 | 1 | WIRE HARNESS RTS 3 PHASE |
| | 0J0920 | 1 | WIRE HARNESS RTS K VOLTAGE |

| ITEM | PART # | QTY. | DESCRIPTION |
|------|--------|------|------------------------------|
| 100 | 038150 | 2 | WASHER FLAT #8 ZINC |
| 101 | 022264 | 2 | WASHER LOCK #8-M4 |
| 102 | 051715 | 2 | NUT HEX M4-0.7 G8 YEL CHR |
| 103 | 087680 | 1 | NUT WING M 6-1.0 |
| 104 | 0A1661 | 2 | RIVET POP .156 X .675 AL |
| 105 | 022152 | 8 | WASHER LOCK #10 |
| 106 | 024469 | 8 | SCREW HHTT #10-32 X 3/8 CZ |
| 107 | 023302 | 18 | WASHER LOCK 7/16 |
| 108 | 026209 | 18 | SCREW HHC 7/16-14 X 1-3/4 G5 |
| 109 | 022509 | 18 | NUT HEX 7/16-14 STEEL |
| 110 | 026902 | 7 | SCREW HHTT #8-32 X 1/4 CZ |
| 111 | 067989 | 4 | NUT HEX FL WHIZ M8-1.25 |
| 112 | 042911 | 6 | SCREW HHC M10-1.5 X 30 G8 8 |
| 113 | 046526 | 6 | WASHER LOCK M10 |
| 114 | 022195 | 9 | WASHER LOCK 12 |
| 115 | 022196 | 9 | NUT HEX 1/2-13 STEEL |
| 116 | 023316 | 9 | SCREW HHC 1/2-13 X 4 G5 |
| 117 | 0C2265 | REF. | SCREW PHTT M4-0.7 X 12 ZP |
| 118 | 0C2695 | REF. | SCREW HHTT M 4.0.7 X 20 BP |
| 119 | 0C2267 | 8 | SCREW HHTT M 50.8 X 12 BP |
| 120 | 091477 | 2 | RIVET WIRE DUCT MNT |

* DESIGNATES ITEMS STRUCTURED IN WIRE HARNESS (NOT SHOWN)

GROUP C

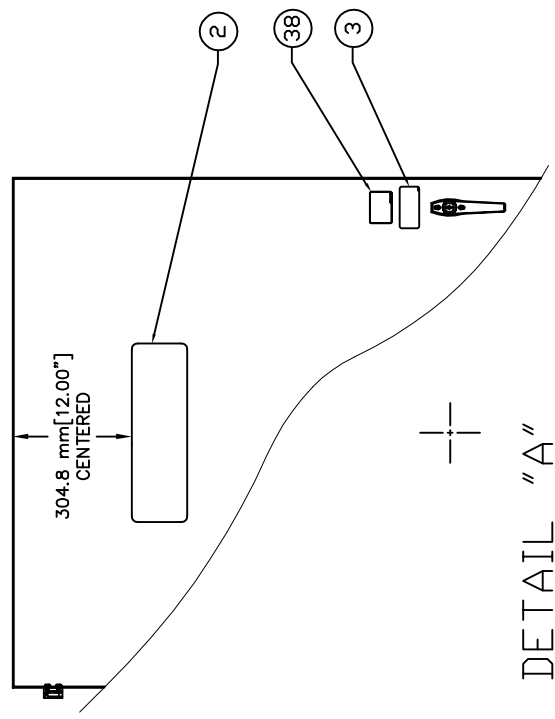


DETAIL "C"

WIRE DUCT
SEE ENGRG. FOR CUT LIST
SCALE 2.0X

DETAIL "B"

SUB-PLATE
SCALE 4.0X
K VOLTAGE SHOWN



DETAIL "A"

DOOR-FRONT
DECAL LOCATION
SCALE 1.5X

EXPLODED VIEW:
AV RTS 600-800A
DRAWING #: 0J0900A

EXPLODED VIEW: AV RTS 600-800A

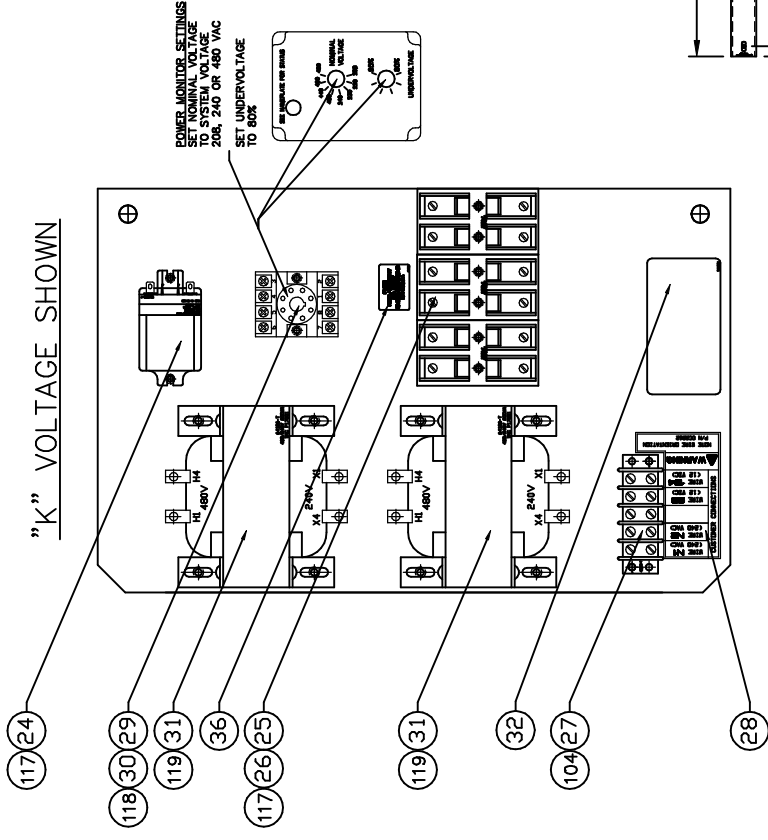
DRAWING #: 0J0900A

APPLICABLE TO:

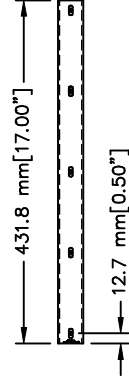
GROUP C

THIS PAGE IS LEFT INTENTIONALLY BLANK

GROUP C



"K" VOLTAGE SHOWN

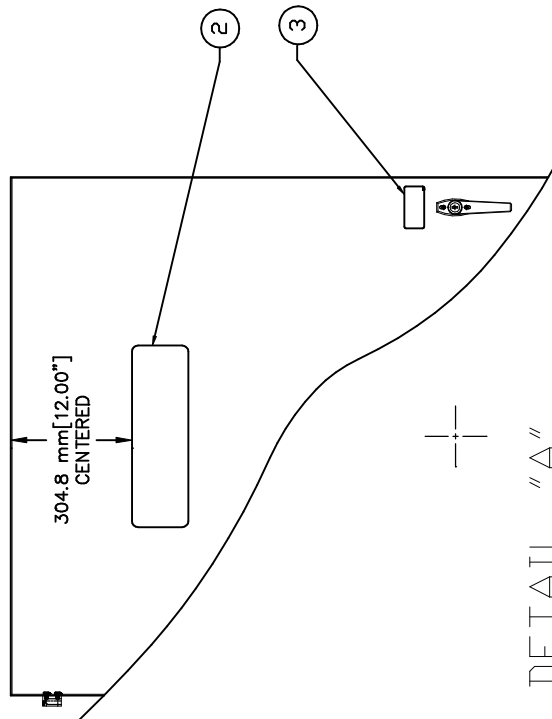


DETAIL "C"

WIRE DUCT
SEE ENGRG. FOR CUT LIST
SCALE 2.0X

DETAIL "B"

SUB-PLATE
SCALE 4.0X
K VOLTAGE SHOWN



DETAIL "A"

DOOR-FRONT
DECAL LOCATION
SCALE 1.5X

EXPLODED VIEW:
AV RTS 600-800A
DRAWING #: 0J0900A

EXPLODED VIEW: AV RTS 600-800A

DRAWING #: 0J0900A

APPLICABLE TO:

GROUP C

THIS PAGE IS LEFT INTENTIONALLY BLANK