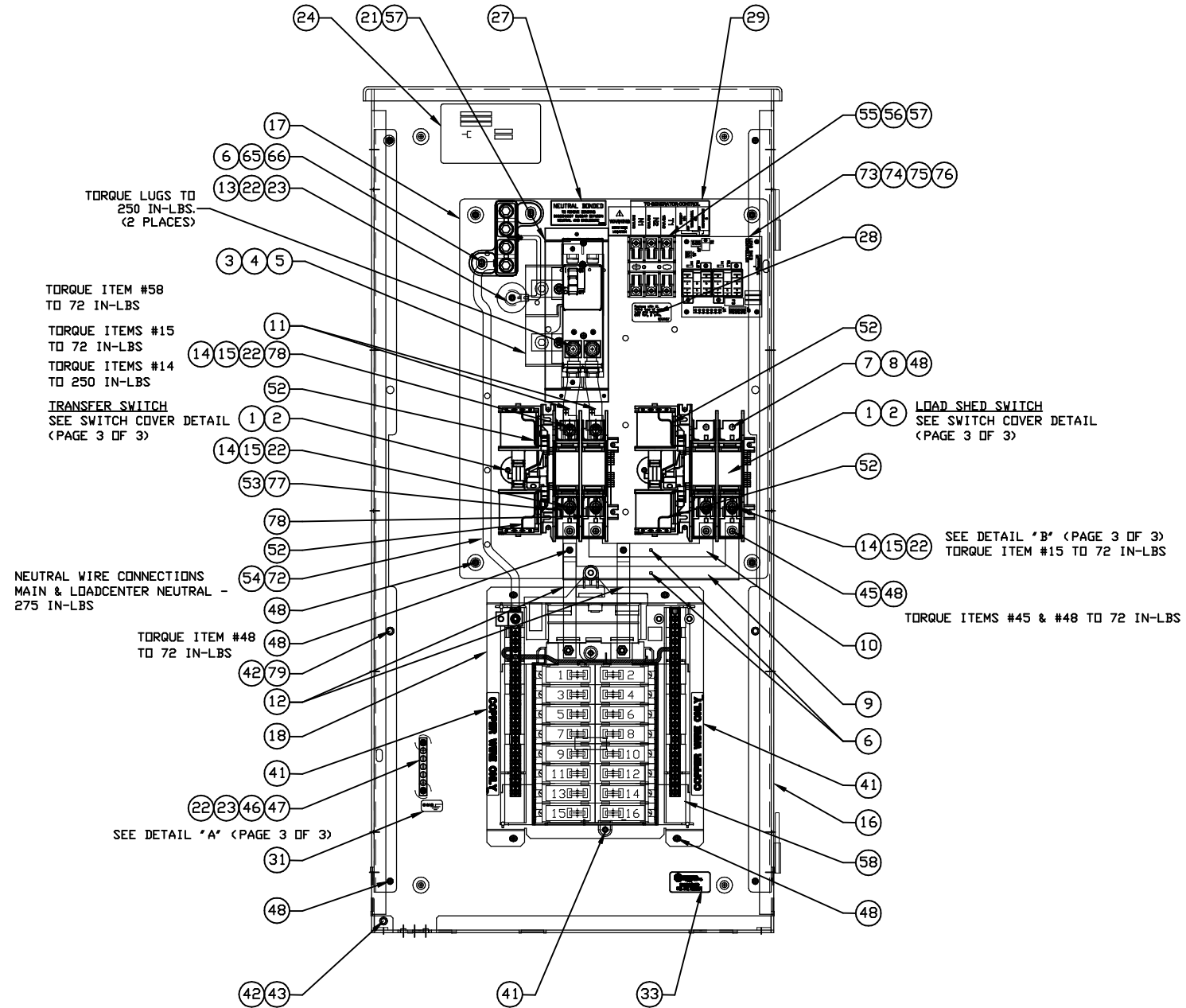


# GROUP C



**EXPLODED VIEW: LOAD SHED TRANSFER SWITCH ASSEMBLY  
DRAWING #: 0H9914A**

**GROUP C**

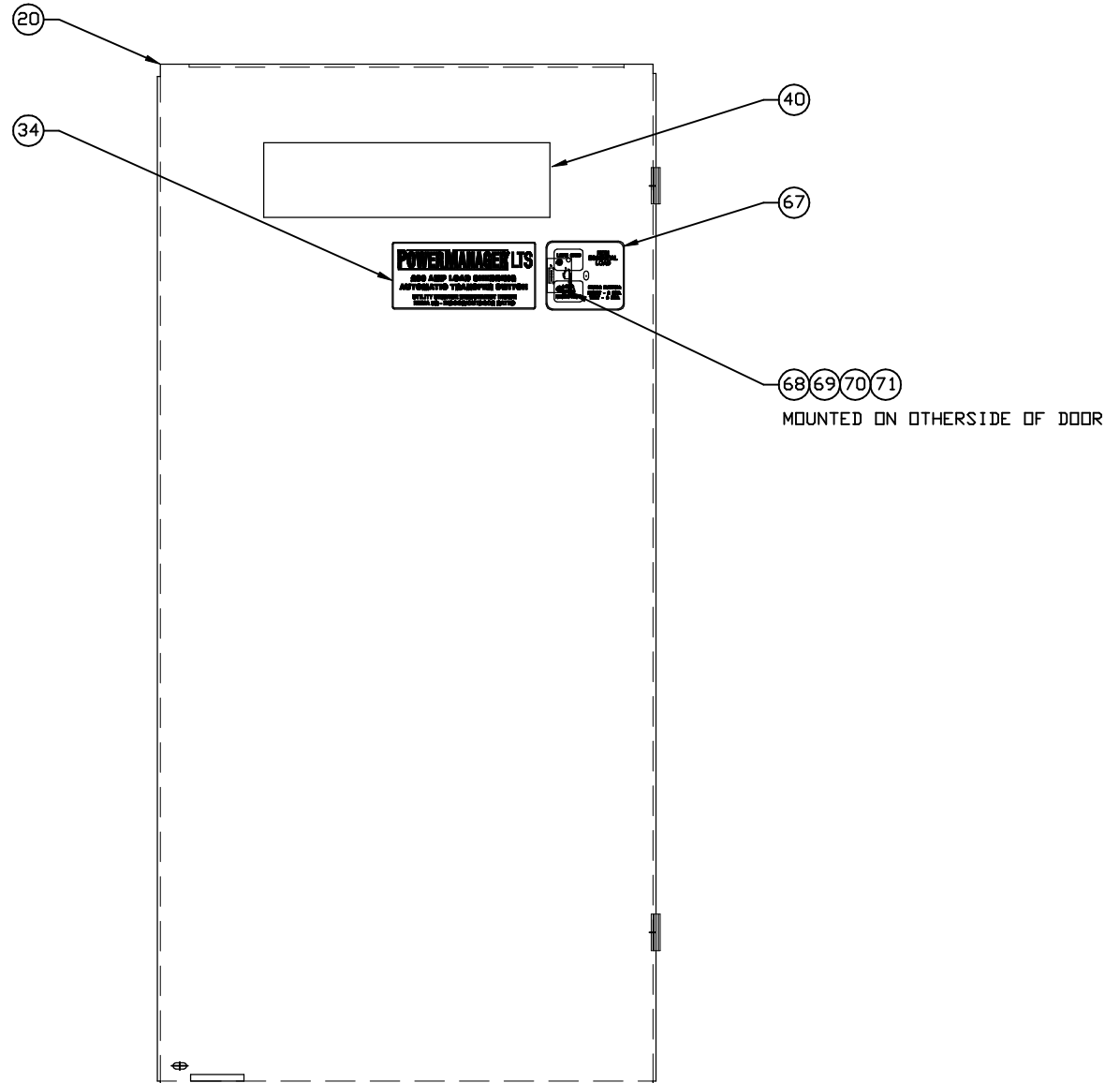
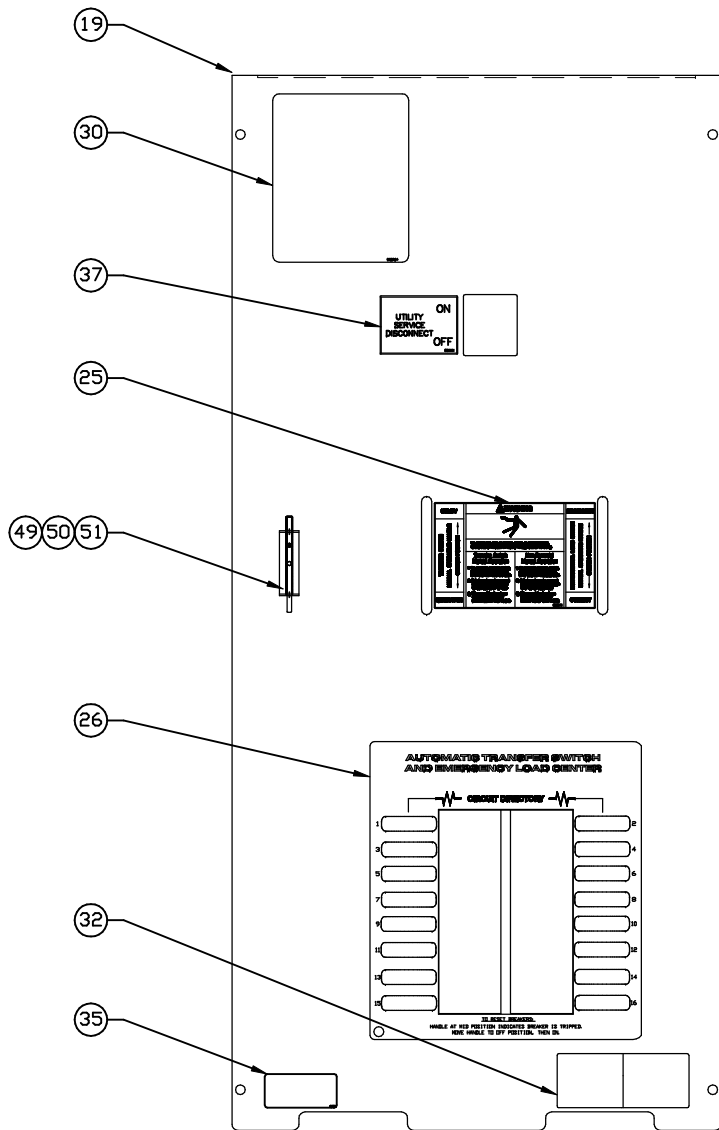
APPLICABLE TO:

| ITEM  | PART #      | QTY. | DESCRIPTION                         |
|-------|-------------|------|-------------------------------------|
| 1     | 0D9618      | 2    | TRANSFER SW. HSB 200A 2P 250V       |
| 2     | 074908      | 10   | SCREW HHTT M5-0.8 X 10 BP           |
| 3     | 0E3628      | 1    | CB 0200A 2P 240V S QN2 LL           |
| 4     | 0E3664      | 1    | BASE, QN CIRCUIT BREAKER            |
| 5     | 036918      | 2    | SCREW PPHM #8-32 X 1/2              |
| 6     | 026902      | 3    | SCREW HHTT #8-32 X 1/4 CZ           |
| 7     | 0G4413      | 2    | SPACER 200 AMP TRANSFER             |
| 8     | 024334      | 2    | BOLT CARR 1/4-20 X 1"               |
| 9     | 0G7847      | 1    | BUSBAR, 200A TRANSFER SW T1         |
| 10    | 0G7848      | 1    | BUSBAR, 200A TRANSFER SW T2         |
| 11    | 0G9299      | 2    | WIRE, 3/0 N1,N2                     |
| 12    | 0G8413      | 2    | BUSBAR, PANELBOARD INTERCONNECTION  |
| 13    | 0G9424      | 1    | WIRE, NEUTRAL BONDING 6AWG          |
| 14    | 0E3375      | 6    | LUG SOLDERLESS 250-#6 AL/CU         |
| 15    | 0F1252      | 6    | SCREW BHSC 1/4-20 X 3/8             |
| 16    | 0G78110AL14 | 1    | ENCLOSURE,LOAD SHED TRANSFER SWITCH |
| 17    | 0G78120GS0R | 1    | SUBPLATE, PANELBOARD                |
| 18    | 0G78130GS0R | 1    | SUBPLATE, LOADCENTER                |
| 19    | 0G93020AL14 | 1    | INSIDE COVER LOAD SHED SIEMENS      |
| 20    | 0G78150AL14 | 1    | COVER LOAD SHED ENCLOSURE           |
| 21    | 0G93000AL14 | 1    | CB BRKT 200A TRANSFER SWITCH SIEM   |
| 22    | 022097      | 9    | WASHER LOCK M6-1/4                  |
| 23    | 085889      | 3    | NUT HEX 1/4-20 SS                   |
| 24    | 0H9783A     | 1    | DECAL, TRANSFER SWITCH DATA         |
|       | 0H9783B     | 1    | DECAL, TRANSFER SWITCH DATA 200     |
| 25    | 0G8341      | 1    | DECAL, WARN MANUAL OPER HANDLE      |
| 26    | 0F9205A     | 1    | DECAL, FRT GTS LD CTR 16 CIR GRV    |
| 27    | 0G4220      | 1    | DECAL, NEUTRAL CONNECTION           |
| 28    | 0D3587      | 1    | DECAL, FUSE REPLACEMENT             |
| 29    | 0H8803A     | 1    | DECAL, CUSTOMER CONNECTION          |
| 30    | 0G8264      | 1    | DECAL, TEST SEQUENCE                |
| 31    | 067210A     | 1    | DECAL, GROUNDING LUG                |
| 32    | 0G3259      | 1    | DECAL, TERMINAL SHOCK HZD BI        |
| 33    | 0E4987      | 1    | DECAL, UL PANELBOARD                |
| 34    | 0G8187      | 1    | DECAL, POWERMANAGER LTS             |
| 35    | 0G3274      | 1    | DECAL, LIVE CIRCUIT ENG/FRN/SPN     |
| 36    | 0G8535      | 2    | DECAL, TRANSFER SWITCH INFO         |
| 37    | 0G8536      | 1    | DECAL, UTILITY SERVICE DISCONNECT   |
| 38    | 0G8537A     | 1    | DECAL, GENERATOR SOURCE CONNECTION  |
| 39    | 0G8537B     | 1    | DECAL, NON-ESSENTIAL LOAD CONN      |
| 40    | 0G1579B     | 1    | DECAL, SIEMENS 3.2" X 11.8"         |
| 41    | 0H9082      | 2    | DECAL, COPPER WIRE ONLY             |
| 42    | 058000E     | 3    | NUT TRIC 1/4-20 X .525              |
| 43    | 0E7213      | 1    | THUMB SCREW 1/4-20x1/2              |
| 44    | 066849      | 2    | SCREW HHTT M5-0.8 X 16              |
| 45    | 0G3976      | 4    | SCREW BHSC 1/4-20 X 3/4             |
| 46    | 0G6320      | 1    | GROUND BAR (5) 2-14 AWG CONN        |
| 47    | 026850      | 2    | WASHER SHAKEPROOF EXT 1/4 STL       |
| 48    | 0G8411      | 22   | NUT HEX FL WHIZ 1/4-20              |
| 49    | 0E6193      | 1    | BRACKET, ARM EXTENDER               |
| 50    | 0D6162      | 2    | RIVET POP .156 X .362 AL            |
| (1)51 | 0E6155      | 1    | ARM EXTENDER PIN                    |
| 52    | 0E6303      | 4    | WIRE-A                              |
| 53    | 0E6303B     | 1    | WIRE-E1                             |
| 54    | 0F6685      | 3    | TIE-WRAP MOUNT(FIR TREE STYLE)      |
| (2)55 | 0D2572      | 1    | FUSEBLOCK 30A 600V 3 POLE           |
| 56    | 073590A     | 3    | FUSE 5A X BUSS HLDR73591            |
| 57    | 0A1495      | 5    | SCREW HHTT M4-0.7 X 10 BP           |
| 58    | 0G8293      | 1    | 16 CIR L/CENTR 200A/240V SIEMENS    |
| 59    | 0E7888      | 1    | CB 0020A 2P PLUG IN                 |
| 60    | 0E7888B     | 5    | CB 0015A 1P PLUG IN                 |

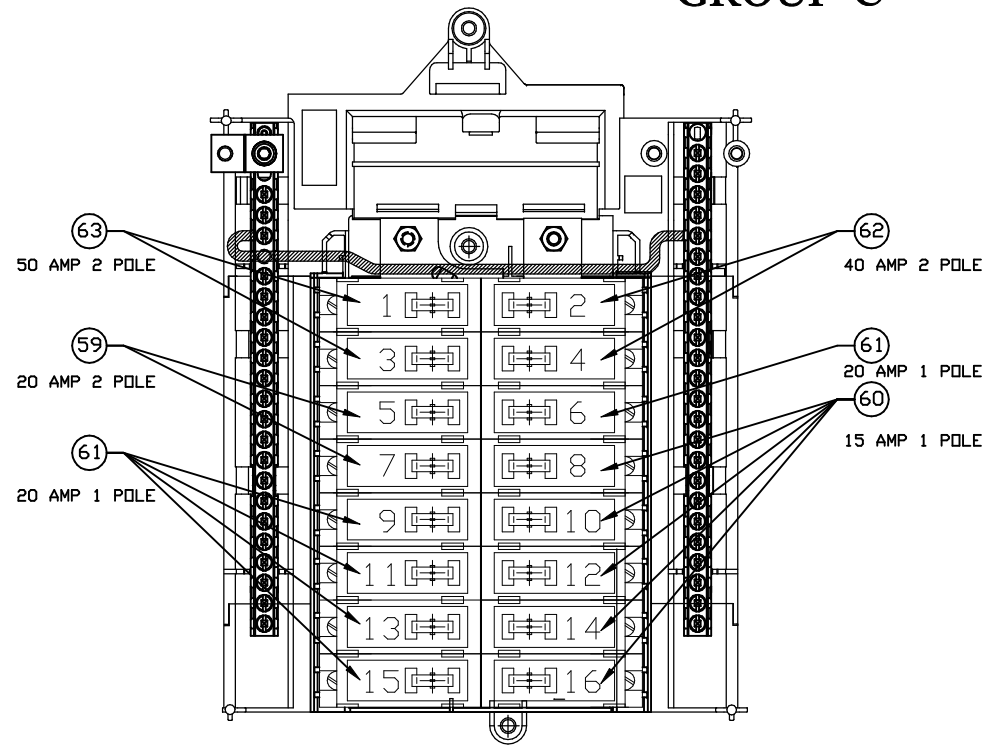
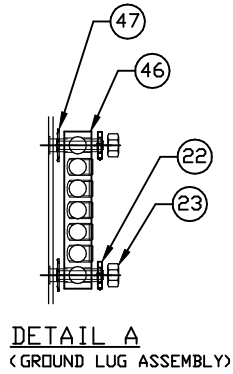
| ITEM  | PART #  | QTY. | DESCRIPTION                    |
|-------|---------|------|--------------------------------|
| 61    | 0E7888C | 5    | CB 0020A 1P PLUG IN            |
| 62    | 0E7888D | 1    | CB 0040A 2P PLUG IN            |
| 63    | 0E7888E | 1    | CB 0050A 2P PLUG IN            |
| 64    | 0H8802A | 1    | WIRING HARNESS HSB (NOT SHOWN) |
| 65    | 0E3717A | 1    | ASSY-NEUT BLK 200-400A W/TAP   |
| 66    | 090388  | 2    | SCREW HHTT M6-1.0 X 12 MM      |
| 67    | 0G8145  | 1    | KEYPAD, LOAD SHED              |
| 68    | 0G8242  | 1    | ASSY PCB INTFC LOAD SHED KEYPD |
| 69    | 0C6748  | 2    | NUT HEX LOCK M4-0.7 SS NYL INS |
| 70    | 0F4460  | 2    | SPACER M4/#8 X 5/16 X 1/4 NYL  |
| 71    | 0G8412  | 1    | CABLE, KEYPAD INTERFACE        |
| 72    | 0G8534A | 1    | NEUTRAL WIRE                   |
| 73    | 0G7925  | 1    | ASSY PCB 2008HSB LOAD SHEDCTRL |
| (3)74 | 027911  | 2    | RELAY SOC 12VDC DPDT 10A@240VA |
| 75    | 0D6511  | 4    | SPACER .20 X .375 X .375 PL    |
| 76    | 0E6423  | 4    | NUT HEX FL WHIZ M5-0.8         |
| 77    | 0E6033  | 1    | 90 DEGREE DN SPADE CONNECTOR   |
| (1)78 | 0E6034  | 3    | STRAIGHT SPADE CONNECTOR       |
| (1)79 | 036948  | 2    | SCREW PPHM 1/4-20 X 3/8        |

- (1) SUPPLIED WITH TRANSFER SWITCH ITEM #1.
- (2) SUPPLIED WITH HARNESS ITEM #64.
- (3) SUPPLIED WITH LOAD SHED MODULE ITEM #73.

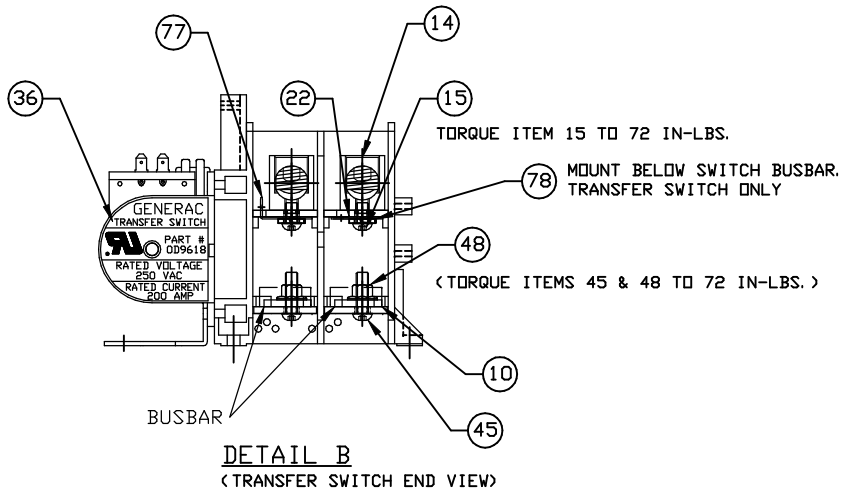
# GROUP C



# GROUP C



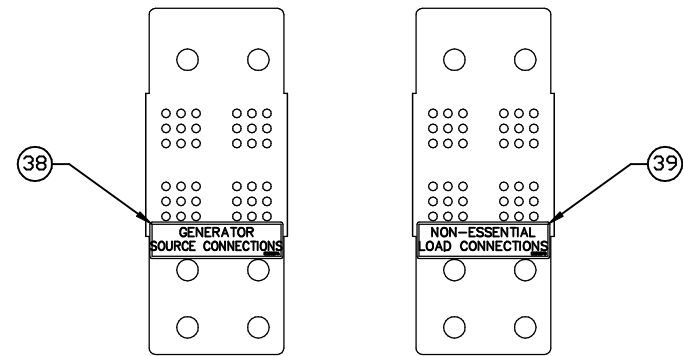
MOUNT BELOW SWITCH BUSBAR.  
TRANSFER SWITCH ONLY



## SWITCH COVER DETAIL

TRANSFER SWITCH

LOAD SHED SWITCH



**EXPLODED VIEW:**  
1/11  
**DRAWING #:** 0H9914A