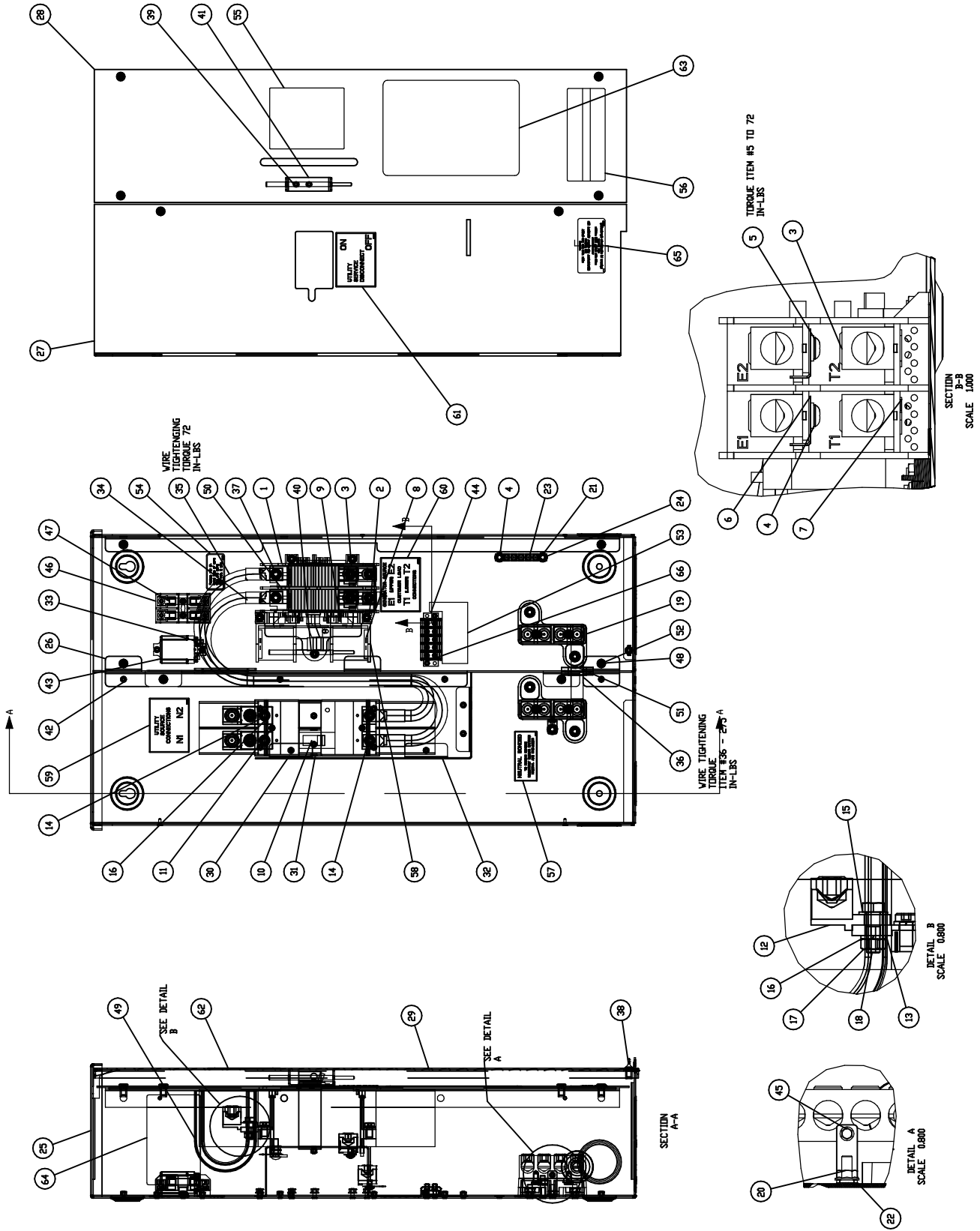


GROUP C



EXPLODED VIEW:
 100 A SERVICE ENTRANCE CSA ASSEMBLY
 DRAWING #: 0H4557A

EXPLODED VIEW: 100 A SERVICE ENTRANCE CSA ASSEMBLY
DRAWING #: 0H4557A

GROUP C

APPLICABLE TO:

ITEM	PART #	QTY.	DESCRIPTION
1	0D9618	1	XFRSW HSB 200A 2P 250V
2	0E6423	5	NUT HEX FL WHIZ M5-0.8
3	0E3375	4	LUG SOLDERLESS 250MCM-#6 AL/CU
4	022097	6	WASHER LOCK M6-1/4
5	0F1252	4	SCREW BHSC 1/4-20 X 3/8
6	0E6033	2	90 DEGREE DN SPADE CONNECTOR
7	0E6034	3	STRAIGHT SPADE CONNECTOR
8	0E6303	2	WIRE A 7.0"
9	0E6303B	1	WIRE E1 3.0"
10	0G4478	1	CB 200A 2 POLE 240V 225AF
11	053640	2	SCREW RHM #8-32 X 3-1/4 MACHINE SLOTTED
12	0F8451	2	LUG SLDLSS 300 MCM-6 AL/CU
13	0F8843	2	BUS BAR 200A LUG ADAPTOR
14	049897	4	SCREW LOW HEAD SOCKET HEAD (METRIC COARSE)
15	022145	2	WASHER FLAT 5/16-M8 ZINC
16	022129	6	WASHER LOCK M8-5/16
17	045771	2	NUT HEX M8-1.25 G8 CLEAR ZINC
18	043107	2	SCREW HHC M8-1.25 X 25 G8.8
19	0E3717A	2	ASSY-NEUT BLK 200-400A W/TAP
20	0G8411	7	NUT HEX FL WHIZ 1/4-20
21	026850	3	WASHER SHAKEPROOF EXT 1/4 STL
22	0H4695	1	BUSBAR NEUTRAL BLOCK
23	0G6320	1	GROUND BAR (5)2-14 AWG CONN
24	085889	2	NUT HEX 1/4-20 STAINLESS STEEL
25	0H0109	1	ENCL NEMA 3R CSA SER ENT

ITEM	PART #	QTY.	DESCRIPTION
26	0H0107	1	BRACKET ENCLOSURE SEPARATION
27	0H0110	1	INSIDE COVER UTILITY SIDE
28	0H0111	1	INSIDE COVER SWITCH SIDE
29	0H4262	1	COVER CSA 200 AMP
30	0H4285	1	RISER CIRCUIT BREAKER CSA
31	0H4553	1	BRACKET CB LOCKOUT
32	0H4581	1	BRACKET CIRCUIT PROTECTION
33	0H4555	1	HARNESS 200A CSA SERV ENT
34	0H5000A	1	WIRE, 3/0 N1A
35	0H5000B	1	WIRE, 3/0 N2A
36	0H5001	1	WIRE, NEUTRAL JUMPER
(1)37	024334	2	BOLT CARRIAGE 1/4-20 X 1
38	0E7213	1	SCREW THUMB 1/4-20 X1/2 W/SHLD
39	0D6162	2	RIVET POP .156 X .362 AL
40	0H5405	1	ARM EXTENDER PIN CSA
41	0E6193	1	BRACKET, ARM EXTENDER
(1)42	0C6748	18	NUT HEX LOCK M4-0.7 SS NYL INS
(1)43	063617	1	RELAY PNL 12VDC DPDT 10A@240VA
44	0H1605	1	BLOCK TERM 20A 5 X 6 X 1100V
45	026902	1	SCREW HHTT #8-32 X 3/8
46	0D2806	1	FUSEBLOCK 30A 600V 2POS W/SQ
47	073590A	2	FUSE 5A X BUSS
48	036949	6	1/4-20 X 1/2" SCREW, PPHM
49	056326	1	TRIM VINYL BLACK 1/8GP
50	0G4413	2	SPACER,200 AMP TRANSFER SWITCH
51	072252	1	GROMMET 1.37 X .06 X 1.00
52	058000E	4	NUT TRIC 1/4-20 X .525
53	0C2262	1	DECAL TERMINAL STRIP
54	0D3587	1	DECAL, FUSE REPLACEMENT
55	0E3484	1	DECAL WARN MANUAL OPER HANDLE
56	0G3259	1	DECAL TERMINAL SHOCK HZD BI
57	0G4220	1	DECAL, NEUTRAL CONNECTION
58	0G8535	1	DECAL,TRANSFER SWITCH ID 200A
59	0G9651A	1	DECAL, UTILITY SOURCE CONN
60	0G9651B	1	DECAL, GENERATOR/CUSTOMER CONN
61	0G9651C	1	DECAL, UTILITY DISCONNECT
62	0H0497	1	DECAL, RTS SERVICE ENTRANCE TRANSFER SWITCH
63	0H1480	1	DECAL TEST SEQUENCE
64	0H5333B	1	DECAL,XFER SW SE 120/240
65	0H5388	1	DECAL LIVE CIRCUIT
66	0H5460	2	STANDOFF, HEX M4-0.7 X 10

(1) INCLUDED WITH HARNESS

ITEM #	PART #	QTY	DESCRIPTION
1	0L2910	1	XFRSW HSB 100A 2P 250V
2	0E6423	4	NUT HEX FL WHIZ M5-0.8
3	077033	6	LUG SLDLSS 1/0-#14X9/16 AL/CU
4	0G7624	6	SCREW PPHM #10-32 X 5/16
5	022152	6	WASHER LOCK #10
6	074138	4	LUG DIS QK NI-S 10X45 DEG BR/T
7	0E7886H	1	CB 0100A 2P 240V S BQ2 LB
8	0E7890	1	BRKT CB MTG BACK
9	0H5314	1	CB RISER 100 AMP CSA
10	074908	2	SCREW HHTT M5-0.8 X 10 BP
11	0H5876	1	PAD LOCKING DEVICE 2" WIDE
12	0F7806	15	NUT HEX FL WHIZ M4-0.7
13	0H5743A	1	WIRE 2AWG BLACK N1A
14	0H5743B	1	WIRE 2AWG BLACK N2A
15	0E3717	2	ASSY-NEUT BLK 100A W/TAP
16	0H4695	1	BUSBAR NEUTRAL BLOCK
17	0J8202	1	LUG SLDLSS 2/0-#14X#10-32X-125
18	0G8411	7	NUT HEX FL WHIZ 1/4-20
19	0C3992	1	SCREW HHTT M4-0.7 X 16 BP
20	026850	3	WASHER LOCK EXT 1/4 STL
21	0H5747	1	WIRE, 2AWG WHITE NEUTRAL
22	0D3587	1	DECAL, FUSE REPLACEMENT
23	0E3484	1	DECAL WARN MANUAL OPER HANDLE
24	0G3259	1	DECAL TERMINAL SHOCK HZD BI
25	0H5744	1	HARN 100/200A XFER SW SE
26	036949	6	SCREW PPHM 1/4-20 X 1/2
27	0E7213	1	SCREW THUMB 1/4-20 X1/2 W/SHLD
28	0E6303	2	WIRE A 7.0"
29	0E6303C	1	WIRE E1 4.0"
* 30	0H1605	1	BLOCK TERM 20A 5 X 6 X 1100V
31	0H5460	2	STANDOFF HEX M4.0.7 X 10
32	0E6193	1	BRACKET, ARM EXTENDER
33	0D6162	2	RIVET POP .156 X .362 AL
34	0H5405	1	PIN ARM EXTENDER CSA
* 35	063617	1	RELAY PNL 12VDC DPDT 10A@240VA
* 36	0D2572	1	FUSEBLOCK 30A 600V 3POS W/SQ
37	073590A	3	FUSE 5A X BUSS
38	058000E	7	NUT TRIC 1/4-20 X .525
39	063212	1	GROMMET 1.75 X .12 X 1.50
40	072252	1	GROMMET 1.37 X .06 X 1.00
41	0H53150AL14	1	INSIDE COVER UTILITY SIDE
42	0H53160AL14	1	INSIDE COVER SWITCH SIDE
43	0H53170AL14	1	BRACKET ENCLOSURE SEPARATION
44	0H53180AL14	1	BRACKET LOCK OUT
45	0H53200AL14	1	ENCLOSURE 100 AMP CSA
46	0H53210AL14	1	COVER CSA 100 AMP
47	0H53130AL14	1	BRACKET UTILITY SEPERATION CSA
48	0J2195	1	DECAL CUSTOMER CONNECTION
49	0G4220	1	DECAL, NEUTRAL CONNECTION
50	0G7226	1	SPACER .171"ID .312 LG BRASS
51	0G9651A	1	DECALS, SERVICE ENTRANCE
52	0K1098	1	DECAL RTS TRANSFER SW GENERAC
53	0G9651B	1	DECALS, SERVICE ENTRANCE
54	0H5333A	1	DECAL DATA SE SWITCH 100A
55	0G9651C	1	DECALS, SERVICE ENTRANCE
56	0H1558	1	DECAL TEST SEQUENCE NEMA 3R
57	0H5388	1	DECAL LIVE CIRCUIT
58	0K6108	1	DECAL, CONTROL CIRCUIT WIRING

* - INCLUDED WITH HARNESS

0H5533	ASSEMBLY W/SERIAL NUM. DECAL (0H5333A)
0H5533A	CREATIVE SERVICES DRAWING
0H5533B	ASSEMBLY W/DATA DECAL
0H5533C	ASSEMBLY W/SERIAL NUM. DECAL (0J0899A) SEE NOTE BELOW

NOTE:
 ITEM #52-0K1098 REPLACED WITH 0K1274
 ITEM #54-0H5333A REPLACED WITH 0J0899A

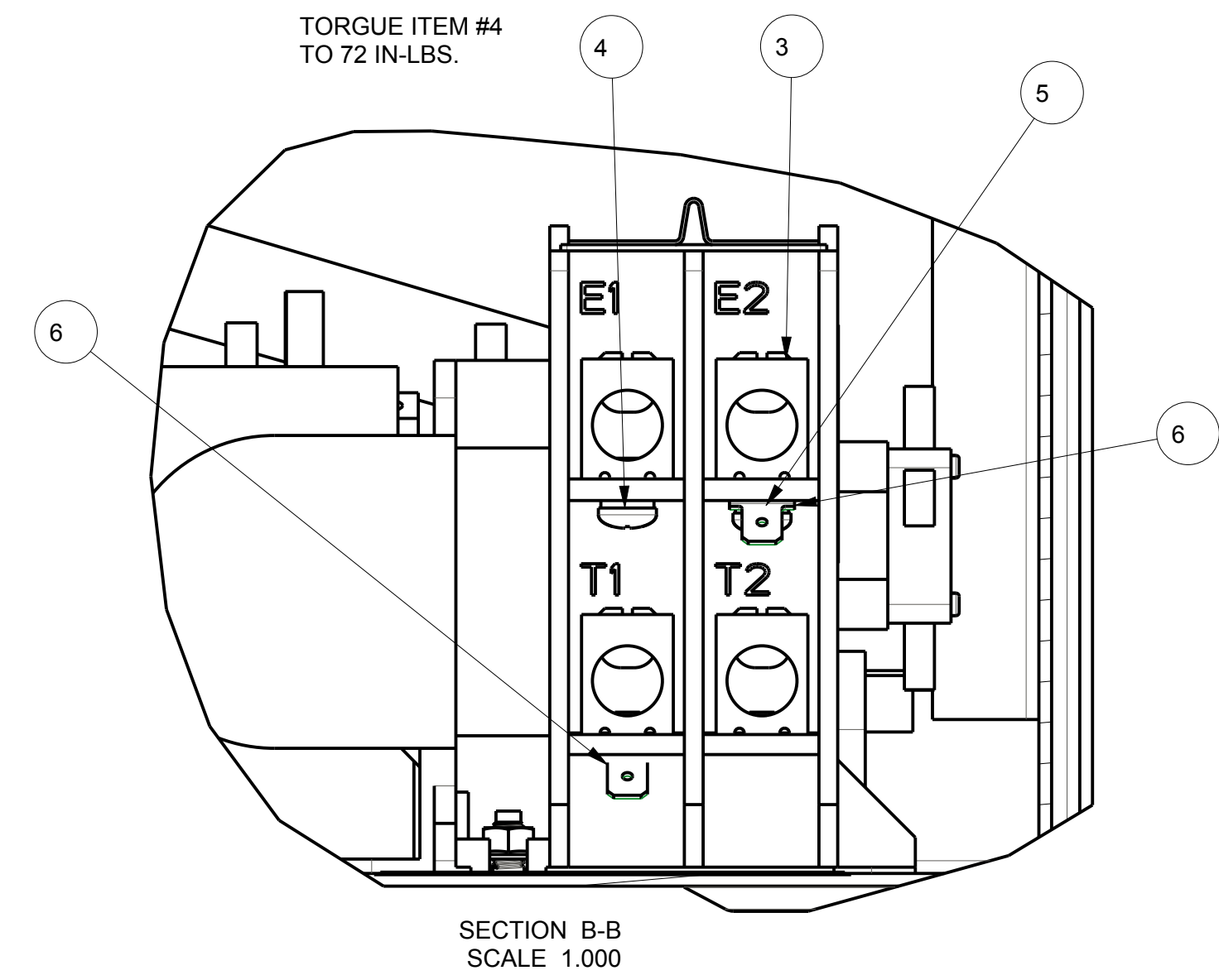
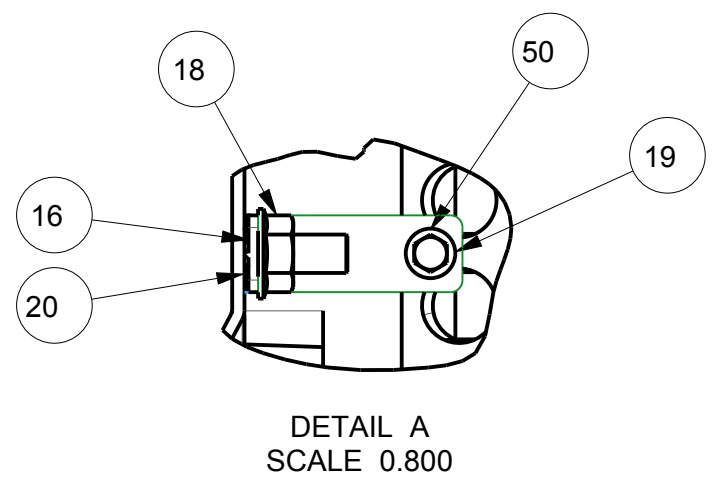
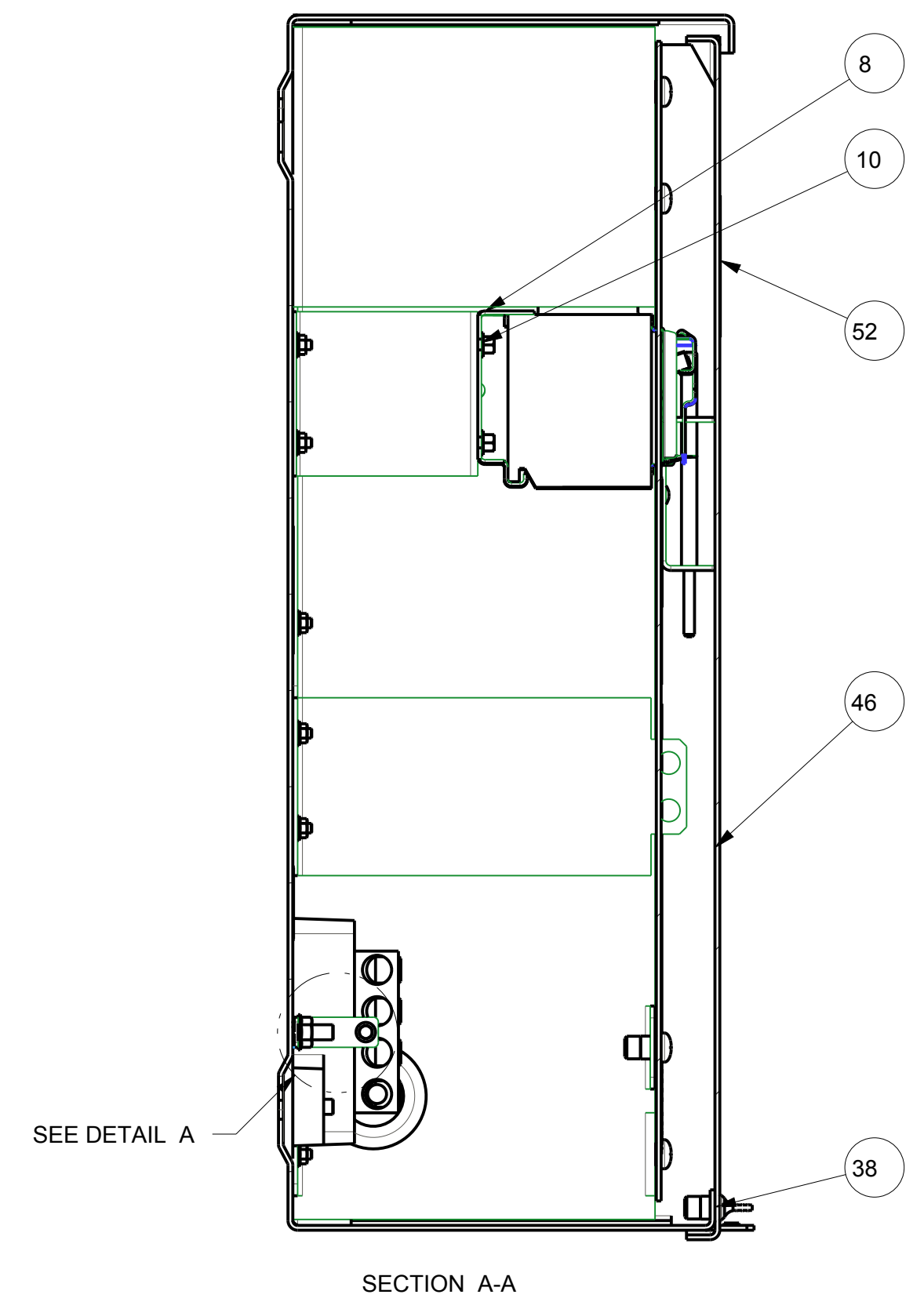
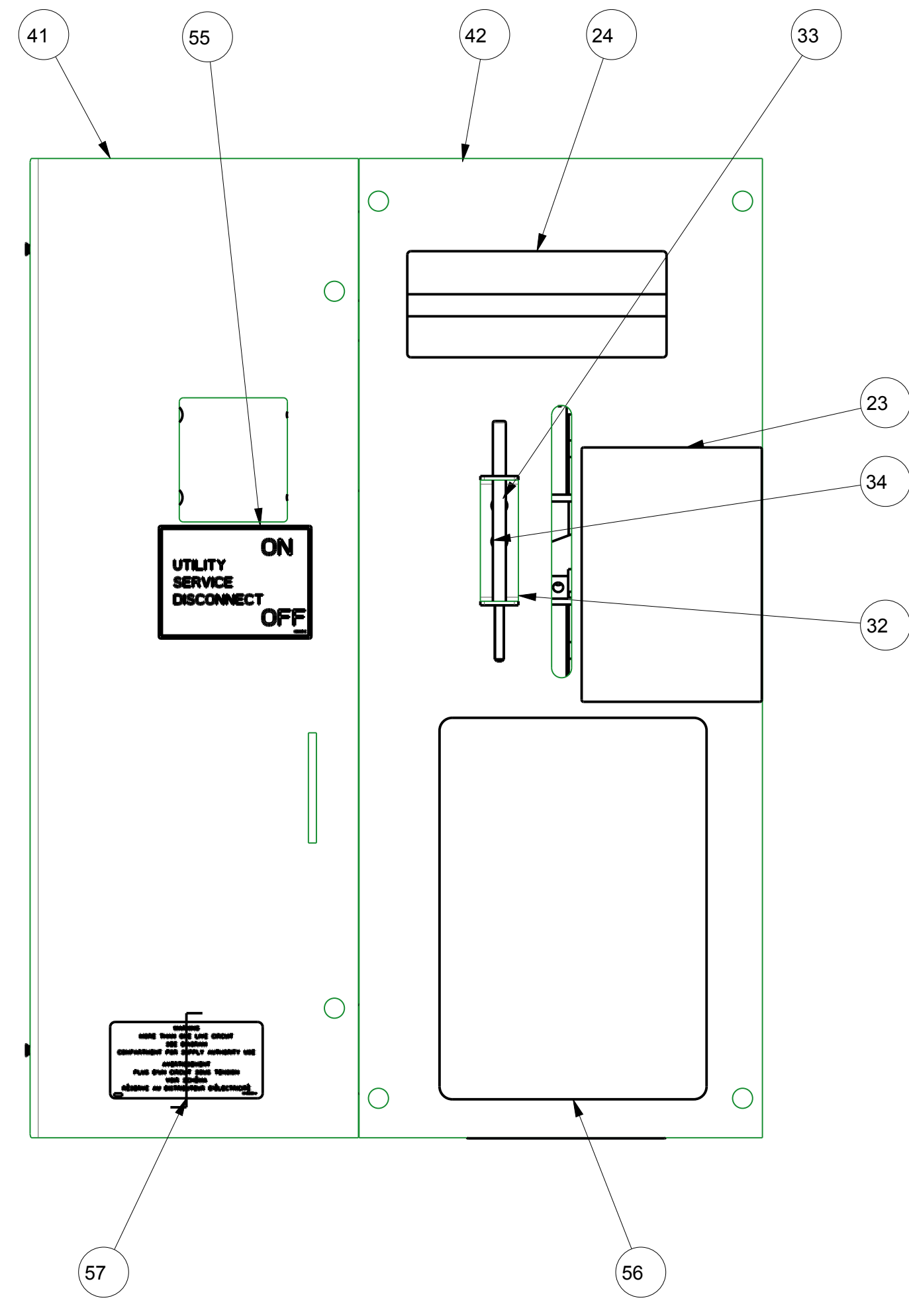
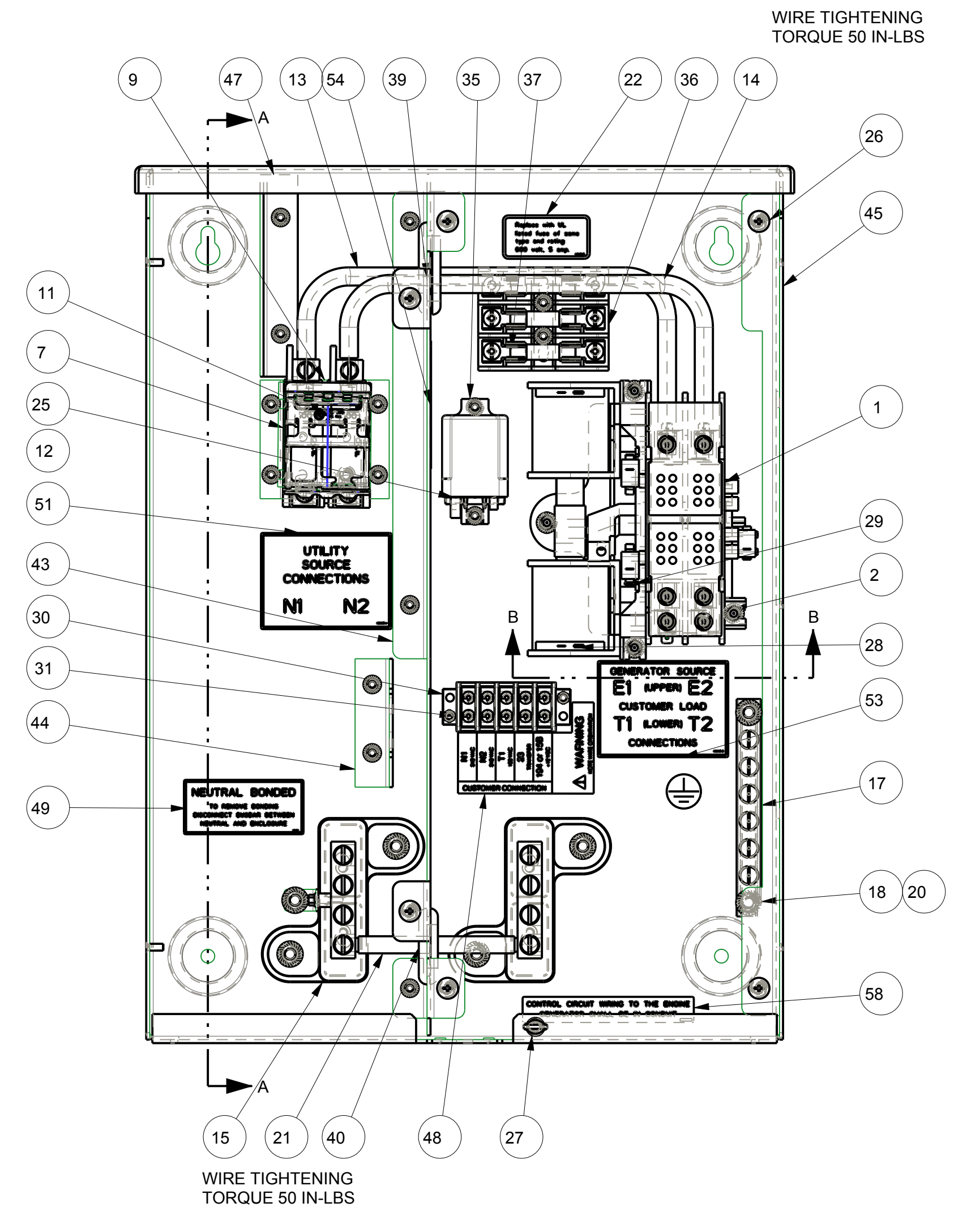
REFERENCE DRAWINGS
 0J2181 SCHEMATIC/WIRING DIAGRAMS
 0F6778 CARTON 20.04 X 15.03 X 7.14
 0H1479 TEST PROCEDURE
 0H6011 KIT, ENCLOSURE 100A
 0G8634 V-BOARD 3X3X8.125

GENERAL TOLERANCES UNLESS NOTED	
ALL XX = ± 0.4 MM	THIRD ANGLE PROJECTION
XX X = ± 0.4 MM	
XX XXX = ± 0.15 MM	
ALL ANG = ± 1°	
INTERPRET DIM AND TOL PER ASME Y14.5M-1994	



TITLE
 100 AMP SERVICE ENTRANCE
 CSA ASSEMBLY

ISSUE DATE:	SIZE	CAGE NO	DWG NO	REV
	D	N/A	0H5533\$	E
	SCALE	0.400	WT-KG	17.155
			SHEET	1 of 1

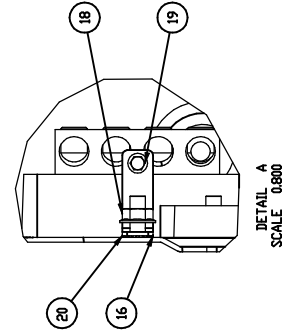
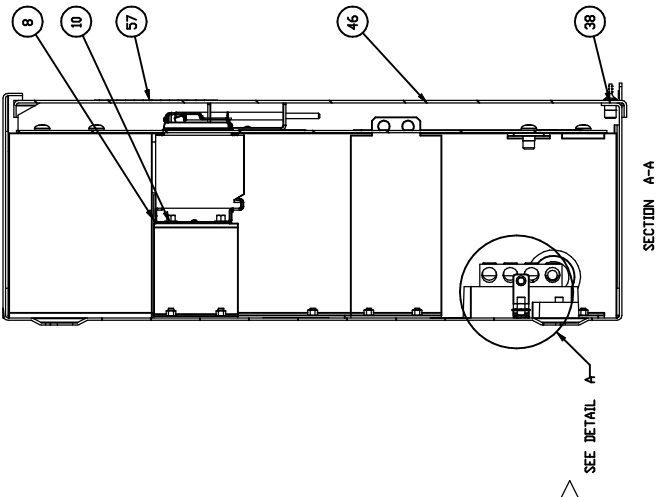
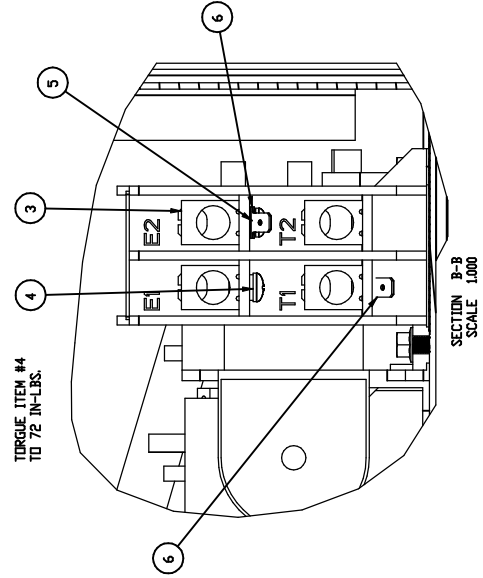
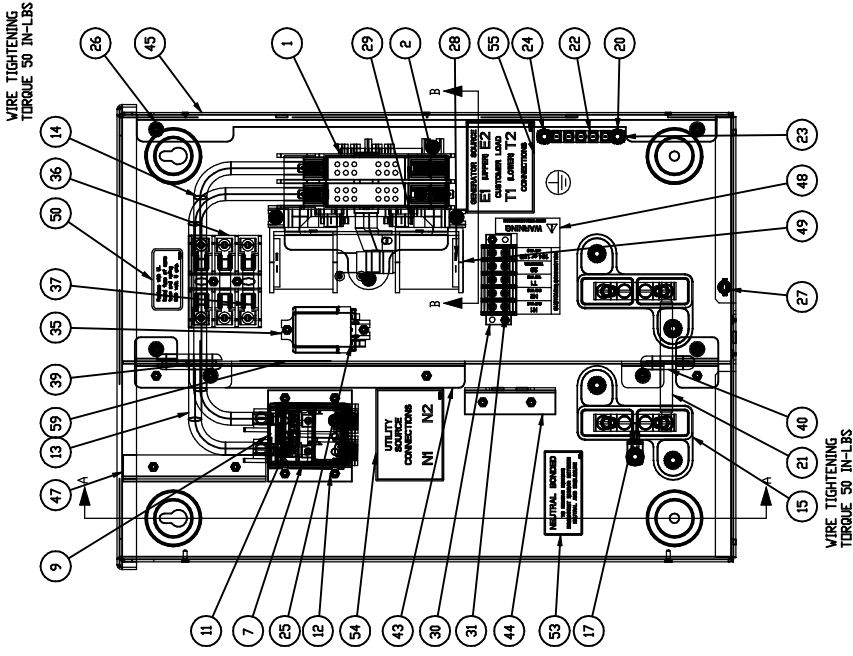
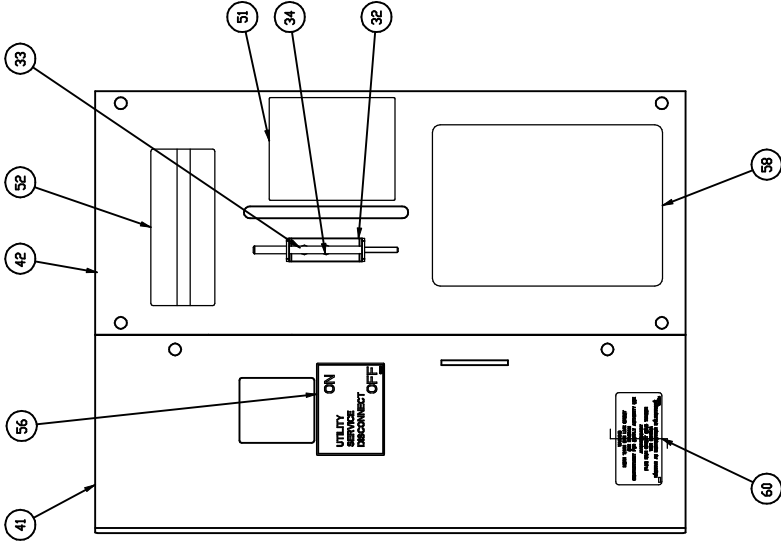


GENERAL ASSEMBLY DRAWING

DRAWING CREATED FROM PRO/ENGINEER
 3D FILE. ECO MODIFICATION TO BE
 APPLIED TO SOLID MODEL ONLY.

GENERAC POWER SYSTEMS OWNS THE COPYRIGHT OF THIS DRAWING WHICH IS SUPPLIED TO THE PURCHASER AS A SERVICE. IT IS NOT TO BE REPRODUCED OR TRANSMITTED IN ANY FORM OR BY ANY MEANS, ELECTRONIC OR MECHANICAL, WITHOUT THE EXPRESS WRITTEN CONSENT OF GENERAC POWER SYSTEMS.
 ELECTRONICALLY APPROVED
 INSIDE WINDCHILL

GROUP B



EXPLODED VIEW:
EV ASSEMBLY 100A SE CSA
DRAWING #: 0H5533A

EXPLODED VIEW: EV ASSEMBLY 100A SE CSA
DRAWING #: 0H5533A

GROUP B

APPLICABLE TO:

ITEM	PART #	QTY.	DESCRIPTION
1	0C2237	1	XFRSW HSB 100A 2P 250 V
2	0E6423	4	NUT HEX FL WHIZ M5-0.8
3	077033	6	LUG SL DLSS 1/0-#14 X9/16 AL/CU
4	0G7624	6	SCREW PPHM #10-32 X 5/16
5	022152	6	WASHER LOCK K #1 0
6	074138	4	LUG DIS QKN I-S 1 0X45 DEG BR/T
7	0E7886H	1	CB 0100A 2P 240V S BQ2 LB
8	0E7890	1	BRKT CB MTG BACK
9	0H5314	1	CB RISER 100AMP CSA
10	074908	2	SCREW HHTT M5-0.8 X 10 BP
11	0H5876	1	PAD LOCKING DEVICE 2" WIDE
12	0C6748	15	NUT HEX LOCK M4-0.7 SS NYLINS
13	0H5743 A	1	WIRE 2AWG BLACK N1A
14	0H5743 B	1	WIRE 2AWG BLACK N2A
15	0E3717	2	ASSY-NEUT BLK 100A W/TAP
16	0H4695	1	BUSBAR NEUTRAL BLOCK
17	0G7226	1	SPACER .171" ID .312 LG BRASS
18	0G8411	5	NUT HEX FL WHIZ 1/4-20
19	0C3992	1	SCREW HHTT M4-0.7 X 16 BP
20	026850	3	WASHER LOCK K EXT 1/4 STL
21	0H5747	1	WIRE, 2AWG WHITE NEUTRAL
22	0G6320	1	GROUND BAR (5)2-1 4AWG CONN
23	022097	2	WASHER LOCK M6-1/4
24	085889	2	NUT HEX 1/4-20 SS
25	0H5744	1	HARN 100/200A XFER SW SE
26	036949	6	SCREW PPHM 1/4-20 X 1/2
27	0E7213	1	SCREW THUMB 1/4-20 X 1/2 W/SHLD
28	0E6303	2	WIRE A 7.0"
29	0E6303C	1	WIRE E1 4.0"
30	0H1605	1	BLOCK TERM 20 A 5 X 6 X 1 100V
31	0H5460	2	STANDOFF HEX M4.0.7 X 10
32	0E6193	1	BRACKET, ARM EXTENDER
33	0D6162	2	RIVET POP .156 X .362 AL
34	0H5405	1	PIN ARM EXTENDER CSA
35	063617	1	RELAY PNL 12VDC DPDT 10A @ 240VA

ITEM	PART #	QTY.	DESCRIPTION
36	0D2572	1	FUSE BLOCK 30 A 60 0V 3POS W/SQ
37	073590A	3	FUSE 5A X BUSS
38	058000E	7	NUT TRIC 1/4-20 X .525
39	063212	1	GROMMET 1.75 X .12 X 1.50
40	072252	1	GROMMET 1.37 X .06 X 1.00
41	0H53150AL 14	1	INSIDE COVER UTILITY SIDE
42	0H53160AL 14	1	INSIDE COVER SWITCH SIDE
43	0H53170AL 14	1	BRACKET ENCLOSURE SEPARATION
44	0H53180AL 14	1	BRACKET LOCK OUT
45	0H53200AL 14	1	ENCLOSURE 100 AMP CSA
46	0H53210AL 14	1	COVER CSA 100 AMP
47	0H53130AL 14	1	BRACKET UTILITY SEPERATION CSA
48	0J2195	1	DECAL CUSTOMER CONNECTION
49	0C2380	1	DECAL TRAN SWITCH ID
50	0D3587	1	DECAL, FUSE REPLACEMENT
51	0E3484	1	DECAL WARN MANUAL OPER HANDLE
52	0G3259	1	DECAL TERMINAL SHOCK HZD BI
53	0G4220	1	DECAL, NEUTRAL CONNECTION
54	0G9651A	1	DECALS, SERVICE ENTRANCE
55	0G9651B	1	DECALS, SERVICE ENTRANCE
56	0G9651C	1	DECALS, SERVICE ENTRANCE
57	0H0497	1	DECAL TRANSFER SWITCH RTS SE
58	0H1558	1	DECAL TEST SEQUENCE NEMA 3R
59	0H5333A	1	DECAL DATA SE SWITCH 100A
60	0H5388	1	DECAL LIVE CIRCUIT