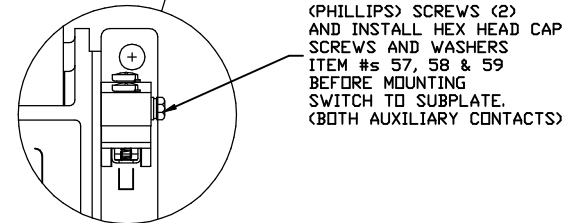
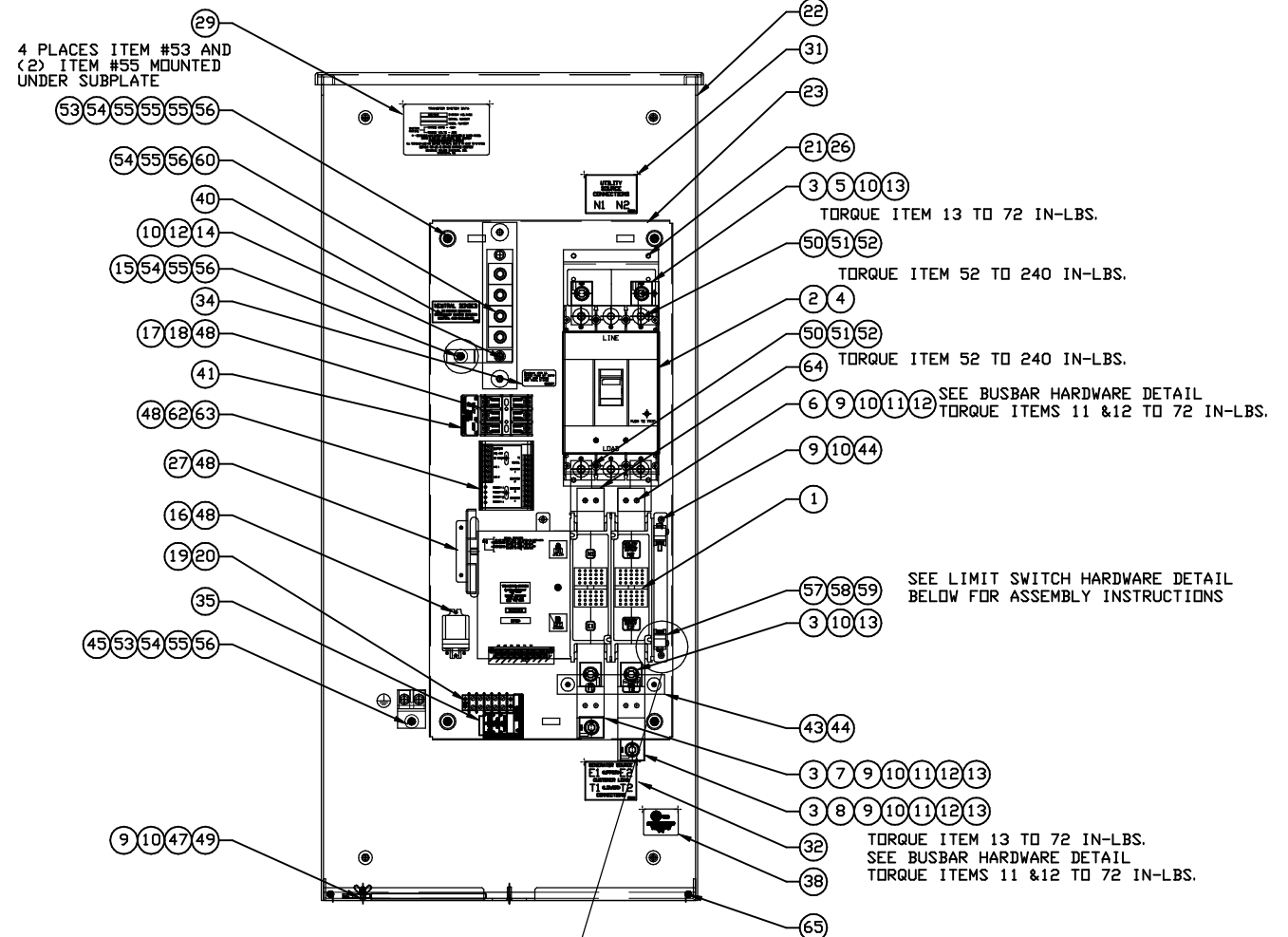
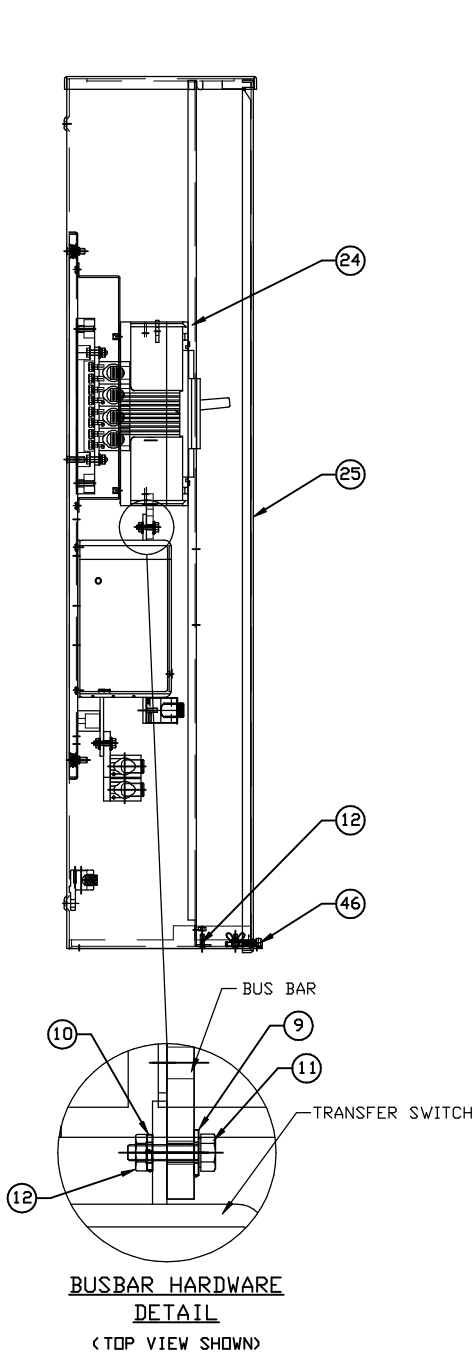


GROUP C



LIMIT SWITCH HARDWARE DETAIL

**EXPLODED VIEW:
400A SERVICE ENTRANCE TRANSFER SWITCH
DRAWING #: 0H7268A**

EXPLODED VIEW: 400A SERVICE ENTRANCE TRANSFER SWITCH
DRAWING #: 0H7268A

GROUP C

APPLICABLE TO:

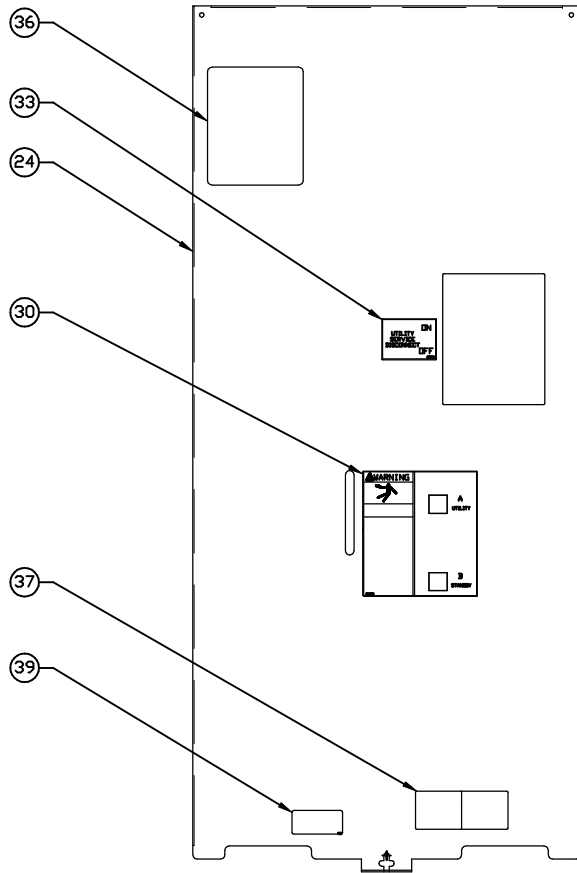
ITEM	PART #	QTY.	DESCRIPTION
1	0D7294	1	TRANSFER SWITCH - W 400A600V2P
2	0F4740	1	CB 0400A 2P 480V 400
3	0A7822	6	LUG, SLDLSS 600/250-1/0X1/4-28
4	042419	4	SCREW RHM 10-32 X 4
(2) 5	0F8447	2	BUS BAR CB ADAPTER
6	0H1427	2	BUSBAR 400A SE--N1,N2
7	0H1502	1	BUSBAR 400A SE--T1
8	0H1503	1	BUSBAR 400A SE--T2
9	022473	16	WASHER FLAT 1/4-M6 ZINC
10	022097	25	WASHER LOCK M6-1/4
11	022413	8	SCREW HHC 1/4-20 X 1 G5
12	022127	9	NUT HEX 1/4-20 STEEL
13	0A8261	12	SCREW, HHCS 1/4-28 X 5/8"
14	0G3690	1	NEUTRAL BLOCK BUS BAR
15	027482	1	WASHER SHAKEPROOF EXT 5/16 STL
(1) 16	063617	1	RELAY PNL 12VDC DPDT
(1) 17	0D2572	1	FUSEBLOCK 30A 600V 3 POLE
18	073590A	3	FUSE 5AX BUSS HLD R73591
(1) 19	0H1605	1	BLOCK TERM 20A 5 X 6 X 1100V
20	0A1661	2	RIVET, POP .156 X .67
21	090388	4	SCREW HHTT M6-1.0 X 12 ZINC
22	0H79060AL14	1	WELDMENT 3R 400A SE ENCLOSURE
23	0H7879	1	SUBPLATE 400A SE 3R ENCL
24	0H04760AL14	1	COVER INSIDE 400A SE ENC
25	0H14050AL14	1	COVER 400A SE ENCLOSURE
26	0G32370AL14	1	RISER, 400A CIRCUIT BREAKER
27	0G41370AL14	1	BRACKET, TRANSFER SWITCHHANDLE
28	0H7272	1	DECAL, TRANSFER SWITCH RTS SE
	0H0905	1	DECAL, TRANSFER SWITCH RTS SE
	0J3803	1	DECAL, TRANSFER SWITCH
29	0G3369	1	DECAL, DATA XFER SW SD 400A
	0H8063C	1	DECAL, DATA XFER SW SD 400A
	0J3804D	1	DECAL, DATA XFER SW SD 400A

ITEM	PART #	QTY.	DESCRIPTION
30	0G4109	1	DECAL, MANUAL OPERATION
31	0G9651A	1	DECAL, UTILITY SOURCE CONNECTION
32	0G9651B	1	DECAL, GENERATOR/CUSTOMER CONN
33	0G9651C	1	DECAL, UTILITY DISCONNECT
34	0D3587	1	DECAL, FUSE REPLACEMENT
35	0H7917	1	DECAL, TERMINAL STRIP
36	0H1542	1	DECAL, TEST SEQUENCE
37	0G3259	2	DECAL, TERMINAL SHOCK HZD BI
38	0G0900	1	DECAL, UL LIST HSB
39	0G3274	1	DECAL, LIVE CIRCUIT ENG/FRN/SPN
40	0G4220	1	DECAL, NEUTRAL CONNECTION
41	0H6389	1	DECAL, UTILITY LOAD SENSE 240V
42	0H7274	1	DECAL, 2008 NEC COMPLIANCE
43	0H1504	1	BUSBAR SPACER 400A SE T1, T2
44	074906	5	SCREW HHTT M6-1.0 X 20 BP
45	062707	1	LUG SOLDERLESS 250-#6 X 11MMAL/CU
46	0E7213	2	THUMB SCREW 1/4-20x1/2
(3) 47	063321	1	HANDLE TRANSFER SWITCH 1-400A
48	045764	8	SCREW HHTT M4-.7 X 8 BP
49	025870	1	NUT WING 1/4-20
(4) 50	046526	4	WASHER LOCK M10
(4) 51	022131	4	WASHER FLAT 3/8-M10 ZINC
(4) 52	052647	4	SCREW SHC M10-1.5 X 25 G12.9
53	0C3168	5	WASHER LOCK SPECIAL 5/16
54	022129	8	WASHER LOCK M8-5/16
55	022145	16	WASHER FLAT 5/16-M8 ZINC
56	022259	8	NUT HEX 5/16-18 STEEL
57	0G4218	4	SCREW HHC M4-0.7 X 25 G8.8
58	022264	4	WASHER LOCK #8-M4
59	038150	4	WASHER FLAT #8 ZINC
60	0C2162	1	ASSY NEUTRAL BLOCK 300-400A
61	0H7261	1	WIRING HARNESS 400A SE (NOT SHOWN)
62	0H7376A	1	ASSY PCB AC LOAD CONTROLLER
63	0H7270	1	CHANNEL SNAPTRACK 76.2 X 101.2
64	026902	4	SCREW HHTT M4-0.7 X 1/4 CZ
65	058000E	2	NUT TRIC 1/4-20 X .525

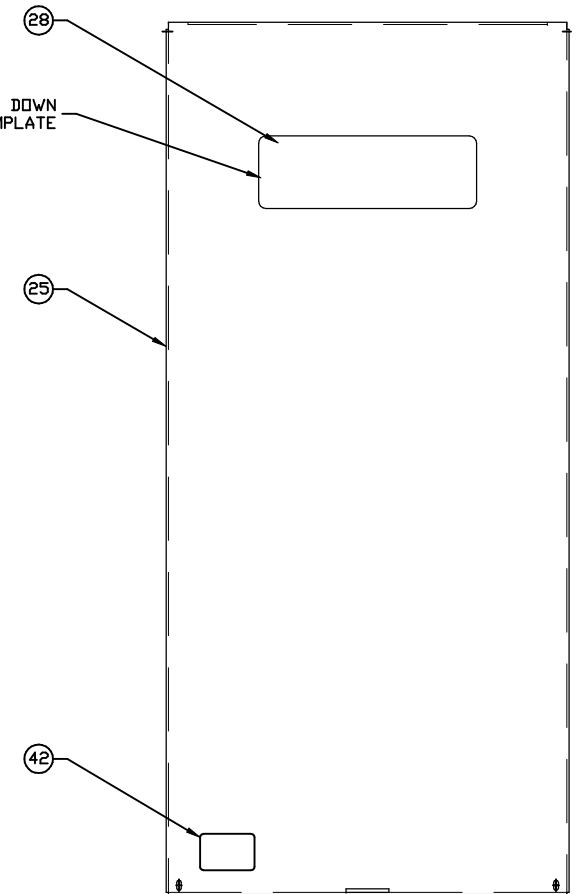
- (1) STRUCTURED IN HARNESS ITEM #61
- (2) INCLUDED WITH CIRCUIT BREAKER ITEM #2
- (3) INCLUDED WITH TRANSFER SWITCH ITEM #1
- (4) TOTAL QUANTITY (4) INCLUDED WITH CIRCUIT BREAKER ITEM #2

GROUP C

VIEWS SHOWN WITH ITEMS #24 & #25 FULLY ASSEMBLED
DECAL DETAILS



CENTER DECAL APPROXIMATELY 6-1/4" DOWN
FROM TOP OF COVER USING ASSEMBLY TEMPLATE



EXPLODED VIEW:
400A SERVICE ENTRANCE TRANSFER SWITCH
DRAWING #: 0H7268A

EXPLODED VIEW: 400A SERVICE ENTRANCE TRANSFER SWITCH

DRAWING #: 0H7268A

APPLICABLE TO:

GROUP C

THIS PAGE IS LEFT INTENTIONALLY BLANK