

RYOBI 10 in. TABLE SAW – MODEL NUMBER RTS31

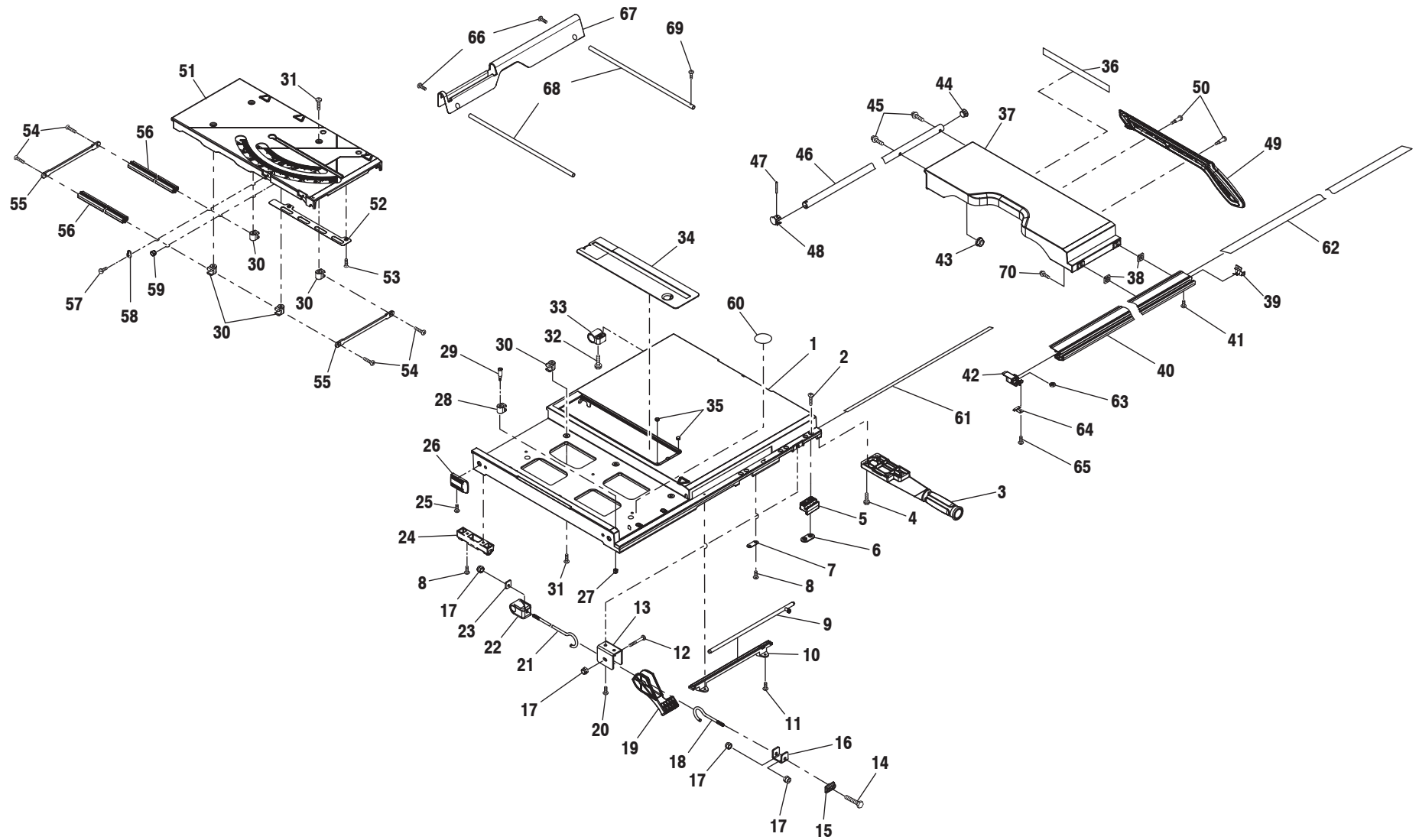


FIGURE A

RYOBI 10 in. TABLE SAW – MODEL NUMBER RTS31

The model number will be found on a label attached to the cabinet. Always mention the model number in all correspondence regarding your **10 in. PORTABLE TABLE SAW** or when ordering parts.

PARTS LIST FOR FIGURE A

KEY NO.	PART NUMBER	DESCRIPTION	QTY	KEY NO.	PART NUMBER	DESCRIPTION	QTY
1	089037012001	Table	1	24	089037011020	Out Feed Support Holder	2
2	089037012002	Screw (M6 x 25 mm, Pan Hd.).....	6	25	089037012010	Screw (M4 x 10 mm, Rnd. Hd.).....	2
3	0131020220	Table Tilt Handle	1	26	089037012011	Table Bumper.....	2
4	089110102019	Screw (10-32 x 25 mm, Hex Hd.)	4	27	411071003	Lock Nut	1
5	089037012003	Front Rail Stopper.....	3	28	0134010214	Adjustment Block	1
6	089037012004	Block Plate.....	3	29	0134010801	Adjustment Screw.....	1
7	0134010304	Shim.....	1	30	0134010216	Block.....	7
8	089110110032	Screw (10-24 x 1/2 in., Pan Hd.).....	6	31	410561013	Screw (M5 x 16 mm, Rnd. Hd.).....	7
9	0134010911	Miter Table Latch	1	32	089037012013	Screw (M6 x 30 mm, Hex Hd.).....	6
10	089037012005	Miter Table Latch Guide.....	1	33	089037012014	Rear Rail Support	3
11	410171721	Screw (8-32 x 3/8 in., Rnd. Hd. Triangle).....	2	34	089037012713	Throat Plate Assembly	1
12	410031002	Bolt (M6 x 40 mm)	1	35	089037011004	Magnet.....	2
13	0134010306	Lever Holder	1	36	089110110901	Tear Down Label	1
14	410011013	Screw (M6 x 40 mm, Hex Hd.).....	1	37	089037012019	Auxiliary Table.....	1
15	0134010206	Holder	1	38	089037012020	Sliding Rod Nut Insert.....	2
16	0134010332	Adjustment Block	1	39	089037012021	Front Rail Right End Cap	1
17	411071001	Lock Nut (M6)	4	40	089037012022	Front Rail.....	1
18	0134010902	Short Linkage.....	1	41	410191003	Screw (M4 x 12 mm).....	1
19	089037012006	Extension Table Lock Lever	1	42	089037012023	Auxiliary Table Indicator.....	1
20	410251017	Screw w/Washer (M6 x 12 mm, Rnd. Hd.).....	2	43	411061001	Lock Nut (M6)	1
21	089037012007	Long Driving Bar	1	44	089037012025	Rear Rail End Cap	1
22	089037012008	Rear Rail Holder.....	1	45	089037011027	Screw (M6 x 25 mm, Hex Hd.).....	2
23	089037012009	Enforcement Block	1				

RYOBI 10 in. TABLE SAW – MODEL NUMBER RTS31

The model number will be found on a label attached to the cabinet. Always mention the model number in all correspondence regarding your **10 in. PORTABLE TABLE SAW** or when ordering parts.

PARTS LIST FOR FIGURE A

KEY NO.	PART NUMBER	DESCRIPTION	QTY	KEY NO.	PART NUMBER	DESCRIPTION	QTY
46	089037012026	Rear Rail	1	61	089037012906	Outer Front Rail Scale.....	1
47	414011003	Roll Pin (D4 x 20 mm)	1	62	089037012905	Front Rail Scale.....	1
48	089037012027	Rear Rail End Cap	1	63	089037012061	Hex Nut (M4).....	1
49	089037007006	Push Stick.....	1	64	089037012062	Front Rail Hook.....	1
50	089037007007	Screw (M4, Pan Hd.).....	2	65	089037012063	Screw (M4 x 12 mm, Pan Hd.).....	1
51	089037012028	Miter Table	1	66	410551701	Screw w/Washer (1/4-2 x 1/2 in., Pan Hd.).....	2
52	0134010309	Positioning Plate	1	67	0134010322-58	Outfeed Support	1
53	410181001	Screw (M4 x 7 mm).....	2	68	089037011019	Outfeed Support Rod	2
54	089110102045	Screw w/Washer (M4 x 16 mm, Soc. Hd.).....	4	69	410192001	Screw (M4 x 10 mm).....	2
55	0134010314	Block Rod	2	70	089037012024	Screw (M6 x 12 mm, Hex Hd.).....	2
56	089037012029	Sliding Bar	2	Not Shown:			
57	0134010910	Locking Pin	2		089260001699	Dado Throat Plate (Optional)	1
58	0181010501	Quick Stop.....	2		988000931	Operator's Manual	
59	0134010802	Lock Nut	2		8-19-13 (Rev:03)		
60	9134015330201	Pinch Point Label.....	1				

RYOBI 10 in. TABLE SAW – MODEL NUMBER RTS31

The model number will be found on a label attached to the cabinet. Always mention the model number in all correspondence regarding your **10 in. PORTABLE TABLE SAW** or when ordering parts.

PARTS LIST FOR FIGURE B

KEY NO.	PART NUMBER	DESCRIPTION	QTY	KEY NO.	PART NUMBER	DESCRIPTION	QTY
1	089037012714	Cabinet	1	27	410499007	Screw (M5 x 8 mm, Hex Soc. Hd.)	2
2	410499006	Screw (M8 x 40 mm, Half Rnd. Soc. Hd.).....	4	28	0134010320	Reinforcement Plate	1
3	0134010238	Knob Ring	1	29	410181001	Screw (M4 x 7 mm).....	4
4	0134010331	Wrench B	1	30	089037012907	Bevel Lock Level Label.....	1
5	0134010340	Wrench A	1	31	412011074	Washer (D10 x D26 x 2t).....	1
6	0131020211	Wing Nut.....	1	32	0134011301	Rubber Pad.....	1
7	410031710	Bolt (5/16-18 x 1-1/2 in.).....	1	33	0134010230	Lock Lever	1
8	089037012715	Power Cord Assembly (Inc. Key Nos. 9 and 50-51)	1	34	089037012034	Lock Screw	1
9	451010003	Strain Relief.....	1	35	0134010316	Lock Bushing.....	1
10	089110109712	Switch Assembly w/Key (Inc. Key No. 12).....	1	36	410138743	Screw (8-32 x 1 in., Pan Hd.).....	1
11	410601004	Screw (M4 x 18 mm, Pan Hd.).....	4	37	0134010224	Cam	1
12	984406003	Switch Key	1	38	0134010228	Rack.....	1
13	0121010242	Cord Clamp (3/8 in.).....	1	39	089037012903	Bevel Scale Label	1
14	410191003	Screw (M4 x 12 mm).....	1	40	0134010233	Indicator.....	1
15	410161010	Screw (M6 x 25 mm, Hex Hd.).....	5	41	410331010	Screw w/Washer (M5 x 8 mm, Rnd. Hd.).....	2
16	0000120817	Screw (8-16 x 19.05 mm, Pan Hd.).....	5	42	0134010221	Hand Wheel	1
17	0131010210	Cord Clamp	1	43	411072702	Lock Nut (1/4-20).....	1
18	0131010209	Switch Box.....	1	44	0134110904	Elevating Shaft.....	1
19	089037012901	Front Panel Label.....	1	45	414011003	Roll Pin (D4 x 20 mm)	1
20	089037012902	Front Panel Warning Label	1	46	089037011025	Hand Wheel Cap.....	1
21	411071004	Lock Nut (M10)	1	47	412012041	Washer (ID6.5 x OD13 x 1.5t)	1
22	0134010236	Lock Ring.....	1	48	0131020212	Hand Wheel Lever	1
23	412011117	Washer (D10 x D23 x 2t)	1	49	0101140203	Hand Wheel Knob Screw.....	1
24	0134010339	Cam	2	50	089037007902	Cord Wrap Label (FR/SP)	1
25	410134005	Screw (M4 x 5 mm, Pan Hd.).....	2	51	089037012060	Cord Wrap	1
26	412042002	External Tooth Washer (4 mm).....	4	52	089037012904	Data Label.....	1
				53	0101010907	Compression Spring.....	1

RYOBI 10 in. TABLE SAW – MODEL NUMBER RTS31

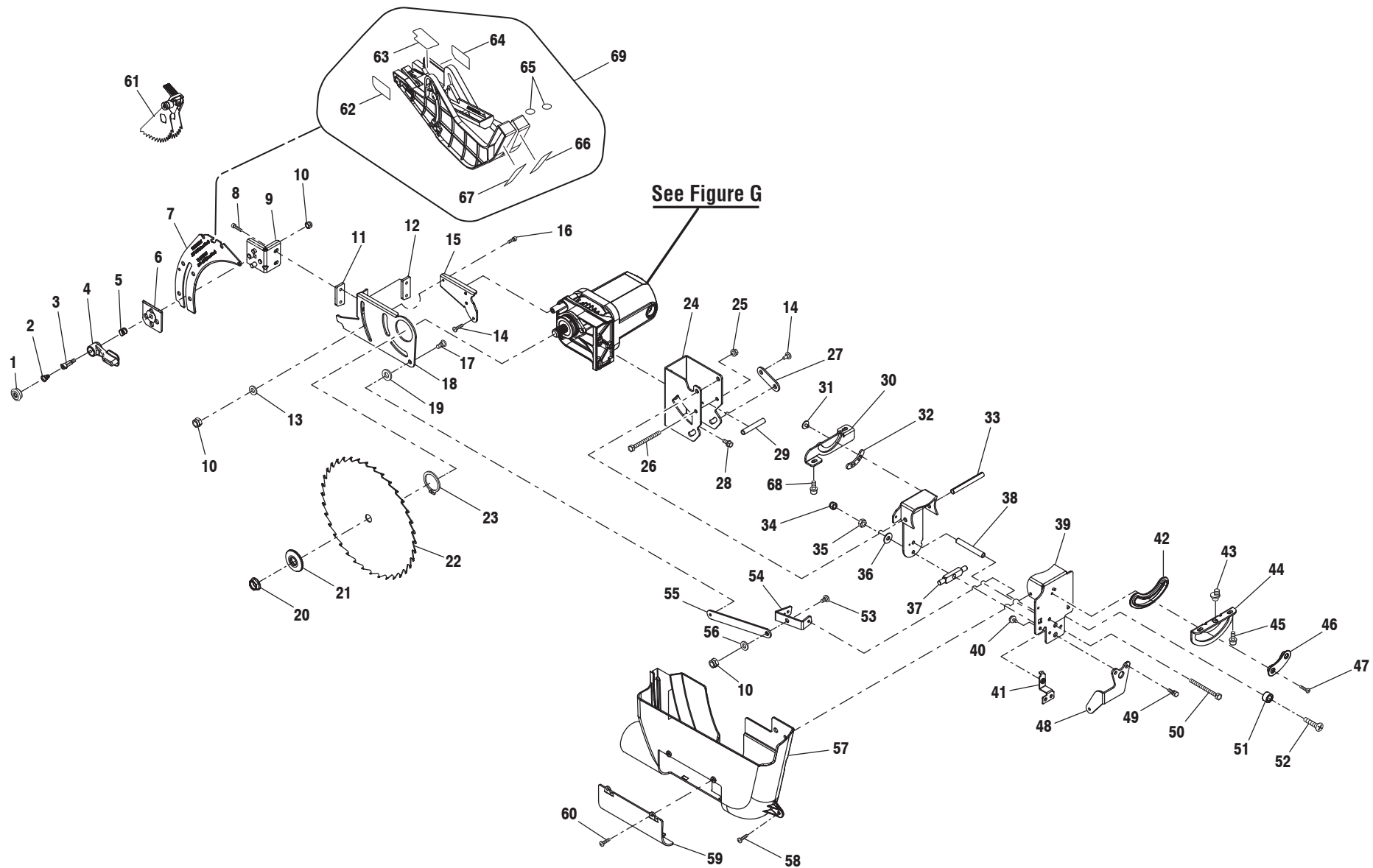


FIGURE C

RYOBI 10 in. TABLE SAW – MODEL NUMBER RTS31

The model number will be found on a label attached to the cabinet. Always mention the model number in all correspondence regarding your **10 in. PORTABLE TABLE SAW** or when ordering parts.

PARTS LIST FOR FIGURE C

KEY NO.	PART NUMBER	DESCRIPTION	QTY	KEY NO.	PART NUMBER	DESCRIPTION	QTY
1	089037007028	Cap	1	18	089037012053	Lever	1
2	089037007027	Spring	1	19	412011109	Washer (ID5.2 x OD24 x 2t)	1
3	089037007026	Latch	1	20	0181010804	Arbor Nut (5/8-18).....	1
4	089037012056	Riving Knife Lever.....	1	21	089110110036	Blade Washer.....	1
5	089110113023	Compression Spring	1	22	089110110001	Blade (36T).....	1
6	089037012055	Clamp Sheet	1	23	089037012058	C-Ring.....	1
7	089037007702	Riving Knife.....	1	24	089037012037	Motor Bracket.....	1
8	089037007022	Screw w/Washer (M6 x 20 mm, Hex Soc. Hd.)	2	25	411061001	Lock Nut (M6)	1
9	089037012054	Riving Knife Base.....	1	26	410011027	Screw (M6 x 70 mm, Hex Hd.).....	1
10	411071001	Lock Nut (M6)	3	27	089037012041	Small Driving Bar	1
11	089037007021	Clamp	1	28	410161001	Screw (M6 x 15 mm, Hex Hd.).....	3
12	089037007020	Lock Clamp.....	1	29	0134010907	Spacer	1
13	412011030	Washer (ID6.5 x D16 x 1.5t)	1	30	089037012042	Rear Bevel Deck	1
14	089110110032	Screw (10-24 x 1/2 in., Pan Hd.).....	2	31	089110113039	Screw w/Washer (M5 x 8 mm, Rnd. Hd.).....	2
15	089037012052	Dust Chute Reinforcement Lever	1	32	089110113018	Trunnion Slider	1
16	089037012039	Screw w/Washer (M6 x 15 mm, Hex Soc. Hd.)	1	33	414011002	Pin (D8 x 90 mm)	1
17	089037012038	Screw (Special).....	1	34	411071707	Lock Nut (1/4-20).....	1
				35	411011707	Hex Nut (1/4-20)	1
				36	412011030	Washer (ID6.5 x OD16 x 1.5t)	1

RYOBI 10 in. TABLE SAW – MODEL NUMBER RTS31

The model number will be found on a label attached to the cabinet. Always mention the model number in all correspondence regarding your **10 in. PORTABLE TABLE SAW** or when ordering parts.

PARTS LIST FOR FIGURE C

KEY NO.	PART NUMBER	DESCRIPTION	QTY	KEY NO.	PART NUMBER	DESCRIPTION	QTY
37	089037012046	Block.....	1	54	089037012050	Positioning Bracket.....	1
38	089037012044	Spacer	1	55	089037012051	Pull Rod	1
39	089037012045	Bevel Pivot Plate.....	1	56	412012701	Washer (ID1/4 in. x D16 x 1t)	1
40	410291006	Screw w/Washer (M8 x 10 mm, Hex Hd.).....	1	57	089037012057	Dust Chute.....	1
41	0134010317	Indicator Bracket	1	58	410331003	Screw w/Washer (M6 x 10 mm, Rnd. Hd.).....	2
42	089110110034	Slider.....	1	59	0134010226	Dust Chute Cover	1
43	0121010901	Eccentric Shaft	1	60	410191003	Screw (M4 x 12 mm).....	2
44	089110110033	Bevel Deck.....	1	61	089037012709	Anti-Kick Back Pawl Assembly.....	1
45	410371003	Screw w/Washer (M6 x 12 mm, Hex Soc. Hd.)	2	62	089037007912	Outer Guard Warning Label.....	1
46	0134010220	Bevel Moving Block	1	63	089037007908	Warning Label (Upper Barrier)	1
47	410109008	Screw (M5 x 12 mm, Pan Hd.).....	2	64	089037007911	Inner Guard Warning Label.....	1
48	089037012047	Support Bracket	1	65	089110113913	No Hands Warning Label.....	2
49	410291004	Screw w/Washer (M6 x 10 mm, Hex Hd.).....	2	66	089037007909	Blade Guard Warning Label (Right)	1
50	089037012048	Bolt (M6 x 80 mm, Hex Hd.)	1	67	089037007910	Blade Guard Warning Label (Left).....	1
51	0134010503	Plate.....	1	68	089037012103	Screw w/Washer (M6 x 15 mm, Hex Soc. Hd.)	2
52	410109019	Screw (M6 x 20 mm, Pan Hd.).....	1	69	089037007700	Blade Guard Assembly (Inc. Key Nos. 62-67)	1
53	089037012049	Screw (M6 x 12 mm, Special).....	1				

RYOBI 10 in. TABLE SAW – MODEL NUMBER RTS31

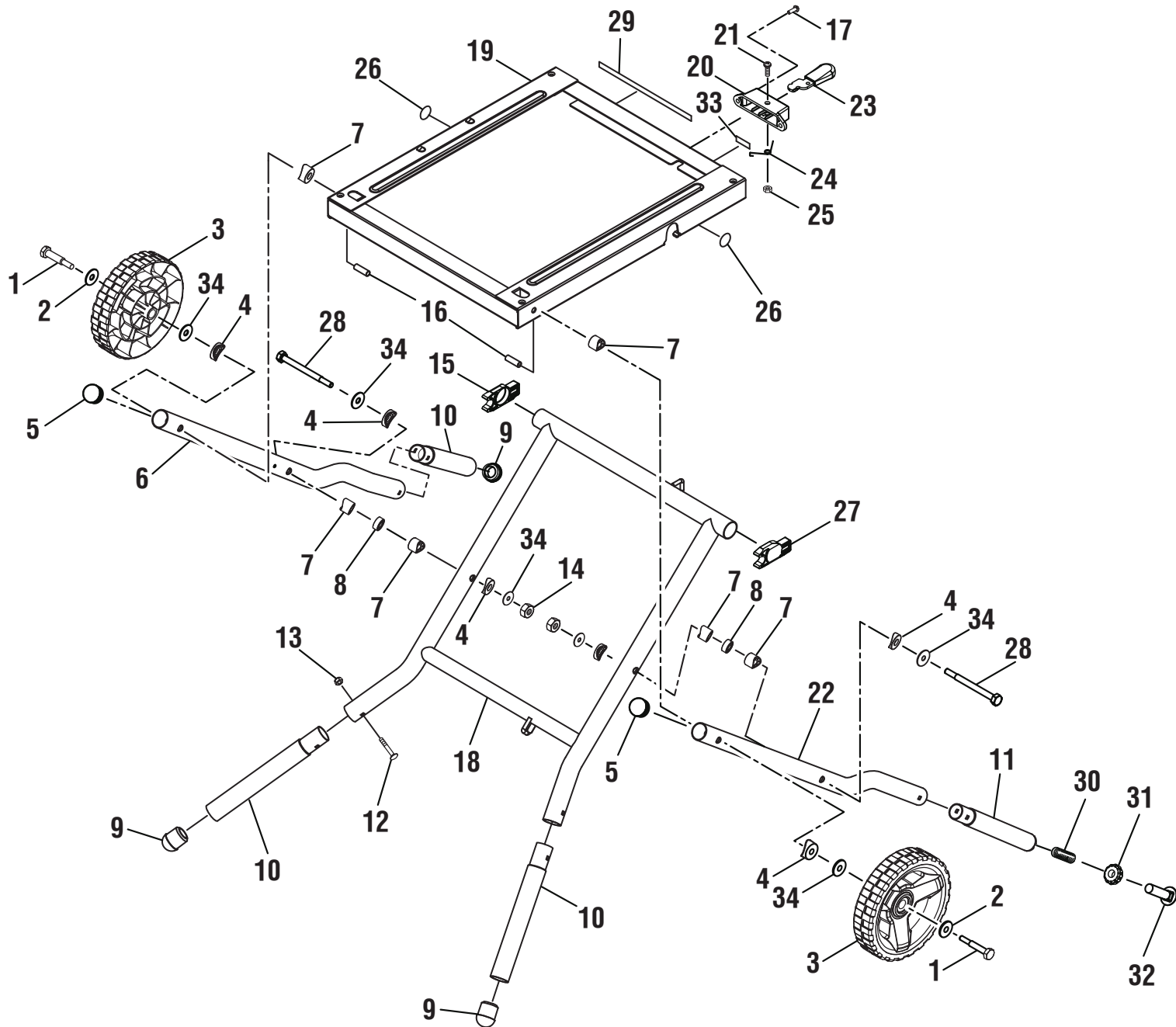


FIGURE D

RYOBI 10 in. TABLE SAW – MODEL NUMBER RTS31

The model number will be found on a label attached to the cabinet. Always mention the model number in all correspondence regarding your **10 in. PORTABLE TABLE SAW** or when ordering parts.

PARTS LIST FOR FIGURE D

KEY NO.	PART NUMBER	DESCRIPTION	QTY	KEY NO.	PART NUMBER	DESCRIPTION	QTY
1	089037012077	Screw (M10 x 142 mm).....	2	19	089037012071	Base.....	1
2	089037012114	Washer (D12 x D26 x 1.5t).....	4	20	089037012070	Latch Holder.....	1
3	089037012078	Wheel.....	2	21	089037012069	Screw (M6 x 27 mm, Hex Soc. Hd.).....	1
4	0131020209	Short Stand Block.....	6	22	089037012081	Front Stand Leg Tube.....	1
5	0131020217	Cap.....	2	23	0134110325R	Latch.....	1
6	089037012075	Rear Stand Leg Tube.....	1	24	0131010915	Latch Spring.....	1
7	0131020208	Long Stand Block.....	6	25	089110102027	Lock Nut (M6).....	1
8	0131020210	Stand Sleeve.....	2	26	9134015330202	Stand Pinch Icon Label.....	2
9	0131011303	Cap.....	3	27	0131010231	Front Slider.....	1
10	089037012074	Fixed Leg.....	3	28	0131020801	Screw (M12 x 142.8 mm).....	2
11	089037012082	Adjusting Leg.....	1	29	089110110901	Tear Down Label.....	1
12	089037012115	Carriage Bolt (1/4-20 x 42 mm).....	4	30	0131010918	Adjustment Spring.....	1
13	411071702	Lock Nut (1/4-20).....	4	31	0121010212	Adjustment Lever.....	1
14	411072002	Lock Nut (M12).....	2	32	410031012	Carriage Bolt (M12 x 75 mm).....	1
15	0131010230	Rear Slider.....	1	33	9134015335704	Stand Unlock Label.....	1
16	089037012072	Spacer.....	2	34	089037012076	Washer (D13.5 x D28 x 2t).....	4
17	089037012068	Screw (M4 x 10 mm, Pan Hd.).....	2		089037012711	Stand Assembly (Inc. Key Nos. 1-35).....	1
18	089037012073	Sliding Tube.....	1				

RYOBI 10 in. TABLE SAW – MODEL NUMBER RTS31

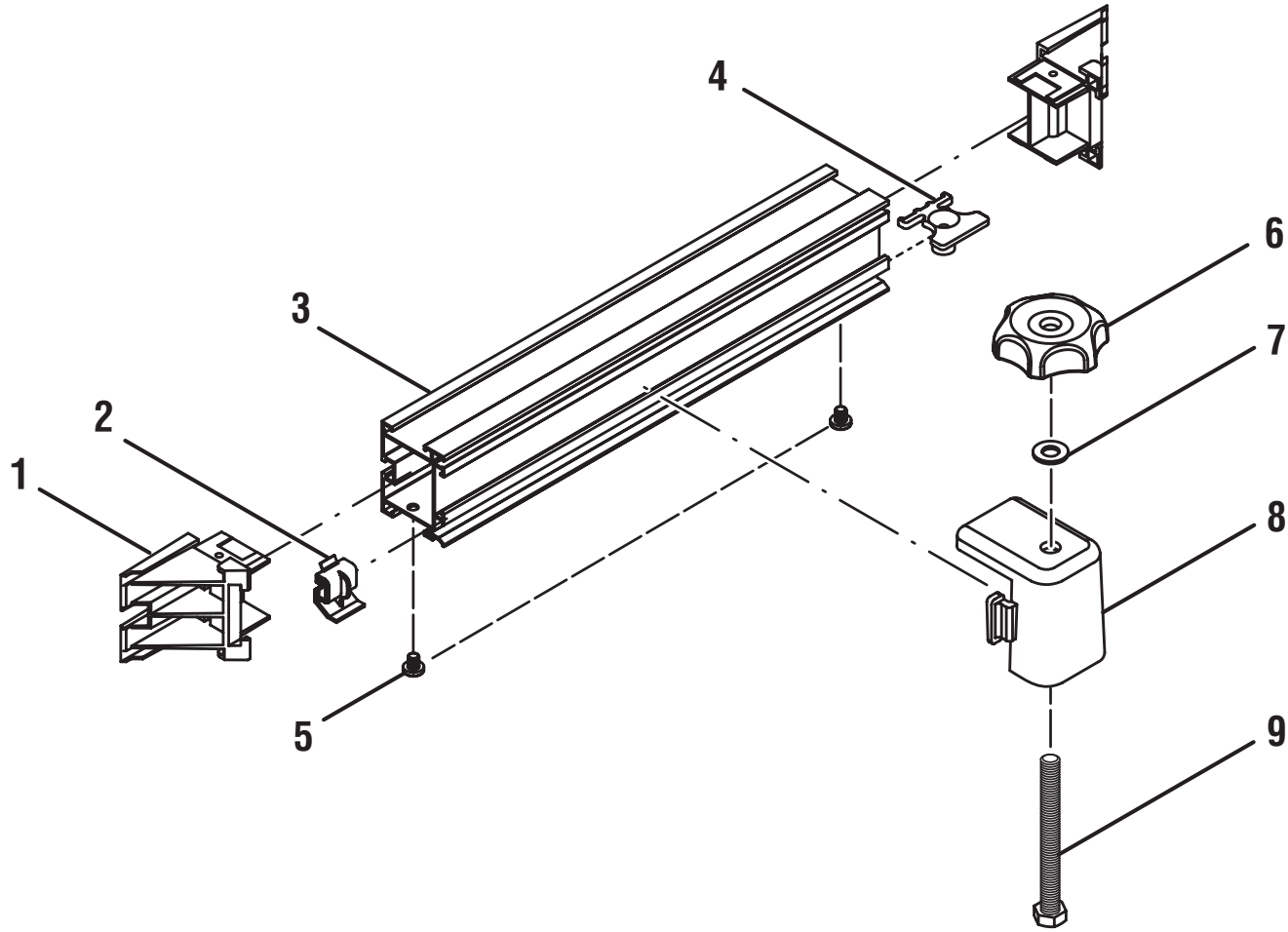


FIGURE E

KEY NO.	PART NUMBER	DESCRIPTION	QTY
1	089037012095	Cap	2
2	0181010208-58	Miter Indicator.....	1
3	0134011801	Miter Rod	1
4	089037012113	Locator Pin	1
5	410451702	Screw (3/16 in.).....	2

KEY NO.	PART NUMBER	DESCRIPTION	QTY
6	0181010209	Miter Knob	1
7	412011051	Washer (ID8 x OD16 x 1.5t)	1
8	0181010210	Miter Base.....	1
9	410011717	Screw (5/16-18 x 3-1/4 in., Hex Hd.).....	1
	089037012708	Miter Fence Assembly (Inc. Key Nos. 1-9)	1

RYOBI 10 in. TABLE SAW – MODEL NUMBER RTS31

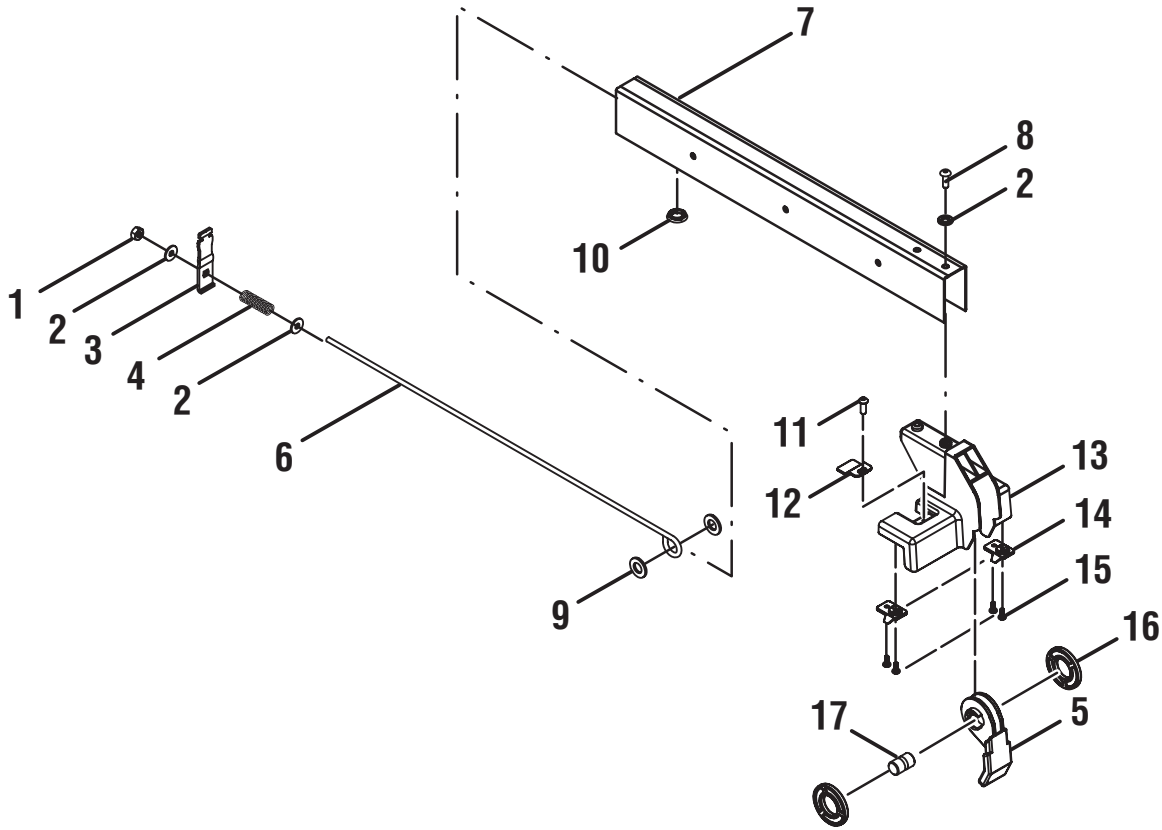


FIGURE F

KEY NO.	PART NUMBER	DESCRIPTION	QTY
1	411071001	Lock Nut (M6)	1
2	412011030	Washer (ID6.5 x OD16 x 1.5t)	4
3	089037011032	Rear Clamp Plate.....	1
4	0121010915	Compression Spring.....	1
5	0134010231	Fence Lever	1
6	0134010904	Hand Wheel Rod.....	1
7	0134011805	Rip Fence Extrusion.....	1
8	410051001	Screw (M6 x 15 mm, Hex Hd.).....	2
9	412011115	Washer (ID16 x OD25 x 1.5t)	2

KEY NO.	PART NUMBER	DESCRIPTION	QTY
10	0131020209	Fence Slider.....	1
11	410331008	Screw w/Washer (M4 x 10 mm, Pan Hd.).....	1
12	089037012065	Fence Indicator.....	1
13	089037012066	Fence Block.....	1
14	089037012067	Fence Slider.....	2
15	410101713	Screw (8-32 x 1/2 in.).....	4
16	0121010210	Crank Ring	2
17	0134010241	Crank Shaft.....	1
	089037012707	Rip Fence Assembly (Inc. Key Nos 1-17)	1

RYOBI 10 in. TABLE SAW – MODEL NUMBER RTS31

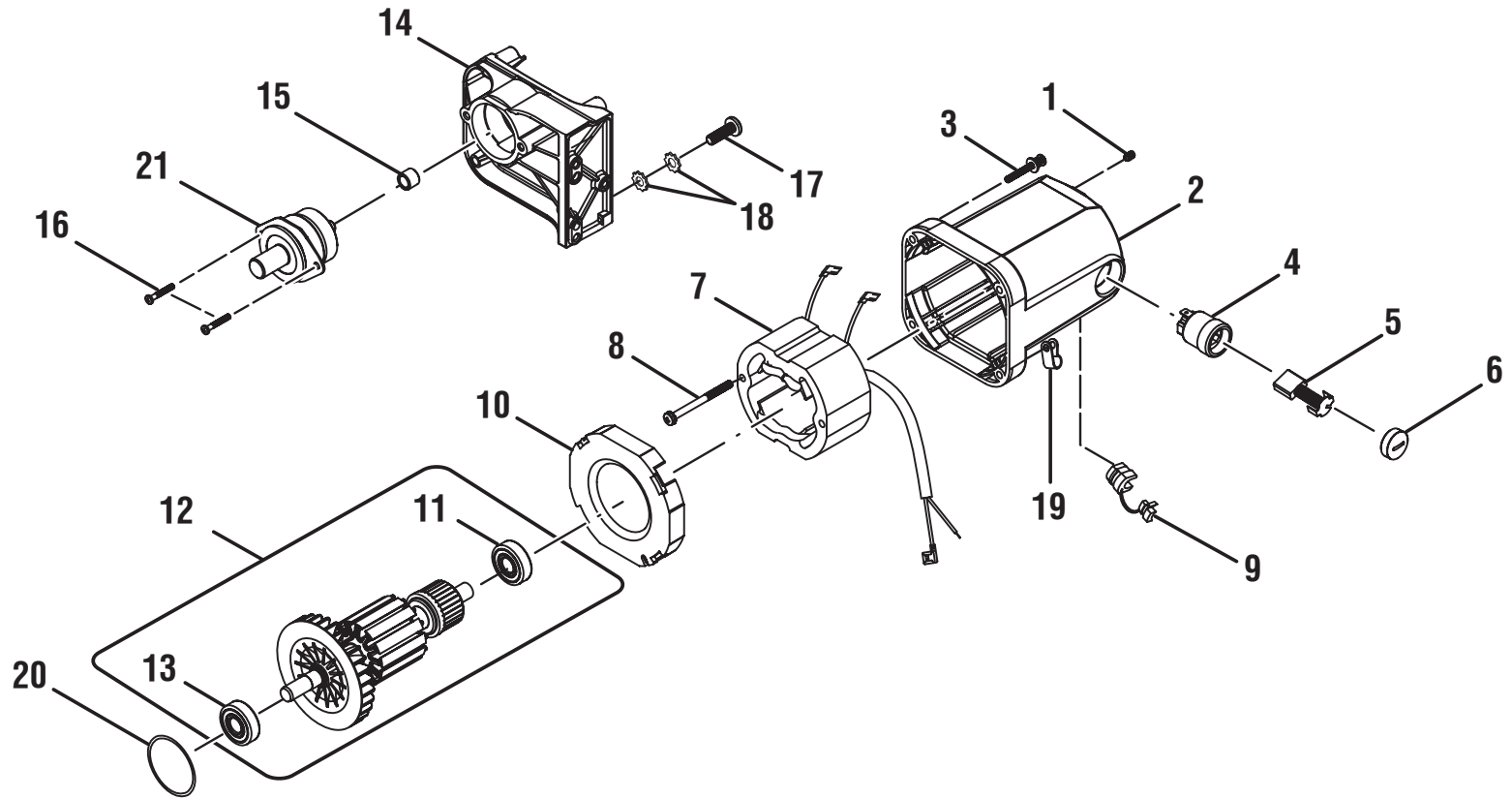


FIGURE G

KEY NO.	PART NUMBER	DESCRIPTION	QTY	KEY NO.	PART NUMBER	DESCRIPTION	QTY
1	410071005	Screw (M5 x 8 mm).....	2	12	089037012712	Armature Assembly (Inc. Key Nos. 11 and 13).....	1
2	0134010201	Motor Housing.....	1	13	089110110027	Ball Bearing (6201 ZLU C3)	1
3	410252030	Screw w/Washer (M5 x 35 mm).....	4	14	089037012064	Gear Box.....	1
4	0121010243R	Brush Holder.....	2	15	420110004	Needle Bearing	1
5	0502025007	Brush	2	16	089037012105	Screw (M5 x 13.5 mm, Pan Hd.).....	2
6	0121010238	Brush Holder Cap	2	17	410174721	Screw (8-32 x 3/8 in.).....	1
7	089037012705	Stator Assembly	1	18	412042002	External Tooth Washer (4 mm).....	2
8	410582002R	Screw w/Washer (M5 x 65 mm).....	2	19	0121010242	Cord Clamp (3/8 in.).....	1
9	451010003	Bend Relief	1	20	441010012	O-Ring	1
10	0134010202	Baffle.....	1	21	089037012703	Arbor Assembly	1
11	089110110026	Ball Bearing (6200 ZZ C3).....	1		089037012702	Motor Assembly (Inc Key Nos. 1-21).....	1