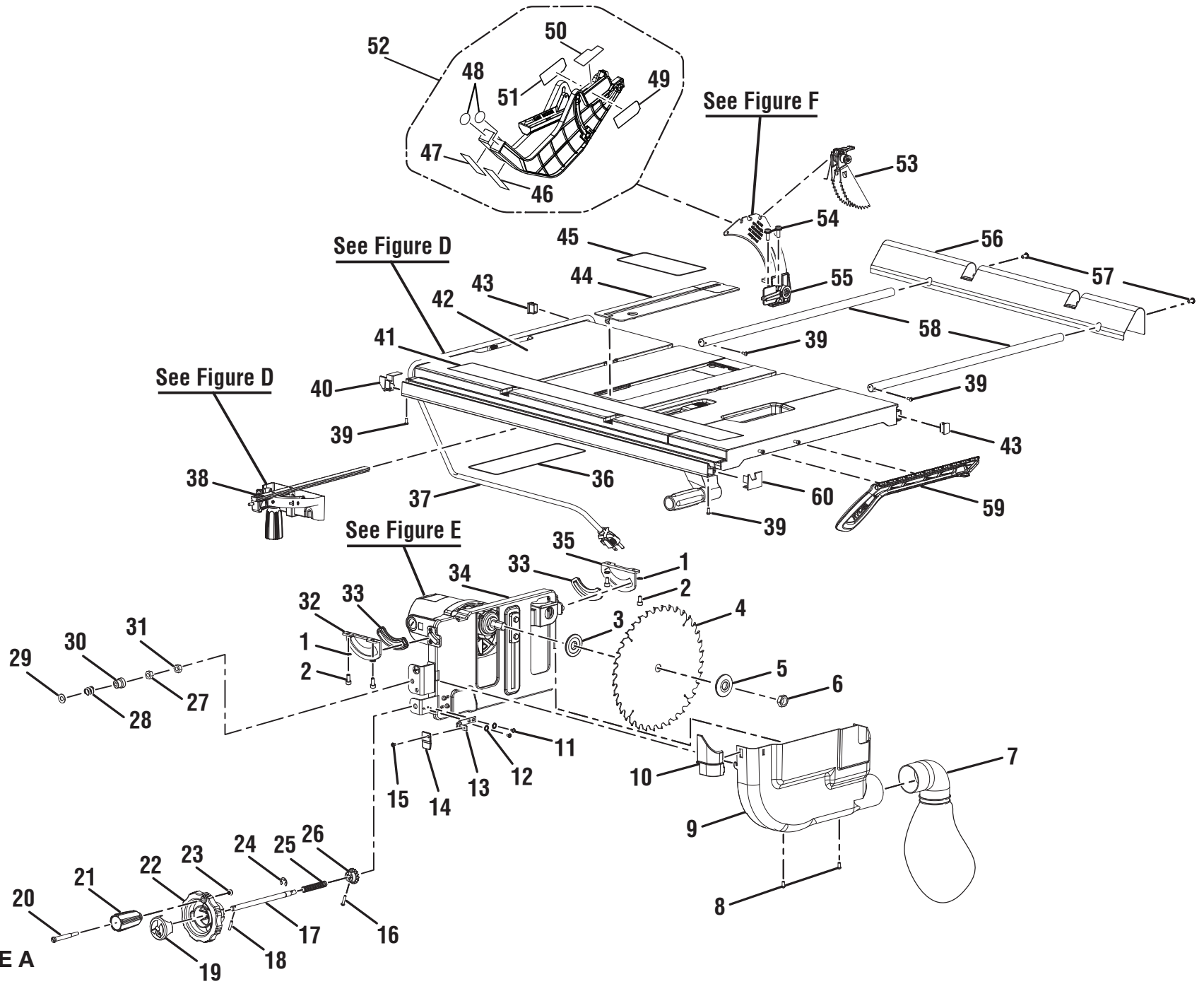


RYOBI 10 in. PORTABLE TABLE SAW - MODEL NUMBER RTS30



RYOBI 10 in. PORTABLE TABLE SAW – MODEL NUMBER RTS30

The model number will be found on a label attached to the cabinet. Always mention the model number in all correspondence regarding your **10 in. PORTABLE TABLE SAW** or when ordering parts.

PARTS LIST FOR FIGURE A

KEY NO.	PART NUMBER	DESCRIPTION	QTY	KEY NO.	PART NUMBER	DESCRIPTION	QTY
1	089037008006	Star Washer (M6)	4	24	089037008026	E Ring	1
2	089037008210	Screw (M6 x 15 mm, Hex Hd.).....	4	25	089037008028	Spring (D11.8 x D9.8 x D1.0 x 65 mm)	1
3	089037008055	Inner Blade Washer	1	26	089037008023	Bevel Gear	1
4	089037008001	Saw Blade (36 Tooth).....	1	27	089037008038	Hex Nut (M8).....	1
5	089037008056	Outer Blade Washer.....	1	28	089037008208	Spring (D20.3 x D2 x 23 mm).....	1
6	089037008057	Hex Nut (5/8-18 x 8 mm)	1	29	089037008037	Washer (D18 x D8.5 x 2t)	1
7	089037008069	Dust Bag and Elbow Assembly	1	30	089037008209	Bevel Bushing (D20 x D8.5 x 16.9t)	1
8	089037008059	Screw (10-32 x 8 mm, Phillips Hd.)	2	31	089037008039	Hex Nut (M8).....	1
9	089037008058	Dust Chute.....	1	32	089037008007	Bevel Trunnion - Front	1
10	089037008178	Dust Chute Cover	1	33	089037008004	Slider - Undercarriage.....	2
11	089037008044	Screw (M4 x 10 mm, Phillips Hd.).....	2	34	089037008702	Motor Undercarriage Assembly	1
12	089037008018	Star Washer (M4)	2	35	089037008003	Bevel Trunnion - Rear	1
13	089037008043	Indicator Holder	1	36	089037007902	Cord Warning Label	1
14	089037008045	Bevel Indicator	1	37	089037008052	Power Cord (SJT 14 AWG x 3C x 2000 mm)	1
15	089037008046	Screw (M4 x 7 mm, Phillips Hd.).....	1	38	089037009702	Miter Gauge Assembly	1
16	089037008024	Screw (M4 x 20 mm, Phillips Hd.).....	1	39	089037008065	Screw (M4 x 10 mm, Phillips Hd.).....	4
17	089037008025	Elevation Rod.....	1	40	089037009003	Front Rail Indicator	1
18	089037008027	Spring Pin (D3.6 x 22 mm).....	1	41	089037009913	Rip Scale.....	1
19	089037008030	End Cap (Handwheel)	1	42	089037009701	Saw Table Assembly.....	1
20	089037008032	Screw (M6 x 65 mm, Special)	1	43	089037009004	End Cap (Rear Rail).....	2
21	089037008031	Handle.....	1	44	089037008061	Throat Plate Assembly.....	1
22	089037008029	Handwheel.....	1	45	089037008908	Warning Label.....	1
23	089037008033	Hex Nut (M6).....	1				

RYOBI 10 in. PORTABLE TABLE SAW – MODEL NUMBER RTS30

The model number will be found on a label attached to the cabinet. Always mention the model number in all correspondence regarding your **10 in. PORTABLE TABLE SAW** or when ordering parts.

PARTS LIST FOR FIGURE A

KEY NO.	PART NUMBER	DESCRIPTION	QTY	KEY NO.	PART NUMBER	DESCRIPTION	QTY
46	089037007909	Blade Guard Warning Label (Right)	1	56	089037009001	Outfeed Support	1
47	089037007910	Blade Guard Warning Label (Left).....	1	57	089037008064	Screw (M6 x 12 mm, Phillips Hd.).....	2
48	089110113913	No Hands Warning Label.....	2	58	089037008063	Rod (D16 x 1t x 535 mm).....	2
49	089037008905	Inner Guard Installation Label	1	59	089037008066	Push Stick.....	1
50	089037007908	Upper Barrier Warning Label	1	60	089037009002	Front Rail (Right End Cap)	1
51	089037008907	Outer Guard Installation Label	1	Not Shown:			
52	089037008704	Blade Guard Assembly (Inc. Key Nos. 46-51)	1		089037008711	Optional Dado Throat Plate	1
53	089037008705	Anti-Kickback Pawl Assembly	1		987000836	Operator's Manual	1
54	089037008060	Screw (M6 x 16 mm, Hex Hd.).....	2		7-24-13		
55	089037008703	Spreader/Riving Knife Assembly	1		(Rev:12)		

RYOBI 10 in. PORTABLE TABLE SAW - MODEL NUMBER RTS30

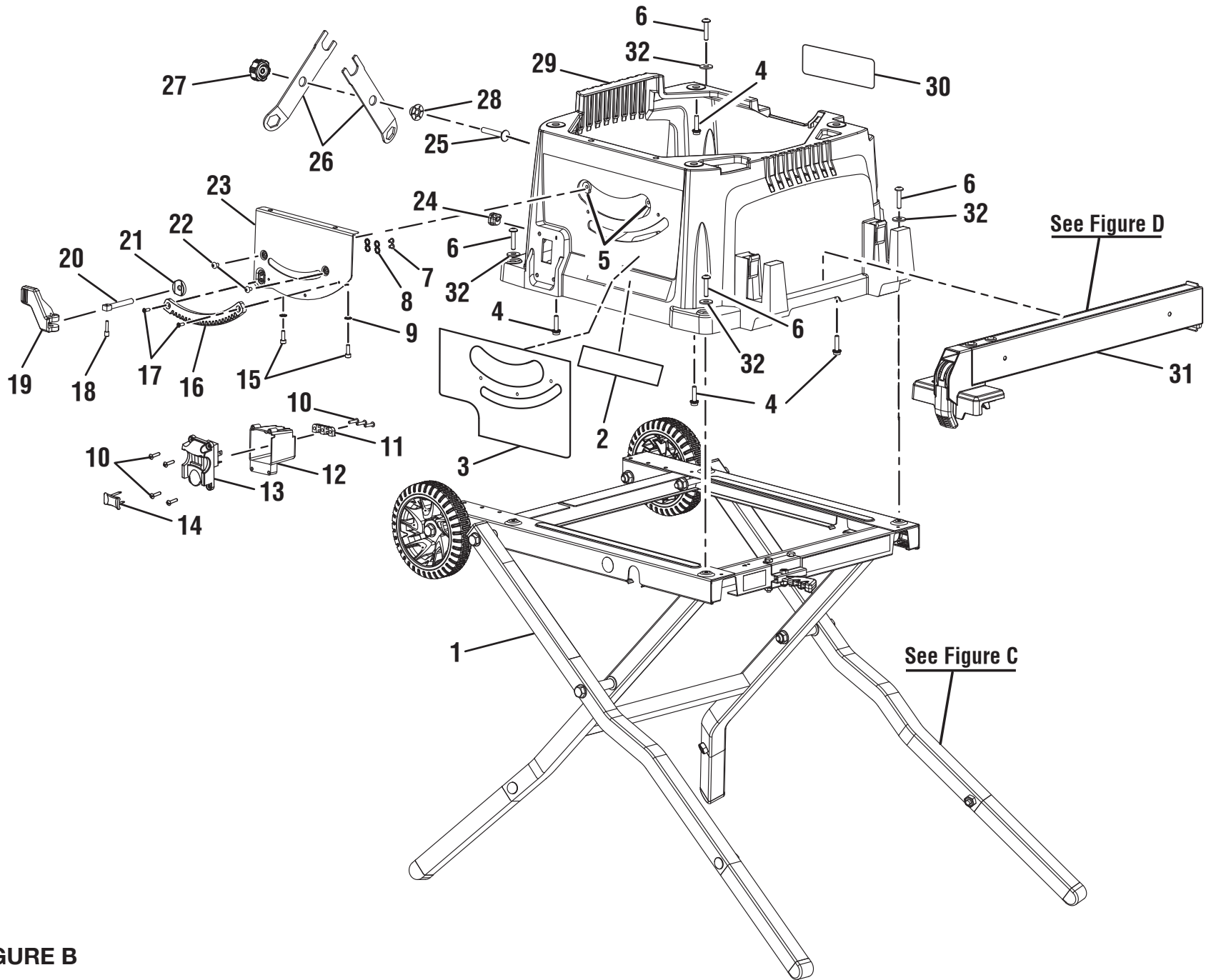


FIGURE B

RYOBI 10 in. PORTABLE TABLE SAW – MODEL NUMBER RTS30

The model number will be found on a label attached to the cabinet. Always mention the model number in all correspondence regarding your **10 in. PORTABLE TABLE SAW** or when ordering parts.

PARTS LIST FOR FIGURE B

KEY NO.	PART NUMBER	DESCRIPTION	QTY	KEY NO.	PART NUMBER	DESCRIPTION	QTY
1	089037009704	Leg Stand Assembly.....	1	17	089037008022	Screw (M4 x 15 mm, Flat Phillips)	2
2	089037008901	Warning Label (Cabinet)	1	18	089037008042	Screw (M4 x 18 mm, Hex Hd.).....	1
3	089037008902	Main Label (Cabinet).....	1	19	089037008041	Bevel Locking Lever	1
4	089037008213	Screw (M6 x 30 mm, Hex Hd.).....	4	20	089037008034	Screw (M8 x 51 mm).....	1
5	089037008019	Cam (4 mm)	2	21	089037008040	Pad	1
6	089037009093	Screw (M6 x 33 mm).....	4	22	089037008020	Screw (10-32 x 8 mm).....	2
7	089037008017	Screw (M4 x 5 mm, Pan Hd.).....	2	23	089037008014	Reinforcement Plate	1
8	089037008018	Star Washer (M4)	4	24	089037008051	Strain Relief.....	1
9	089037008016	Star Washer (M5)	2	25	089037008011	Carriage Bolt (M8 x 40 mm).....	1
10	089037008053	Screw (M4 x 18 mm, Phillips Hd.).....	7	26	089037008047	Blade Wrench	2
11	089037008054	Pad (Cord Clamp)	1	27	089037008048	Blade Knob	1
12	089037008050	Switch Box.....	1	28	089037008012	Ring, Knob.....	1
13	089110109712	Switch Assembly (Inc. Key No. 14).....	1	29	089037008212	Saw Cabinet	1
14	984406003	Switch Key.....	1	30	089037009903	Data Label.....	1
15	089037008015	Screw (M5 x 16 mm, Hex Hd.).....	2	31	089037009703	Rip Fence Assembly	1
16	089037008021	Gear Rack.....	1	32	089037009094	Washer (M6).....	4

RYOBI 10 in. PORTABLE TABLE SAW - MODEL NUMBER RTS30

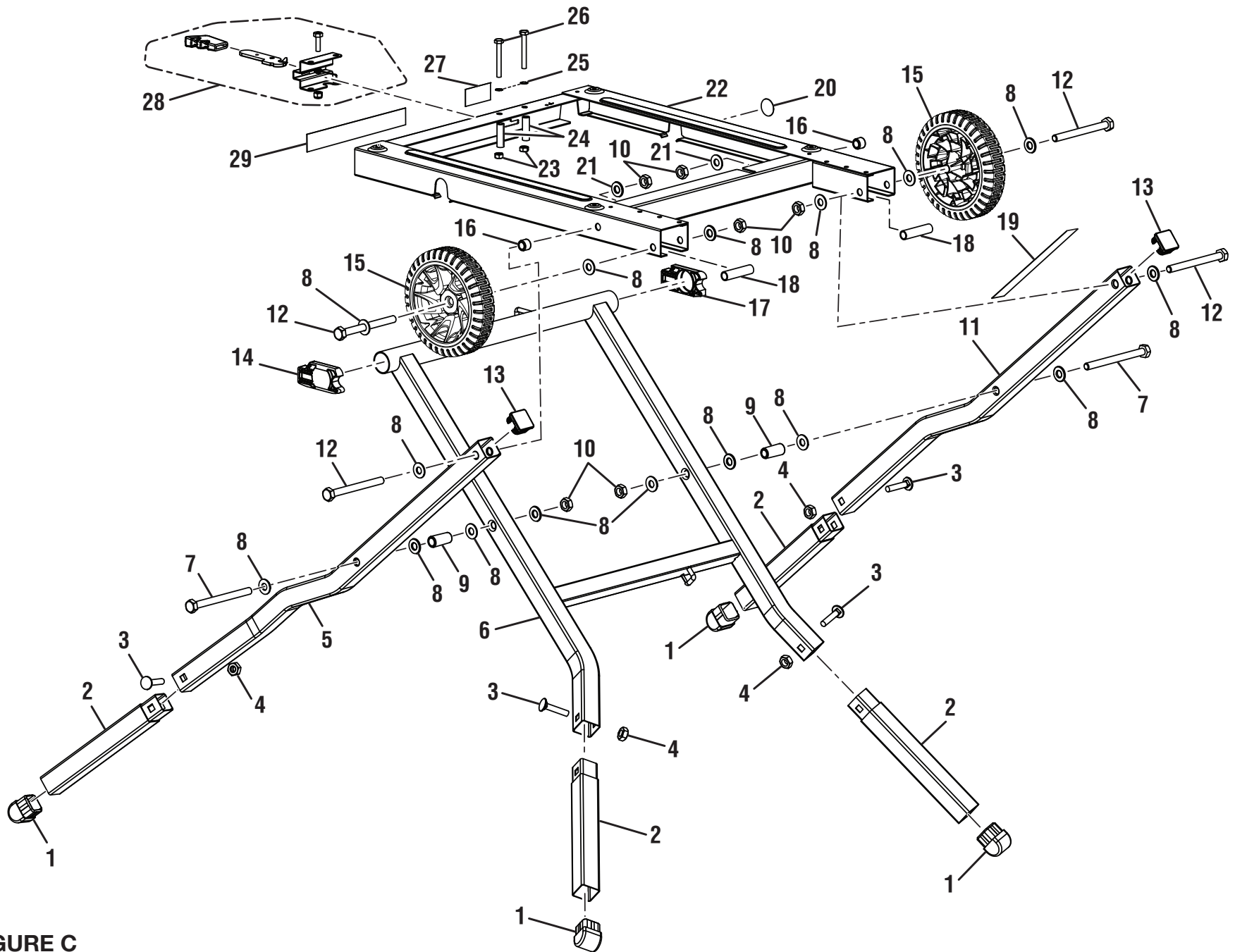


FIGURE C

RYOBI 10 in. PORTABLE TABLE SAW – MODEL NUMBER RTS30

The model number will be found on a label attached to the cabinet. Always mention the model number in all correspondence regarding your **10 in. PORTABLE TABLE SAW** or when ordering parts.

PARTS LIST FOR FIGURE C

KEY NO.	PART NUMBER	DESCRIPTION	QTY	KEY NO.	PART NUMBER	DESCRIPTION	QTY
1	089037009082	Foot.....	4	16	089037009069	Spacer (Short).....	2
2	089037009081	Leg Stand Tube (8 in.).....	4	17	089037009062	Slider (Left).....	1
3	089037009083	Carriage Bolt (M8 x 40 mm).....	4	18	089037009076	Spacer (D13 x D10.2 x 53 mm).....	2
4	089037008039	Hex Nut (M8).....	4	19	089037009078	Tear Down Label.....	1
5	089037009071	Leg (Right).....	1	20	089037009079	Stand Pinch Icon Label.....	1
6	089037009064	Tube.....	1	21	089037009068	Washer (D18 x D10.2 x 2t).....	2
7	089037009065	Bolt (M10 x 115 mm, Hex Hd.).....	2	22	089037009084	Bracket Assembly.....	1
8	089037009067	Washer (23 x10.2 x 2t).....	16	23	089037009061	Hex Nut (M6).....	2
9	089037009070	Spacer (Long).....	2	24	089037009060	Spacer (D10 x D8 x 34 mm).....	2
10	089037009072	Hex Nut (M10).....	6	25	089037008006	Washer (M6).....	2
11	089037009073	Leg (Left).....	1	26	089037009058	Hex Bolt (M6 x 48 mm).....	2
12	089037009066	Bolt (M10 x 105 mm, Hex Hd.).....	4	27	089037009080	Stand Unlock Label.....	1
13	089037009074	End Cap (Upper).....	2	28	089037009052	Stand Latch Assembly.....	1
14	089037009063	Slider (Right).....	1	29	089037009077	Setup Label.....	1
15	089037009075	Wheel.....	2				

RYOBI 10 in. PORTABLE TABLE SAW - MODEL NUMBER RTS30

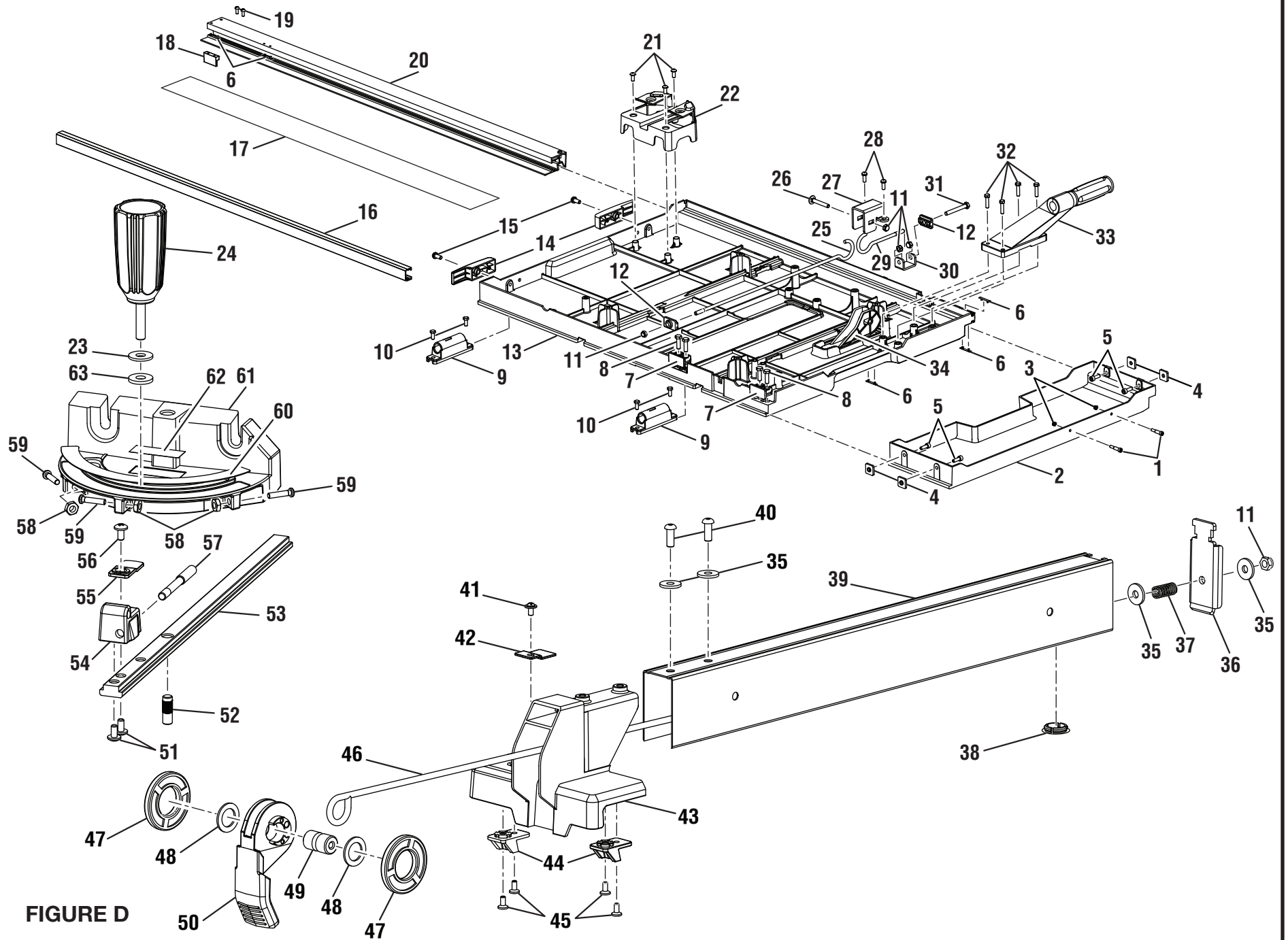


FIGURE D

RYOBI 10 in. PORTABLE TABLE SAW – MODEL NUMBER RTS30

The model number will be found on a label attached to the cabinet. Always mention the model number in all correspondence regarding your **10 in. PORTABLE TABLE SAW** or when ordering parts.

PARTS LIST FOR FIGURE D

KEY NO.	PART NUMBER	DESCRIPTION	QTY	KEY NO.	PART NUMBER	DESCRIPTION	QTY
1	089037008067	Screw (M3 x 10 mm).....	2	33	089037009013	Handle.....	1
2	089037009026	Sliding Table Extension.....	1	34	089037009017	Locking Lever	1
3	089037008068	Hex Nut (M3).....	2	35	089037008165	Washer (D1/4 x D16 x 1.5t).....	4
4	089037009027	Rail Holder Nut	4	36	089037009048	Rear Clamping Plate.....	1
5	089037009028	Screw (M5 x 15 mm, Hex Hd.).....	4	37	089037008167	Spring (D10.4 x D8 x D1.2 x 32 mm)	1
6	089037009010	Rail.....	5	38	089037008169	End Cap (Rip Fence).....	1
7	089037009011	Rear Rail Holder.....	2	39	089037008163	Rip Fence.....	1
8	089037009012	Screw (M6 x 20 mm).....	4	40	089037008164	Screw (M6 x 16 mm, Button Hd.)	2
9	089037008073	Outfeed Bracket.....	2	41	089037008157	Screw (M4 x 8 mm).....	1
10	089037008179	Screw (M5 x 12 mm, Hex Hd.).....	4	42	089037009050	Rip Fence Indicator.....	1
11	089037008033	Hex Nut (M6).....	5	43	089037009044	Rip Fence Block.....	1
12	089037009023	Clamp Block	2	44	089037009045	Block Slider.....	2
13	089037009006	Table	1	45	089037009046	Screw (M4 x 10 mm).....	4
14	089037009033	Bumper	2	46	089037008162	Rod- Rip Fence (D5.2 x 580 mm)	1
15	089037009034	Screw (M6 x 15 mm, Phillips Hd.).....	2	47	089037008161	Ring Pad	2
16	089037009032	Rear Rail	1	48	089037008160	Washer (D25 x D16 x 1.5t)	2
17	089037009904	Rip Scale (Table)	1	49	089037008159	Bushing.....	1
18	089037009030	Block-Rail	1	50	089037009091	Locking Lever	1
19	089037009031	Screw (M4 x 12 mm, Phillips Hd.).....	2	51	089037008065	Screw (M4 x 10 mm).....	2
20	089037009029	Rail (Front).....	1	52	089037009038	Roll Pin (D1/4 x 19 mm).....	1
21	089037008087	Screw (M4 x 12 mm, Phillips Hd.).....	3	53	089037009039	Miter Gauge Rod	1
22	089037008086	Miter Gauge Storage	1	54	089037009040	Indicator Holder	1
23	089037008153	Washer (D16 x D1/4 x 1.5t).....	1	55	089037009042	Indicator.....	1
24	089037008148	Lock Knob	1	56	089037009043	Screw (M4 x 10 mm).....	1
25	089037009018	Rod (Long)	1	57	089037009041	Pin (D6.15 x 23 mm)	1
26	089037009020	Bolt (M6 x 40 mm)	1	58	089037009037	Hex Nut (6-32).....	3
27	089037009015	Bracket	1	59	089037009036	Screw (6-32 x 20 mm).....	3
28	089037009016	Screw (M5 x 15 mm).....	2	60	089037009910	Scale (Miter Gauge)	1
29	089037009019	Rod (Short).....	1	61	089037009035	Miter Gauge	1
30	089037009021	T-Nut	1	62	089037009912	Logo Label.....	1
31	089037009022	Screw (M6 x 43 mm).....	1	63	089037008149	Washer (D16 x D6.5 x 1.8t).....	1
32	089037009014	Screw (M5 x 21 mm).....	4				

RYOBI 10 in. PORTABLE TABLE SAW - MODEL NUMBER RTS30

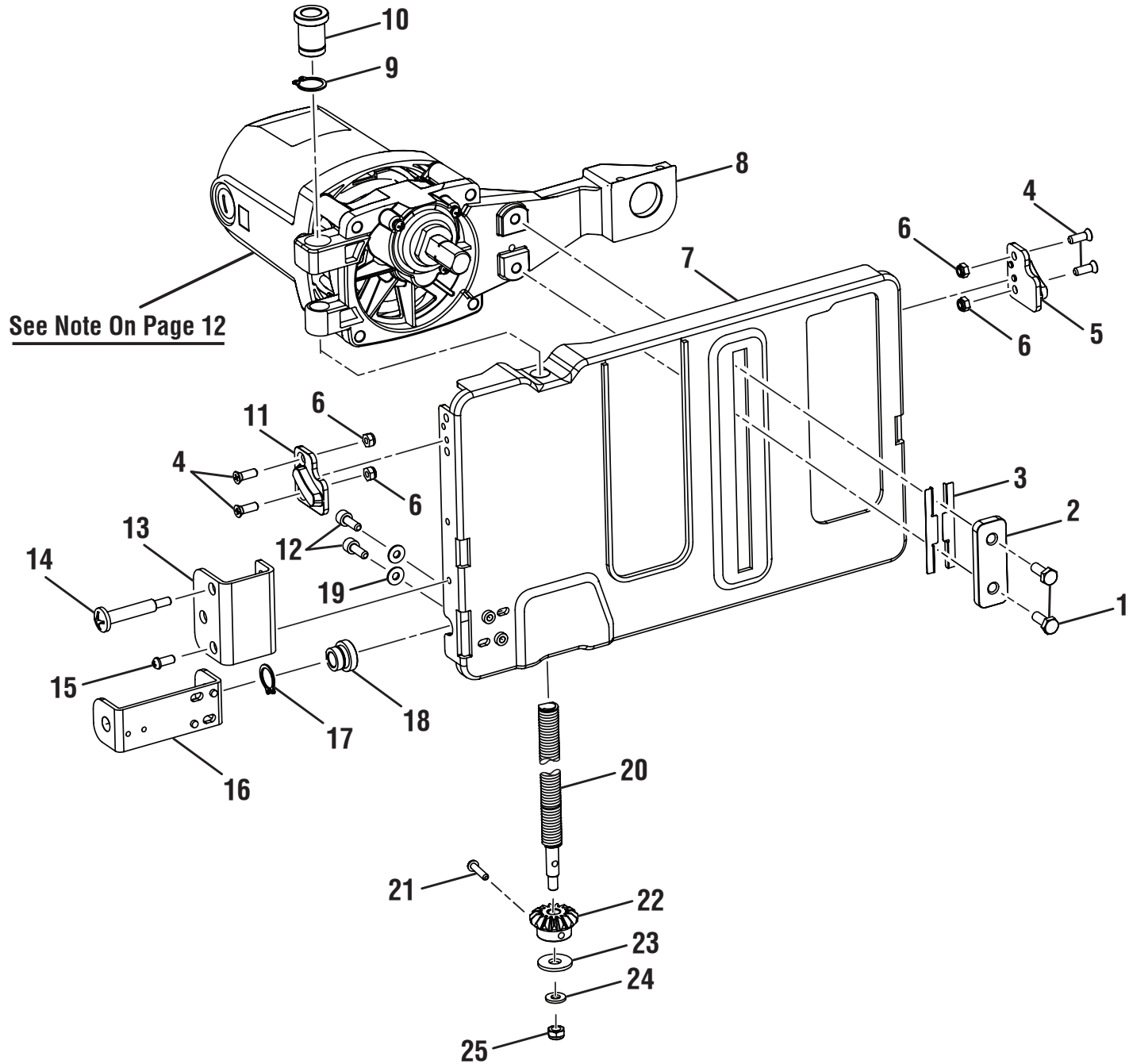


FIGURE E

RYOBI 10 in. PORTABLE TABLE SAW – MODEL NUMBER RTS30

The model number will be found on a label attached to the cabinet. Always mention the model number in all correspondence regarding your **10 in. PORTABLE TABLE SAW WITH QUICK STAND™** or when ordering parts.

PARTS LIST FOR FIGURE E

KEY NO.	PART NUMBER	DESCRIPTION	QTY	KEY NO.	PART NUMBER	DESCRIPTION	QTY
1	089037008207	Screw (M6 x 20 mm, Hex Hd.).....	2	14	089037008101	Screw (M5 x 12 mm).....	1
2	089037008094	T-Nut (Undercarriage).....	1	15	089037008102	Screw (M5 x 12 mm).....	1
3	089037008095	T-Nut (Wear Plate).....	2	16	089037008103	Bracket (Drive Rod).....	1
4	089037008099	Screw (M5 x 14 mm).....	4	17	089037008107	C-Ring.....	1
5	089037008097	Pivot Plate (Rear).....	1	18	089037008106	Bushing (Drive Rod).....	1
6	089037008079	Hex Nut (M5).....	4	19	089037008105	Washer (D5 x D12 x 1.5t).....	2
7	089037008088	Undercarriage.....	1	20	089037008091	Elevation Rod.....	1
8	089037008708	Motor Assembly.....	1	21	089037008024	Screw (M4 x 20 mm).....	1
9	089037008090	C-Ring.....	1	22	089037008023	Bevel Gear.....	1
10	089037008089	Bushing (Elevation Rod).....	1	23	089037008092	Washer (D8 x D22 x 2t).....	1
11	089037008098	Pivot Plate (Front).....	1	24	089037008093	Washer (D6.2 x D12 x 2t).....	1
12	089037008104	Screw (M5 x 12 mm, Hex Hd.).....	2	25	089037008033	Hex Nut (M6).....	1
13	089037008100	Bracket - Undercarriage.....	1				

NOTE: The assembly shown represents an important part of the double insulated system. To avoid the possibility of alteration or damage to the system, service should be performed by your nearest Ryobi Authorized Service Center. Contact your nearest Ryobi Authorized Service Center for service.

RYOBI 10 in. PORTABLE TABLE SAW – MODEL NUMBER RTS30

The model number will be found on a label attached to the cabinet. Always mention the model number in all correspondence regarding your **10 in. PORTABLE TABLE SAW** or when ordering parts.

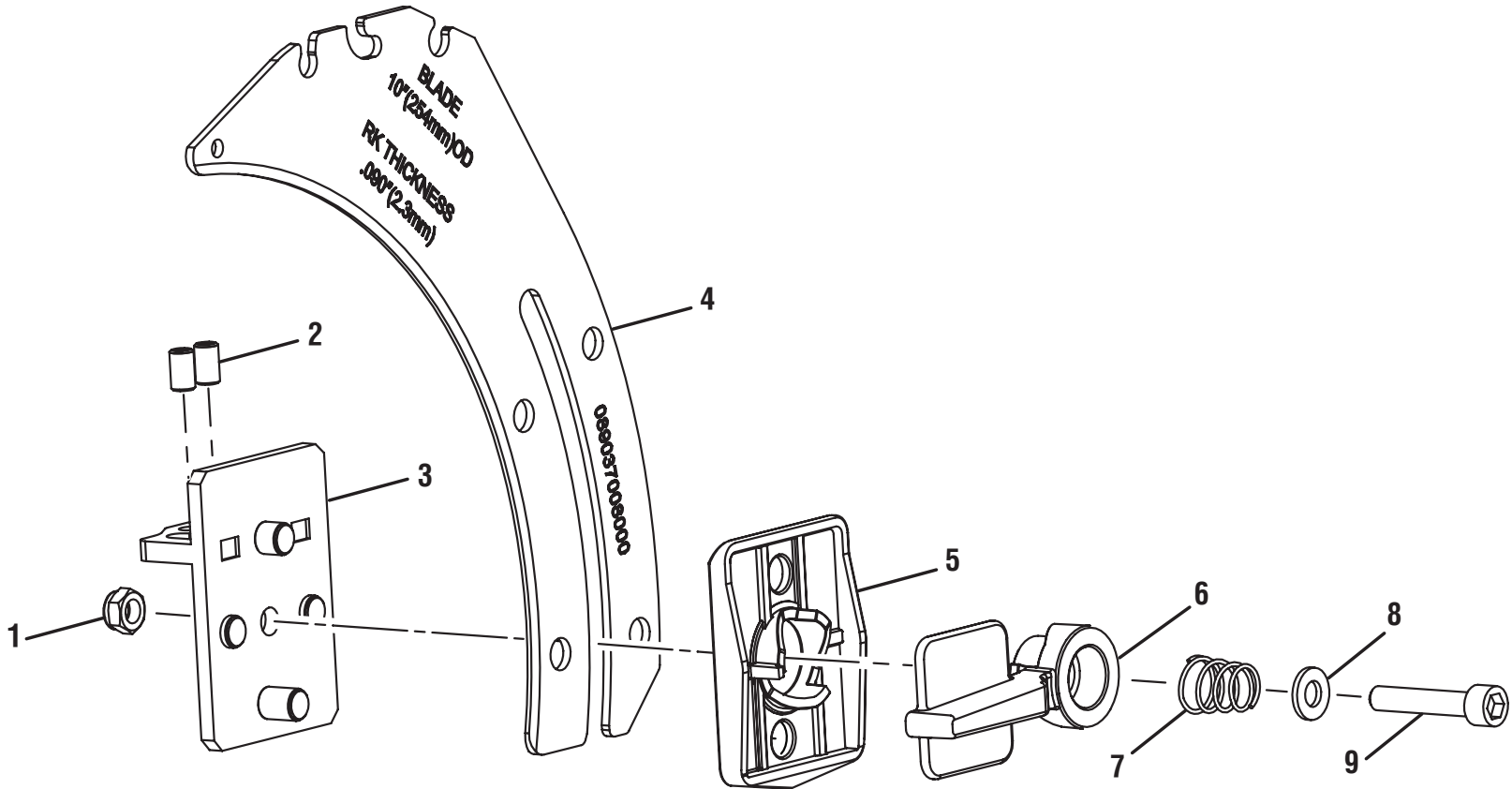
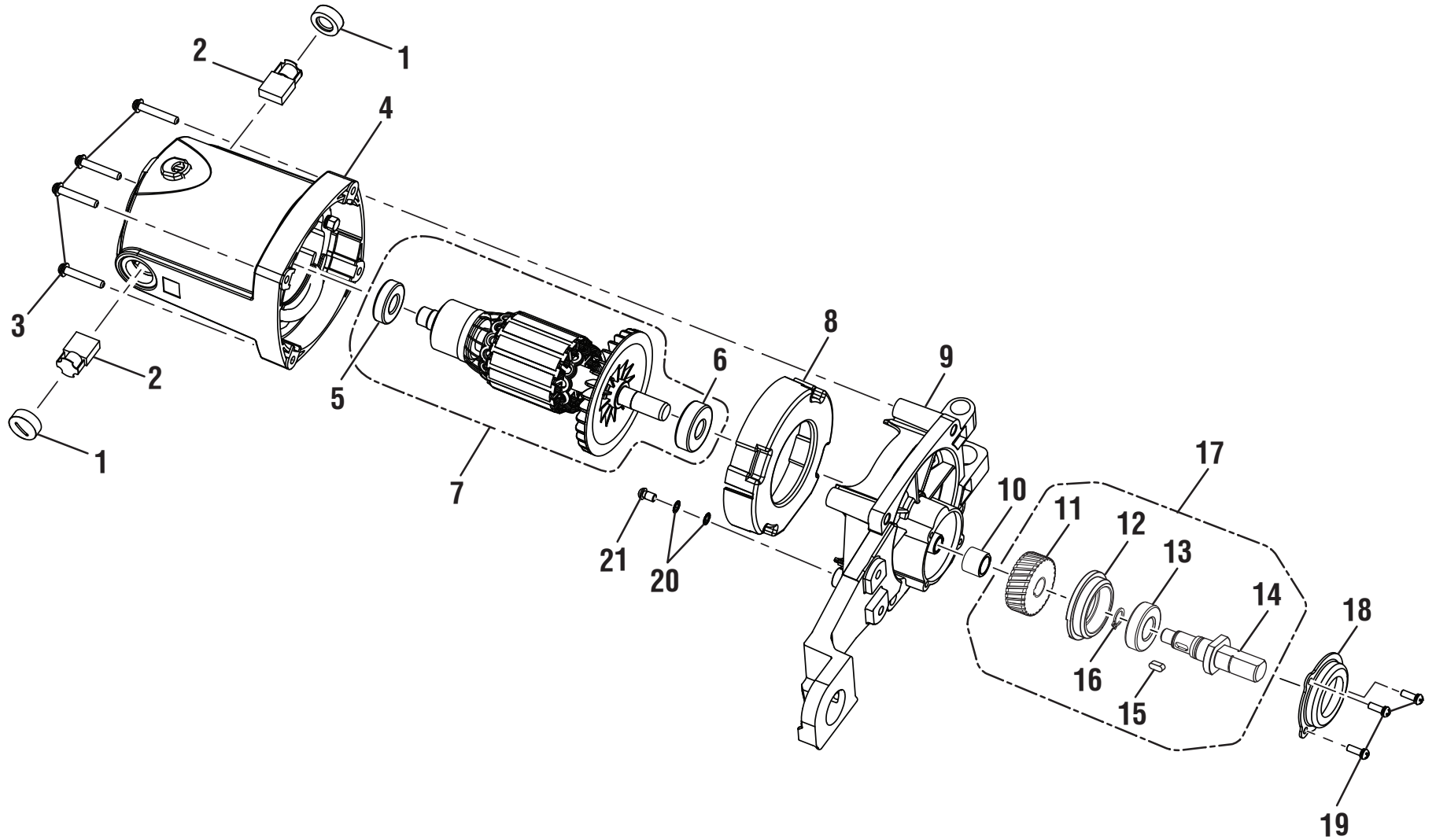


FIGURE F

PARTS LIST FOR FIGURE F

KEY NO.	PART NUMBER	DESCRIPTION	QTY	KEY NO.	PART NUMBER	DESCRIPTION	QTY
1	089037008033	Hex Nut (M6).....	1	6	089037008121	Riving Lock Lever	1
2	089037008124	Set Screw (M6 x 10 mm)	2	7	089037008123	Spring (D10 x D6.5 x 16L).....	1
3	089037008119	Riving Knife Deck.....	1	8	089037008125	Washer (D14 x D6.5 x 2t).....	1
4	089037008000	Spreader/Riving Knife.....	1	9	089037008122	Screw (M6 x 32 mm, Hex Hd.).....	1
5	089037008120	Riving Knife Clamp	1				

RYOBI 10 in. PORTABLE TABLE SAW - MODEL NUMBER RTS30



SECTION "A"

RYOBI 10 in. PORTABLE TABLE SAW – MODEL NUMBER RTS30

The model number will be found on a label attached to the cabinet. Always mention the model number in all correspondence regarding your **10 in. PORTABLE TABLE SAW WITH QUICK STAND™** or when ordering parts.

PARTS LIST FOR SECTION "A"

KEY NO.	PART NUMBER	DESCRIPTION	QTY	KEY NO.	PART NUMBER	DESCRIPTION	QTY
1	089037008116	Brush Cap.....	2	11	089037008174	Reduction Gear.....	1
2	089037008115	Brush	2	12	089037008171	Bearing Cover Plate.....	1
3	089037008114	Screw (M5 x 35 mm).....	4	13	089037008172	Ball Bearing (6002 LLU CM)	1
4	089037008709	Motor Housing w/Field Assembly.....	1	14	089037008170	Arbor	1
5	089037008112	Ball Bearing (6201 ZLU CM)	1	15	089037008173	Key (4 x 4 x 10)	1
6	089037008113	Ball Bearing (6001ZZ)	1	16	089037008107	C-Ring (S-15)	1
7	089037008713	Armature Assembly (Inc. Key Nos. 5 and 6).....	1	17	089037008710	Arbor Assembly (Inc. Key Nos. 11-16).....	1
8	089037008180	Baffle.....	1	18	089037008117	Bearing Cover Plate.....	1
9	089037008714	Gear Housing Assembly (Inc. Key No. 10)	1	19	089037008118	Screw (M4 x 12 mm, Phillips Hd.).....	3
10	089037008111	Needle Bearing	1	20	089037008016	Washer (M5).....	2
				21	089037008109	Screw (M5 x 8 mm. Phillips Hd.).....	1

NOTE: The assembly shown represents an important part of the double insulated system. To avoid the possibility of alteration or damage to the system, service should be performed by your nearest Ryobi Authorized Service Center. Contact your nearest Ryobi Authorized Service Center for service.