

RYOBI 10 in. PORTABLE TABLE SAW WITH QUICK STAND – MODEL NUMBER RTS20

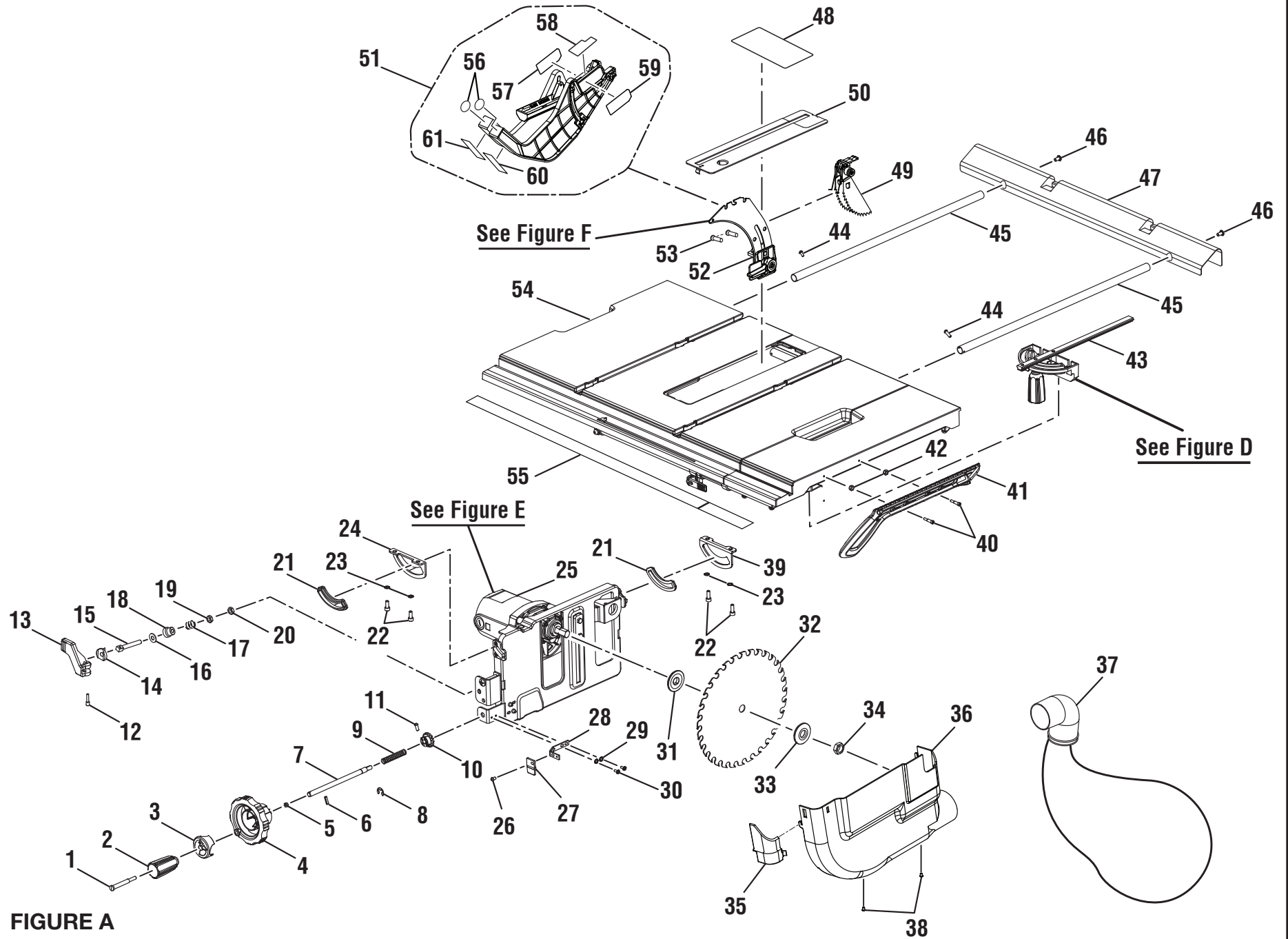


FIGURE A

RYOBI 10 in. PORTABLE TABLE SAW WITH QUICK STAND – MODEL NUMBER RTS20

The model number will be found on a label attached to the cabinet. Always mention the model number in all correspondence regarding your **10 in. PORTABLE TABLE SAW WITH QUICK STAND™** or when ordering parts.

PARTS LIST FOR FIGURE A

KEY NO.	PART NUMBER	DESCRIPTION	QTY	KEY NO.	PART NUMBER	DESCRIPTION	QTY
1	089037008032	Screw (M6 x 65 mm, Special).....	1	34	089037008057	Hex Nut (5/8 in. x 8 mm).....	1
2	089037008031	Handle.....	1	35	089037008178	Dust Chute Cover	1
3	089037008030	End Cap	1	36	089037008058	Dust Chute.....	1
4	089037008029	Height/Bevel Adjusting Handwheel	1	37	089037008069	Dust Bag w/Elbow Assembly	1
5	089037008033	Hex Nut (M6).....	1	38	089037008059	Screw (10-32 x 8 mm, Phillips Hd.)	2
6	089037008027	Pin (D3.6 x 22 mm)	1	39	089037008003	Bevel Trunnion - Rear	1
7	089037008025	Elevation Rod.....	1	40	089037008067	Screw (M3 x 10 mm).....	2
8	089037008026	E-Ring	1	41	089037008066	Push Stick.....	1
9	089037008028	Compression Spring (D11.8 x D9.8 x D1.0 x 65 mm).....	1	42	089037008068	Nut (M3)	2
10	089037008023	Bevel Gear	1	43	089037008706	Miter Gauge Assembly	1
11	089037008024	Screw (M4 x 20 mm, Phillips Hd.).....	1	44	089037008065	Screw (M4 x 10 mm, Phillips Hd.).....	2
12	089037008042	Screw (M4 x 18 mm, Hex Hd.).....	1	45	089037008063	Extension Rod (Ø16 x 1t x 535 mm).....	2
13	089037008041	Bevel Locking Lever	1	46	089037008064	Screw (M6 x 12 mm, Phillips Hd.).....	2
14	089037008040	Pad.....	1	47	089037008062	Outfeed Support	1
15	089037008034	Screw (M8 x 51 mm).....	1	48	089037008908	Warning Label.....	1
16	089037008037	Washer (D18 x D8.5 x 2t)	1	49	089037008705	Anti-Kickback Pawls.....	1
17	089037008208	Spring (D20.3 x D2 x 23 mm).....	1	50	089037008061	Throat Plate Assembly.....	1
18	089037008209	Bevel Bushing (D20 x D8.5 x 16.9 mm)	1	51	089037008704	Blade Guard Assembly	1
19	089037008038	Hex Nut (M8).....	1	52	089037008703	Spreader/Riving Knife Assembly	1
20	089037008039	Hex Nut (M8).....	1	53	089037008060	Screw (M6 x 16 mm, Hex. Hd.).....	2
21	089037008004	Slider - Undercarriage.....	2	54	089037008701	Saw Table Assembly.....	1
22	089037008210	Screw (M6 x 15 mm, Hex Hd.)	4	55	089037008904	Rip Scale.....	1
23	089037008006	Star Washer(M6)	4	56	089110113913	No Hands Warning Label.....	2
24	089037008007	Bevel Trunnion - Front	1	57	089037008907	Outer Guard Installation Label	1
25	089037008702	Motor Assembly.....	1	58	089037007908	Upper Barrier Warning Label	1
26	089037008046	Screw (M4 x 7 mm, Phillips Hd.).....	1	59	089037008905	Inner Guard Installation Label	1
27	089037008045	Indicator	1	60	089037007909	Blade Guard Warning Label - Right.....	1
28	089037008043	Indicator Holder	1	61	089037007910	Blade Guard Warning Label - Left	1
29	089037008018	Star Washer (M4)	2	Not Shown:			
30	089037008044	Screw (M4 x 10 mm, Phillips Hd.).....	2		089037008711	Optional Dado Throat Plate	1
31	089037008055	Inner Blade Washer.....	1		987000837	Operator's Manual (089037008193)	1
32	089037008001	Blade (10 in. x 5/8 in. x 36t)	1		8-8-11		
33	089037008056	Outer Blade Washer.....	1		(Rev:06)		

RYOBI 10 in. PORTABLE TABLE SAW WITH QUICK STAND – MODEL NUMBER RTS20

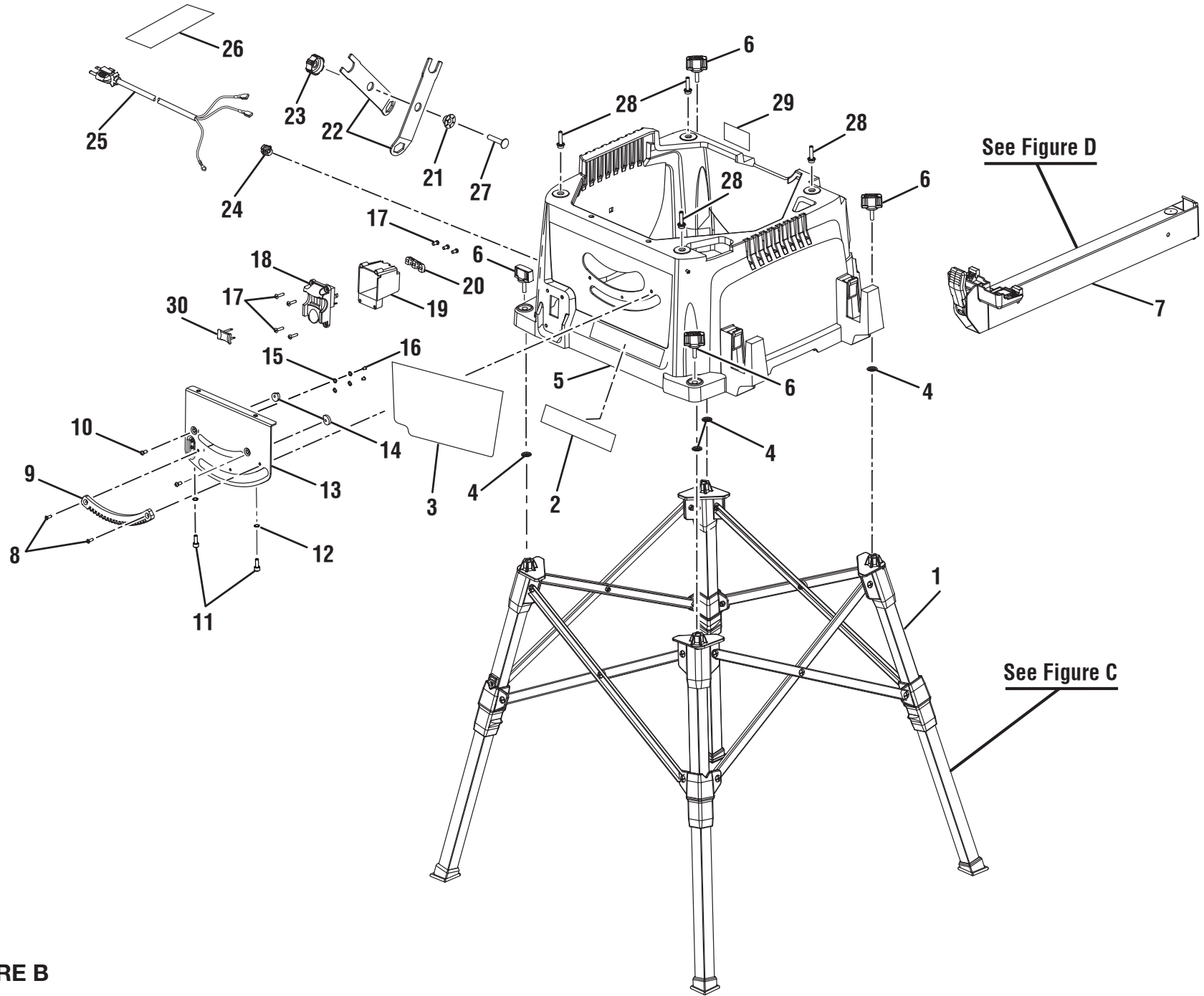


FIGURE B

RYOBI 10 in. PORTABLE TABLE SAW WITH QUICK STAND – MODEL NUMBER RTS20

The model number will be found on a label attached to the cabinet. Always mention the model number in all correspondence regarding your **10 in. PORTABLE TABLE SAW WITH QUICK STAND™** or when ordering parts.

PARTS LIST FOR FIGURE B

KEY NO.	PART NUMBER	DESCRIPTION	QTY	KEY NO.	PART NUMBER	DESCRIPTION	QTY
1	089037008712	Quick Stand™ (Leg Stand).....	1	16	089037008017	Screw (M4 x 5 mm, Pan Hd.).....	2
2	089037008901	Warning Label.....	1	17	089037008053	Screw (M4 x 18 mm, Phillips Hd.).....	7
3	089037008902	Main Label	1	18	089110109712	Switch Assembly (Inc. Key No. 30).....	1
4	089037008010	Nut (M6)	4	19	089037008050	Switch Box.....	1
5	089037008212	Cabinet	1	20	089037008054	Pad	1
6	089037008009	Locking Knob.....	4	21	089037008012	Knob Ring	1
7	089037008707	Rip Fence Assembly	1	22	089037008047	Blade Wrench	2
8	089037008022	Screw (M4 x 15 mm, Phillips Hd.).....	2	23	089037008048	Knob	1
9	089037008021	Gear Rack	1	24	089037008051	Strain Relief.....	1
10	089037008020	Screw (10-32 x 8 mm) w/3 mm Wrench	2	25	089037008052	Power Cord.....	1
11	089037008015	Screw (M5 x 16 mm, Hex Hd.).....	2	26	089037007902	Warning Label.....	1
12	089037008016	Star Washer (M5)	2	27	089037008011	Carriage Bolt (M8 x 40 mm).....	1
13	089037008014	Reinforcement Plate	1	28	089037008213	Screw (M6 x 30 mm, Hex Hd.).....	4
14	089037008019	Cam (4 mm)	2	29	089037008903	Data Label.....	1
15	089037008018	Star Washer (M4)	4	30	984406003	Switch Key.....	1

RYOBI 10 in. PORTABLE TABLE SAW WITH QUICK STAND – MODEL NUMBER RTS20

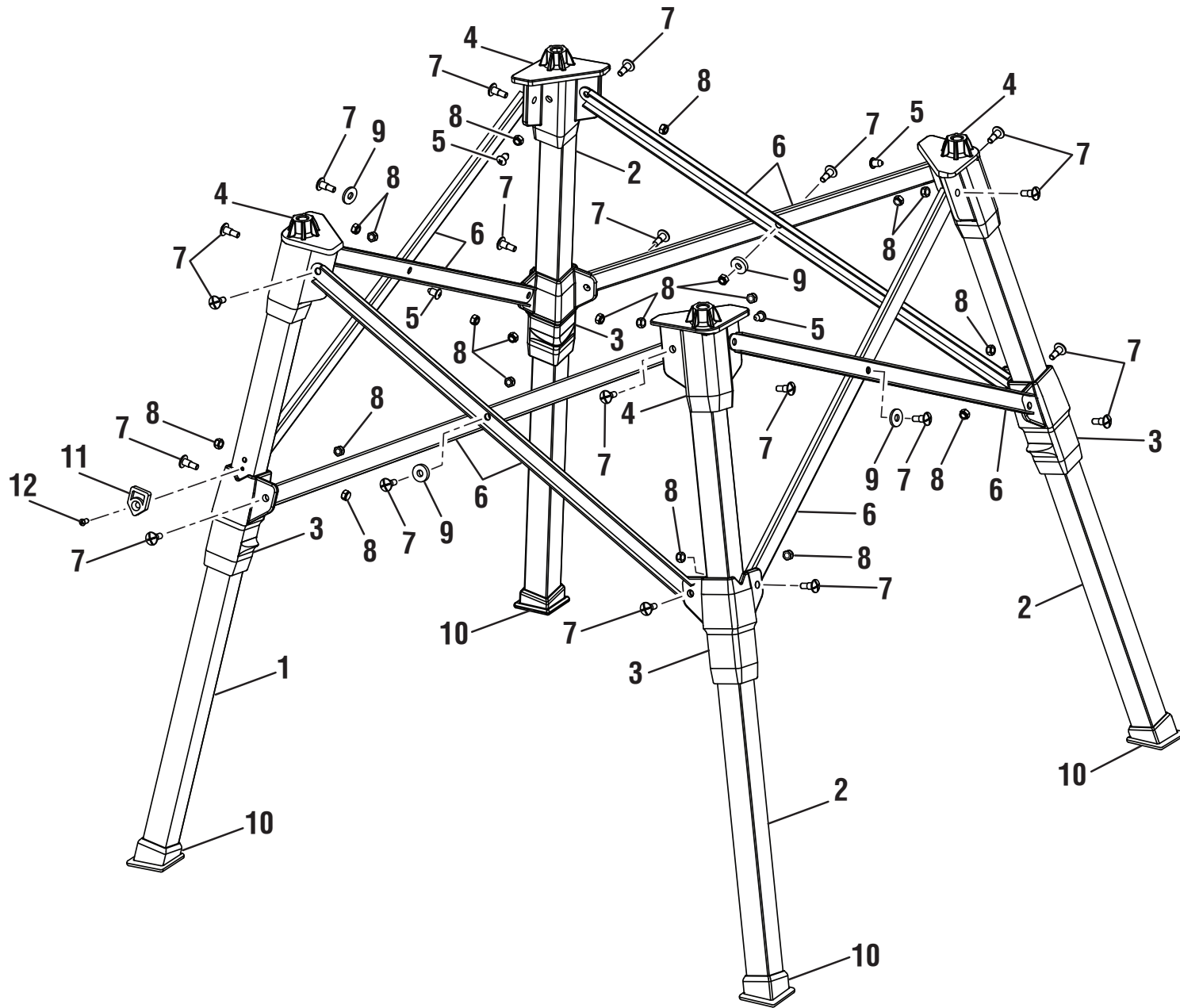


FIGURE C

RYOBI 10 in. PORTABLE TABLE SAW WITH QUICK STAND – MODEL NUMBER RTS20

The model number will be found on a label attached to the cabinet. Always mention the model number in all correspondence regarding your **10 in. PORTABLE TABLE SAW WITH QUICK STAND™** or when ordering parts.

PARTS LIST FOR FIGURE C

KEY NO.	PART NUMBER	DESCRIPTION	QTY	KEY NO.	PART NUMBER	DESCRIPTION	QTY
1	089037008181	Leg "A".....	1	7	089037008187	Screw (M5 x 15 mm, Phillips Hd.).....	20
2	089037008182	Leg "B".....	3	8	089037008188	Lock Nut (M5)	20
3	089037008183	Leg Adaptor	4	9	089037008189	Spacer	4
4	089037008184	Connector Bracket.....	4	10	089037008190	Foot.....	4
5	089037008185	Screw (M5 x 10 mm, Phillips Hd.).....	4	11	089037008191	Red Indicator	1
6	089037008186	Linkage	8	12	089037008192	Screw (M4 x 8 mm, Phillips Hd.).....	1

RYOBI 10 in. PORTABLE TABLE SAW WITH QUICK STAND – MODEL NUMBER RTS20

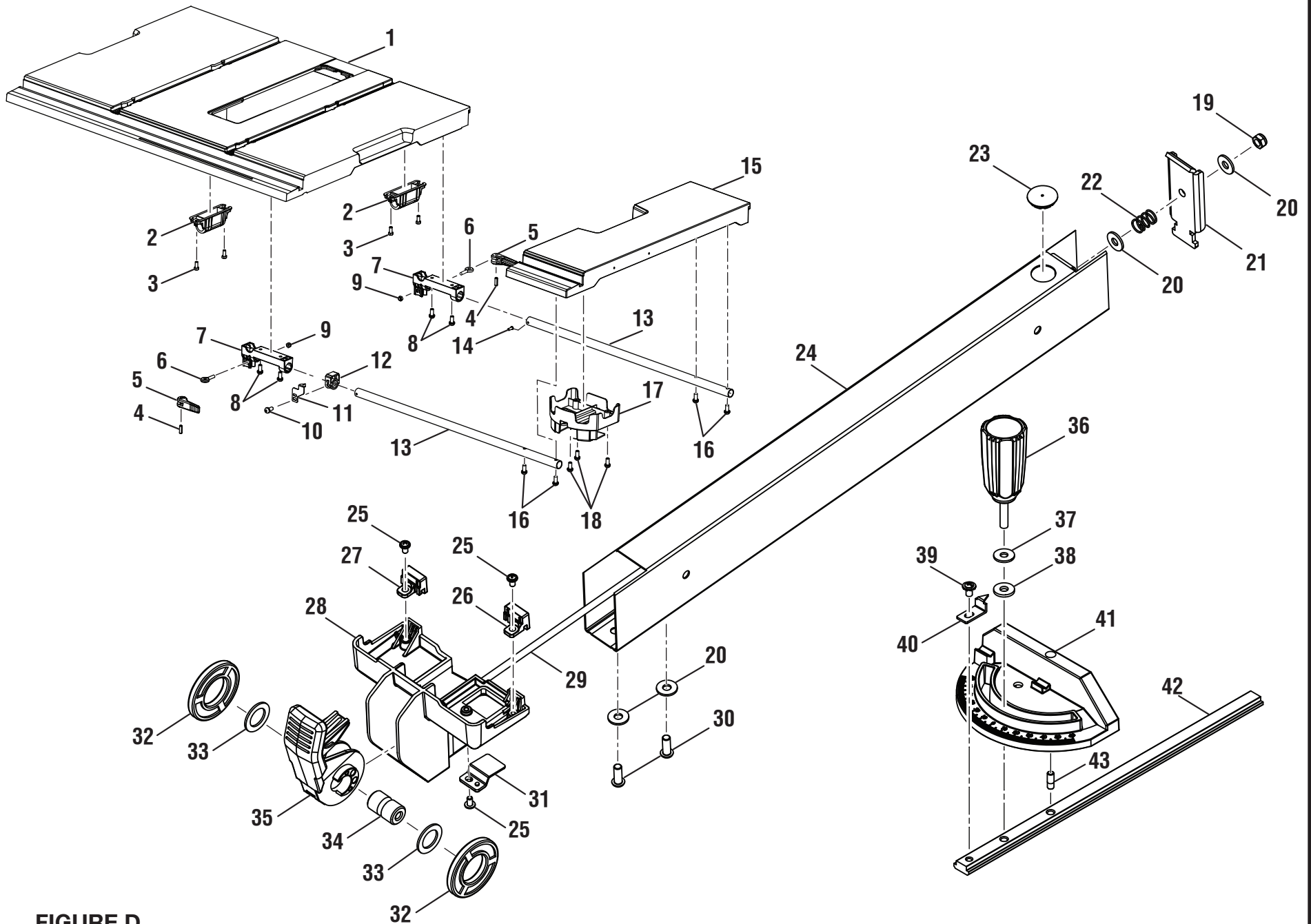


FIGURE D

RYOBI 10 in. PORTABLE TABLE SAW WITH QUICK STAND – MODEL NUMBER RTS20

The model number will be found on a label attached to the cabinet. Always mention the model number in all correspondence regarding your **10 in. PORTABLE TABLE SAW WITH QUICK STAND™** or when ordering parts.

PARTS LIST FOR FIGURE D

KEY NO.	PART NUMBER	DESCRIPTION	QTY	KEY NO.	PART NUMBER	DESCRIPTION	QTY
1	089037008072	Saw Table	1	23	089037008169	End Cap	1
2	089037008073	Outfeed Bracket.....	2	24	089037008163	Rip Fence.....	1
3	089037008179	Screw (M5 x 12 mm, Hex Hd.).....	4	25	089037008157	Screw (M4 x 8 mm).....	3
4	089037008078	Pin (D5 x 16 mm	2	26	089037008156	Rip Fence Slider - Left	1
5	089037008076	Table Locking Lever.....	2	27	089037008155	Rip Fence Slider - Right.....	1
6	089037008077	Bolt	2	28	089037008154	Rip Fence Block.....	1
7	089037008075	Extension Rod Bracket	2	29	089037008162	Rod (D5.2 x 580 mm).....	1
8	089037008074	Screw (M5 x 10 mm, Phillips Hd.).....	4	30	089037008164	Screw (M6 x 16 mm w/ 5mm Wrench).....	2
9	089037008079	Hex Nut (M5).....	2	31	089037008168	Indicator	1
10	089037008085	Screw (M4 x 25 mm, Phillips Hd.).....	1	32	089037008161	Ring Pad	2
11	089037008084	Indicator.....	1	33	089037008160	Washer (D25 x D16 x 1.5t)	2
12	089037008083	End Plug	1	34	089037008159	Bushing.....	1
13	089037008080	Extention Rod (D16 x 1.2t x 514.2 mm).....	2	35	089037008158	Locking Lever	1
14	089037008065	Screw (M4 x 10 mm, Phillips Hd.).....	1	36	089037008148	Miter Lock Knob	1
15	089037008082	Table Extension.....	1	37	089037008153	Washer (D1/4 in. x D16 x 1.5t).....	1
16	089037008081	Screw (M5 x 25 mm).....	4	48	089037008149	Washer (D16 x D6.5 x 1.8t)	1
17	089037008086	Miter Gauge Storage Holder.....	1	39	089037008151	Screw (M4 x 8 mm).....	1
18	089037008087	Screw (M4 x 12 mm).....	3	40	089037008150	Miter Gauge Indicator	1
19	089037008033	Hex Nut (M6).....	1	41	089037008146	Miter Gauge	1
20	089037008165	Washer (D1/4 in. x D16 x 1.5t)	4	42	089037008152	Miter Gauge Rod	1
21	089037008166	Rear Clamping Plate.....	1	43	089037008147	Miter Gauge Pin (D5 x 10 mm).....	1
22	089037008167	Spring (D10.4 x D8 x D1.2 x 32mm)	1				

RYOBI 10 in. PORTABLE TABLE SAW WITH QUICK STAND – MODEL NUMBER RTS20

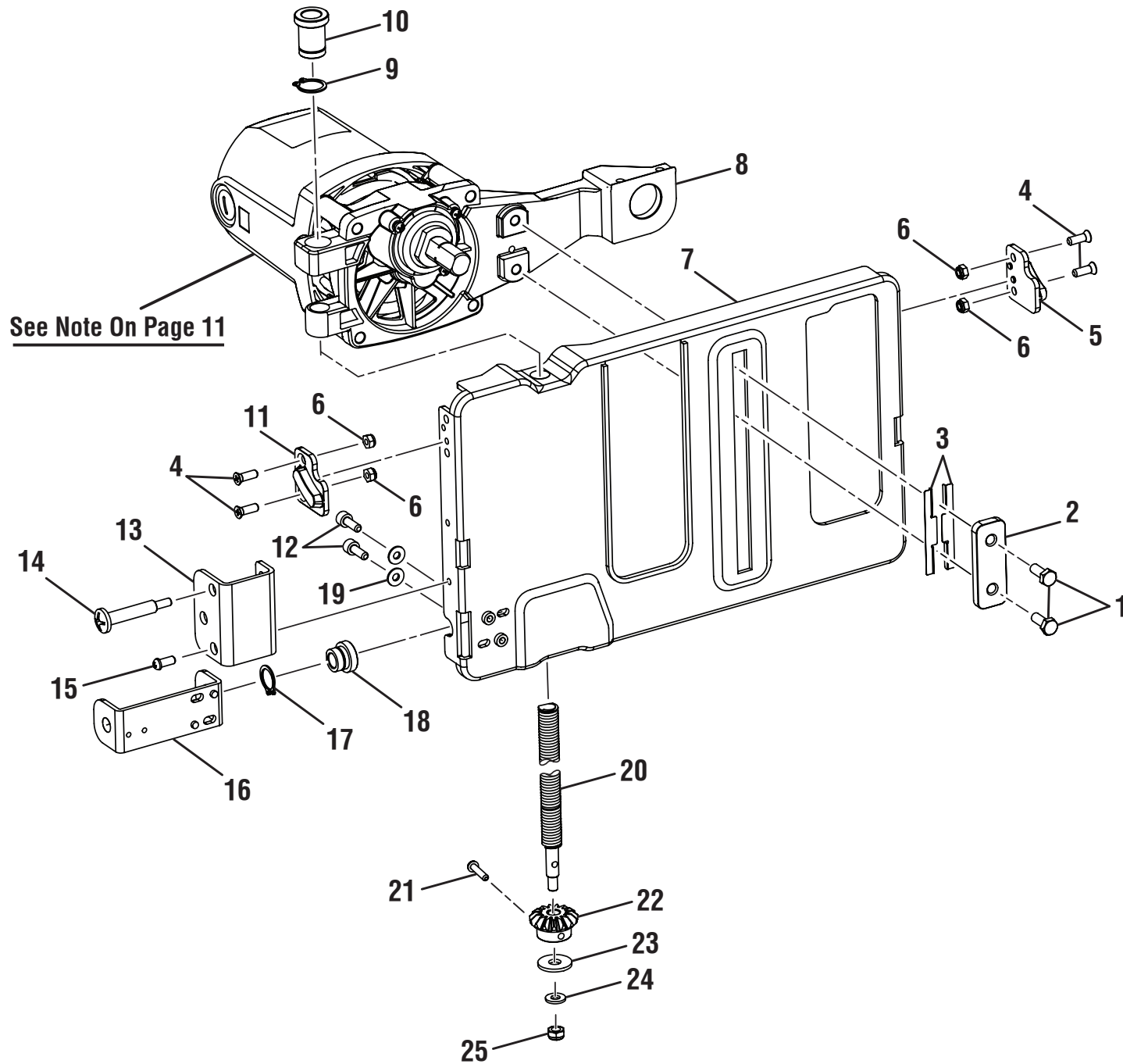


FIGURE E

RYOBI 10 in. PORTABLE TABLE SAW WITH QUICK STAND – MODEL NUMBER RTS20

The model number will be found on a label attached to the cabinet. Always mention the model number in all correspondence regarding your **10 in. PORTABLE TABLE SAW WITH QUICK STAND™** or when ordering parts.

PARTS LIST FOR FIGURE E

KEY NO.	PART NUMBER	DESCRIPTION	QTY	KEY NO.	PART NUMBER	DESCRIPTION	QTY
1	089037008207	Screw (M6 x 20 mm, Hex Hd.).....	2	14	089037008101	Screw (M5 x 12 mm).....	1
2	089037008094	T-Nut (Undercarriage).....	1	15	089037008102	Screw (M5 x 12 mm).....	1
3	089037008095	T-Nut (Wear Plate).....	2	16	089037008103	Bracket	1
4	089037008099	Screw (M5 x 14 mm).....	4	17	089037008107	C-Ring.....	1
5	089037008097	Pivot Plate-Rear.....	1	18	089037008106	Bushing.....	1
6	089037008079	Hex Nut (M5).....	4	19	089037008105	Washer (D5 x D12 x 1.5t).....	2
7	089037008088	Undercarriage	1	20	089037008091	Elevation Rod.....	1
8	089037008708	Motor Assembly.....	1	21	089037008024	Screw (M4 x 20 mm, Phillips Hd.).....	1
9	089037008090	C-Ring (S17)	1	22	089037008023	Bevel Gear	1
10	089037008089	Elevation Rod Bushing	1	23	089037008092	Washer (D8 x D22 x 2t)	1
11	089037008098	Pivot Plate-Front.....	1	24	089037008093	Washer (D6.2 x D12 x 2t).....	1
12	089037008104	Screw (M5 x 12 mm, Hex Hd.).....	2	25	089037008033	Hex Nut (M6).....	1
13	089037008100	Bracket - Undercarriage	1				

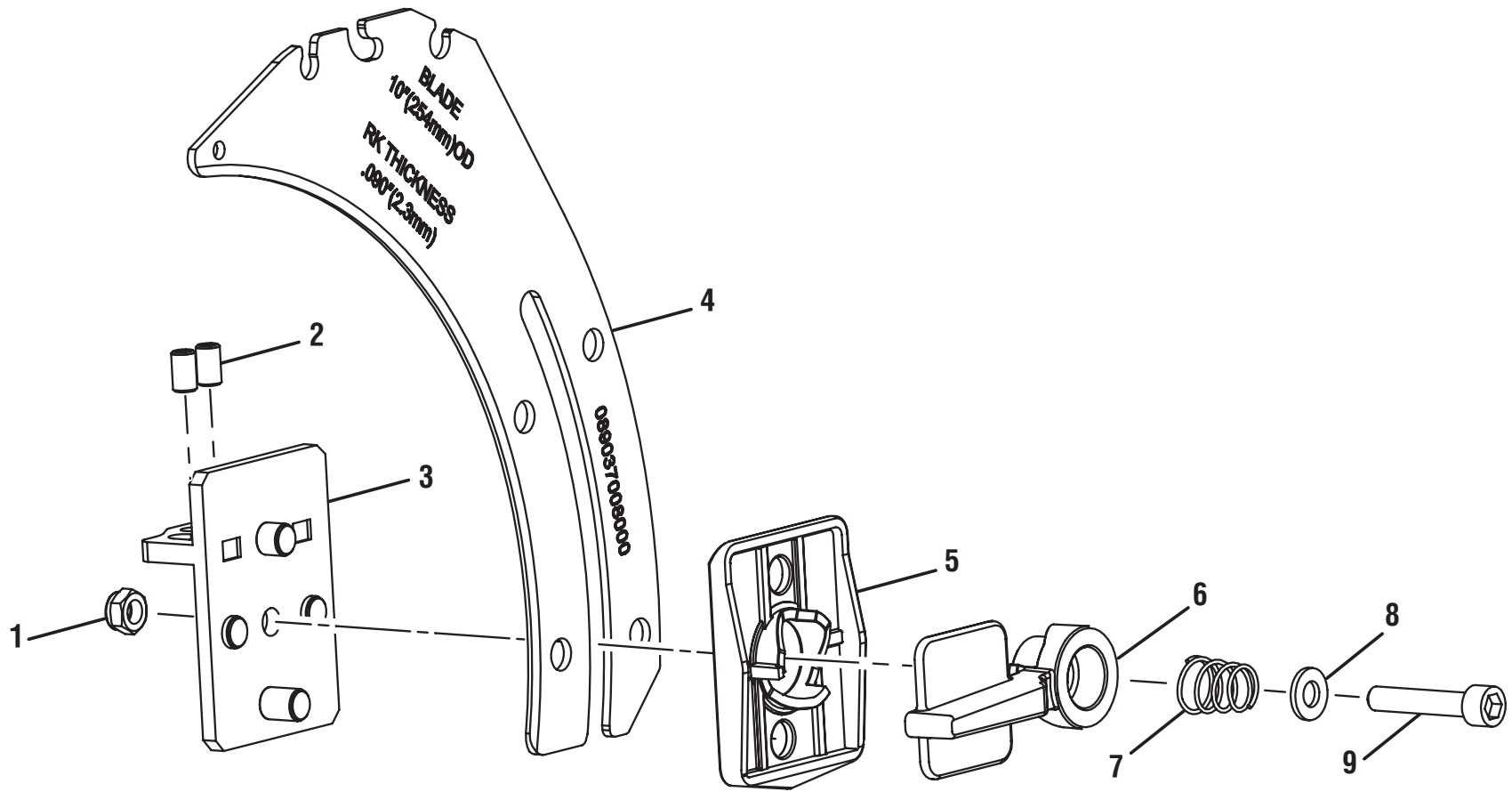


FIGURE F

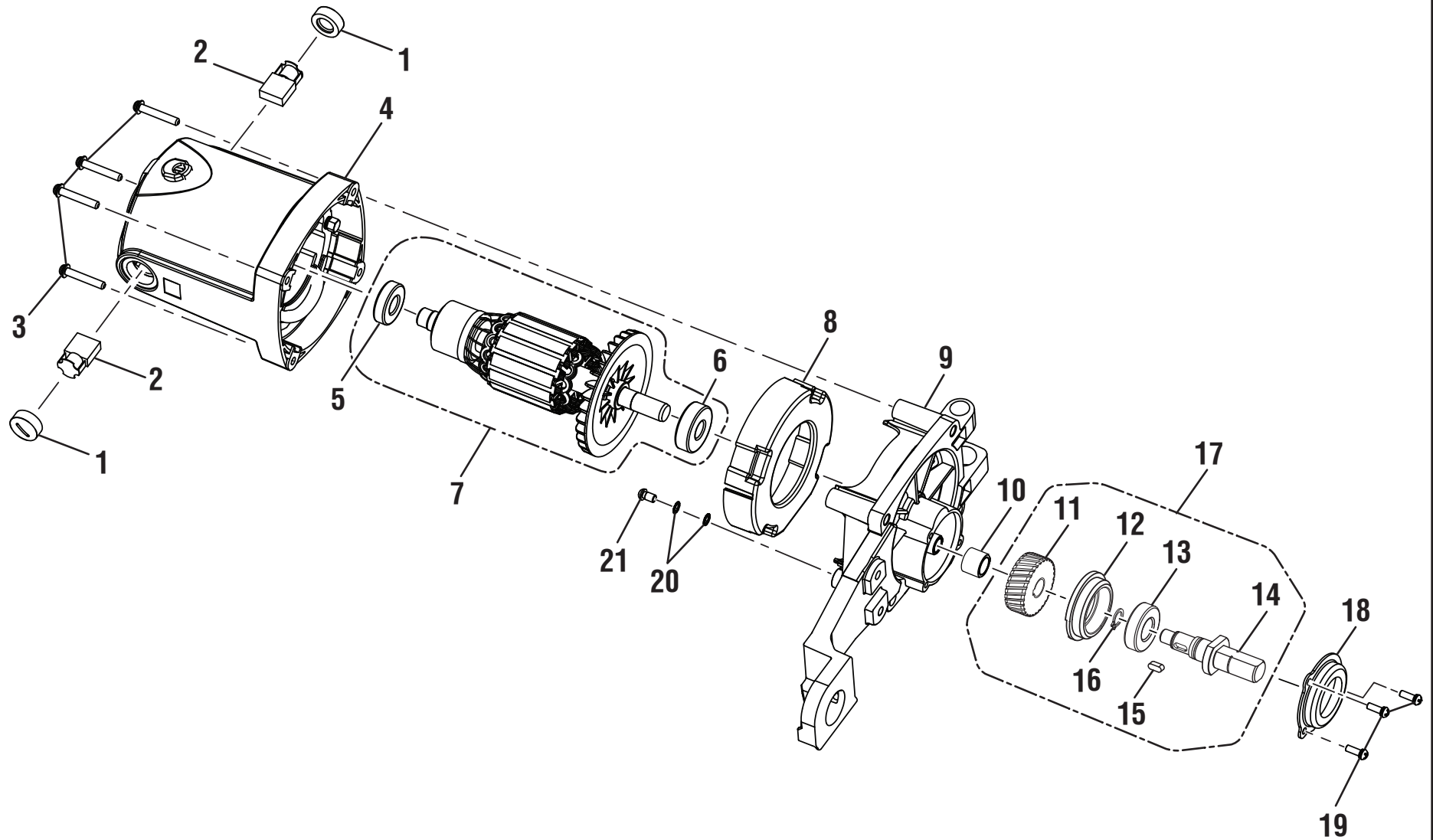
RYOBI 10 in. PORTABLE TABLE SAW WITH QUICK STAND – MODEL NUMBER RTS20

The model number will be found on a label attached to the cabinet. Always mention the model number in all correspondence regarding your **10 in. PORTABLE TABLE SAW WITH QUICK STAND™** or when ordering parts.

PARTS LIST FOR FIGURE F

KEY NO.	PART NUMBER	DESCRIPTION	QTY	KEY NO.	PART NUMBER	DESCRIPTION	QTY
1	089037008033	Nut (M6)	1	6	089037008121	Release Lever	1
2	089037008124	Screw (M6 x 10 mm).....	2	7	089037008123	Spring (D10 x D6.5 x 16L).....	1
3	089037008119	Deck.....	1	8	089037008125	Washer (D14 x D6.5 x 2t)	1
4	089037008000	Spreader/Riving Knife.....	1	9	089037008122	Screw (M6 x 32 mm).....	1
5	089037008120	Clamp	1				

RYOBI 10 in. PORTABLE TABLE SAW WITH QUICK STAND – MODEL NUMBER RTS20



SECTION "A"

RYOBI 10 in. PORTABLE TABLE SAW WITH QUICK STAND – MODEL NUMBER RTS20

The model number will be found on a label attached to the cabinet. Always mention the model number in all correspondence regarding your **10 in. PORTABLE TABLE SAW WITH QUICK STAND™** or when ordering parts.

PARTS LIST FOR SECTION "A"

KEY NO.	PART NUMBER	DESCRIPTION	QTY	KEY NO.	PART NUMBER	DESCRIPTION	QTY
1	089037008116	Brush Cap.....	2	11	089037008174	Reduction Gear (29 T).....	1
2	089037008115	Brush	2	12	089037008171	Bearing Cover Plate.....	1
3	089037008114	Screw (M5 x 35 mm, Phillips Hd.).....	4	13	089037008172	Ball Bearing (6002 LLU CM)	1
4	089037008709	Motor Housing w/Field Assembly.....	1	14	089037008170	Arbor Shaft.....	1
5	089037008112	Ball Bearing (6201 ZLU CM)	1	15	089037008173	Key (4 x 4 x 10)	1
6	089037008113	Ball Bearing (6001ZZ)	1	16	089037008107	C-Ring (S-15)	1
7	089037008713	Armature Assembly (Inc. Key Nos. 5 and 6).....	1	17	089037008710	Arbor Assembly (Inc. Key Nos. 11-16).....	1
8	089037008180	Baffle.....	1	18	089037008117	Bearing Cover Plate.....	1
9	089037008714	Gear Housing Assembly (Inc. Key No. 29).....	1	19	089037008118	Screw (M4 x 12 mm).....	3
10	089037008111	Needle Bearing	1	20	089037008016	Star Washer (M5)	2
				21	089037008109	Screw (M5 x 8 mm).....	1

NOTE: The assembly shown represents an important part of the double insulated system. To avoid the possibility of alteration or damage to the system, service should be performed by your nearest Ryobi Authorized Service Center. Contact your nearest Ryobi Authorized Service Center for service.