

RYOBI
10 in. TABLE SAW
MODEL NUMBER RTS10NS
REPAIR SHEET

ONE WORLD TECHNOLOGIES, INC.
P.O. Box 1288, Anderson, SC 29622 • Phone 1-800-525-2579
www.ryobitools.com

RYOBI 10 in. TABLE SAW – MODEL NUMBER RTS10NS

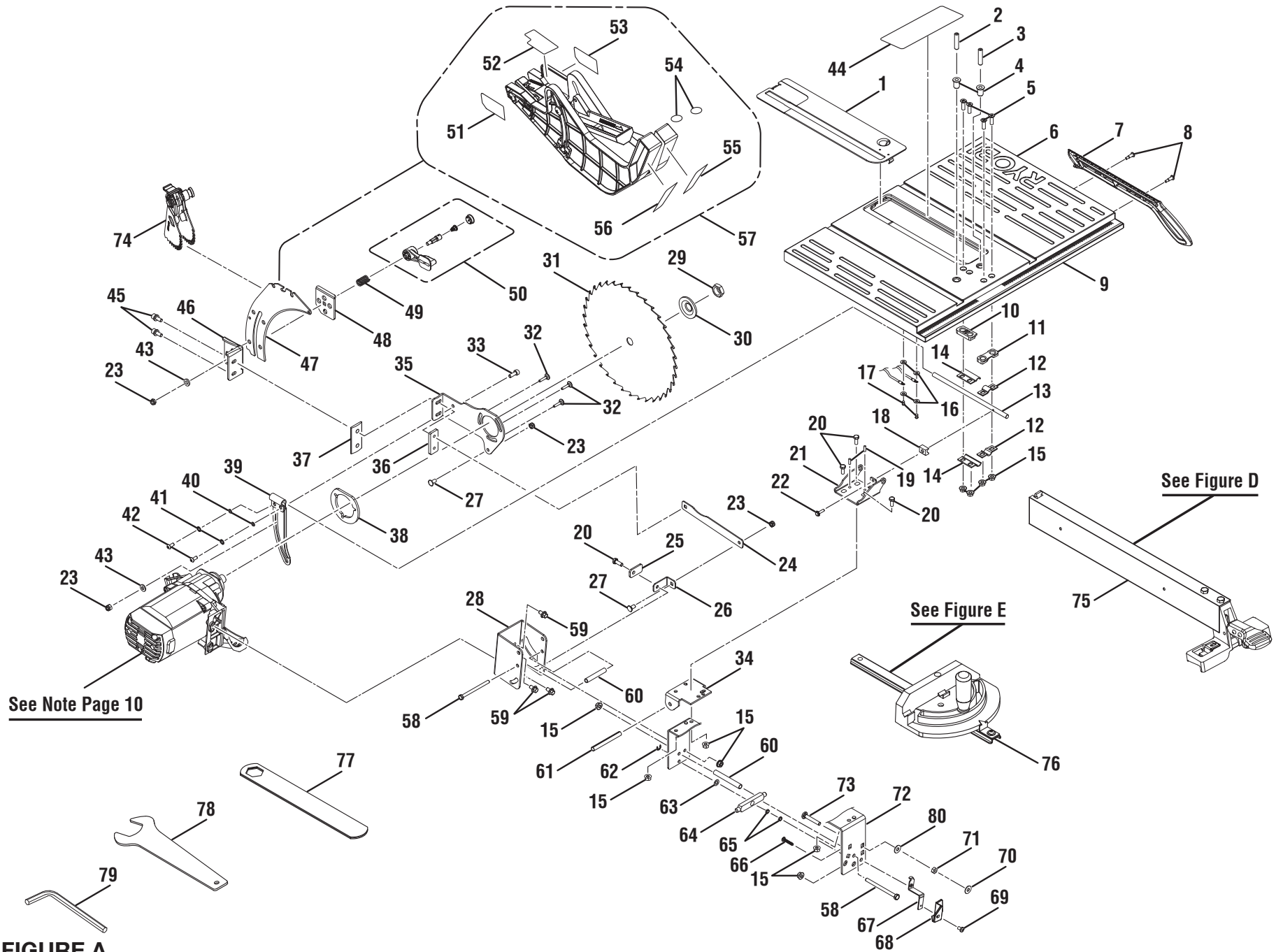


FIGURE A

RYOBI 10 in. TABLE SAW – MODEL NUMBER RTS10NS

The model number will be found on a label attached to the cabinet. Always mention the model number in all correspondence regarding your **10 in. TABLE SAW** or when ordering parts.

PARTS LIST FOR FIGURE A

KEY NO.	PART NUMBER	DESCRIPTION	QTY	KEY NO.	PART NUMBER	DESCRIPTION	QTY
1	089040002704	Throat Plate Assembly.....	1	29	080015001410	Blade Nut (5/8-18)	1
2	089015001001	Screw (M8 x 30 mm).....	1	30	089110102100	Blade Washer	1
3	089015001013	Screw (M8 x 35 mm).....	1	31	089240014001	Saw Blade (10 in., 5/8 in. x 24 Tooth)	1
4	089037007004	Nut (M8)	2	32	089037007017	Screw (M4 x 0.7 mm).....	3
5	080015001407	Screw (1/4-20 x 7/8 in, Flat Hd.).....	4	33	089037007018	Screw (M6 x 15 mm).....	1
6	089037007106	Table	1	34	080015001439	Middle Bracket.....	1
7	089037007006	Push Stick.....	1	35	089037007019	Lever	1
8	089037007007	Screw (M4, Pan Hd.).....	2	36	089037007020	Clamp Lock.....	1
9	089040002901	Scale Label	1	37	089037007021	Clamp	1
10	089037007008	Rod Bracket.....	1	38	089037007097	Pad.....	1
11	089015001003	Rod Clamp Base.....	1	39	089037007098	Plate Support.....	1
12	080015001440	Strap (Long)	2	40	089037007099	Washer (OD12 x ID5 x 1.5t)	2
13	089037007009	Rod	1	41	089037007100	Washer (D5)	2
14	089037007010	Short Rod Clamp Base.....	2	42	089037007101	Screw (M5 x 10 mm, Hex Hd.).....	2
15	080015001603	Nut (1/4-20, Cheese Hd.).....	10	43	089110101033	Washer (OD16 x ID1/4 x 1t)	2
16	080015001496	Washer (M4).....	4	44	089037007907	Warning Label.....	1
17	080015001495	Screw (M4 x 8 mm, Pan Hd.).....	2	45	089037007022	Screw (M6 x 20 mm, Hex Hd.).....	2
18	080015001443	Block	1	46	089037007023	Riving Knife Base.....	1
19	080015001445	Spring Pin (D4 x 13 mm).....	2	47	089037007702	Spreader/Riving Knife.....	1
20	080015001446	Screw (1/4-20 x 3/4 in, Cheese Hd.).....	4	48	089037007024	Clamp Bracket.....	1
21	N/A	Upper Pivot Bracket	1	49	089037007096	Spreader/Riving Knife Spring	1
22	089037007011	Screw (M5 x 20 mm, Hex Hd.).....	1	50	089037007709	Riving Knife Handle Assembly.....	1
23	089110101101	Lock Nut (M6)	4	51	089037007912	Billboard Text Label	1
24	089037007012	Pull Rod	1	52	089037007908	Warning Label (Upper Barrier)	1
25	089037007013	Support Board	1	53	089037007911	Billboard Graphic Label	1
26	089037007014	Mounting Bracket	1	54	089110113913	No Hands Warning Label.....	2
27	089037007015	Bolt	2	55	089037007909	Blade Guard Warning Label - Right.....	1
28	089037007016	Motor Bracket.....	1	56	089037007910	Blade Guard Warning Label - Left	1

RYOBI 10 in. TABLE SAW – MODEL NUMBER RTS10NS

The model number will be found on a label attached to the cabinet. Always mention the model number in all correspondence regarding your **10 in. TABLE SAW** or when ordering parts.

PARTS LIST FOR FIGURE A

KEY NO.	PART NUMBER	DESCRIPTION	QTY	KEY NO.	PART NUMBER	DESCRIPTION	QTY
57	089037007700	Blade Guard Assembly (Inc. Key Nos. 51-56)	1	70	089037007102	Washer (D6.5 x D20 x 1.6t)	2
58	080015001437	Screw (1/4-20 x 3-1/4 in, Hex Hd.)	2	71	080015001455	Hex Nut (1/4-20)	1
59	080015001436	Screw (M6 x 18 mm, Cheese Hd.)	3	72	089037007036	Work Plate.....	1
60	080015001449	Spacer (D9.5 x 68 mm)	2	73	089037007035	Bolt (1/4-20 x 40 mm)	1
61	080015001458	Pin (D8 x 90 mm)	1	74	089037007701	Anti-Kickback Pawl Assembly	1
62	089037007029	C-Ring.....	1	75	089040002702	Rip Fence Assembly	1
63	089240014002	Washer (OD12 x ID6.5 x 0.5t)	1	76	089040002703	Miter Gauge Assembly	1
64	089037007033	Block	1	77	080015001505	Wrench (Closed End)	1
65	089037007034	Hex Nut (3/8-16)	2	78	080015001506	Wrench (Open End).....	1
66	089037007031	Screw (M8 x 9.5 mm, Hex Hd.).....	1	79	089110102005	Hex Key (M5 x 75 mm)	1
67	089037007030	Indicator Bracket	1	80	080015001560	Washer (OD16 x ID6.5 x 2t)	1
68	089037007032	Indicator.....	1	Not Shown:			
69	089110101066	Screw w/Washer (M4 x 12 mm, Pan Hd.)	1	995000180 Operator's Manual (089037011908)			
				2-15-19			
				(Rev:03)			

RYOBI 10 in. TABLE SAW – MODEL NUMBER RTS10NS

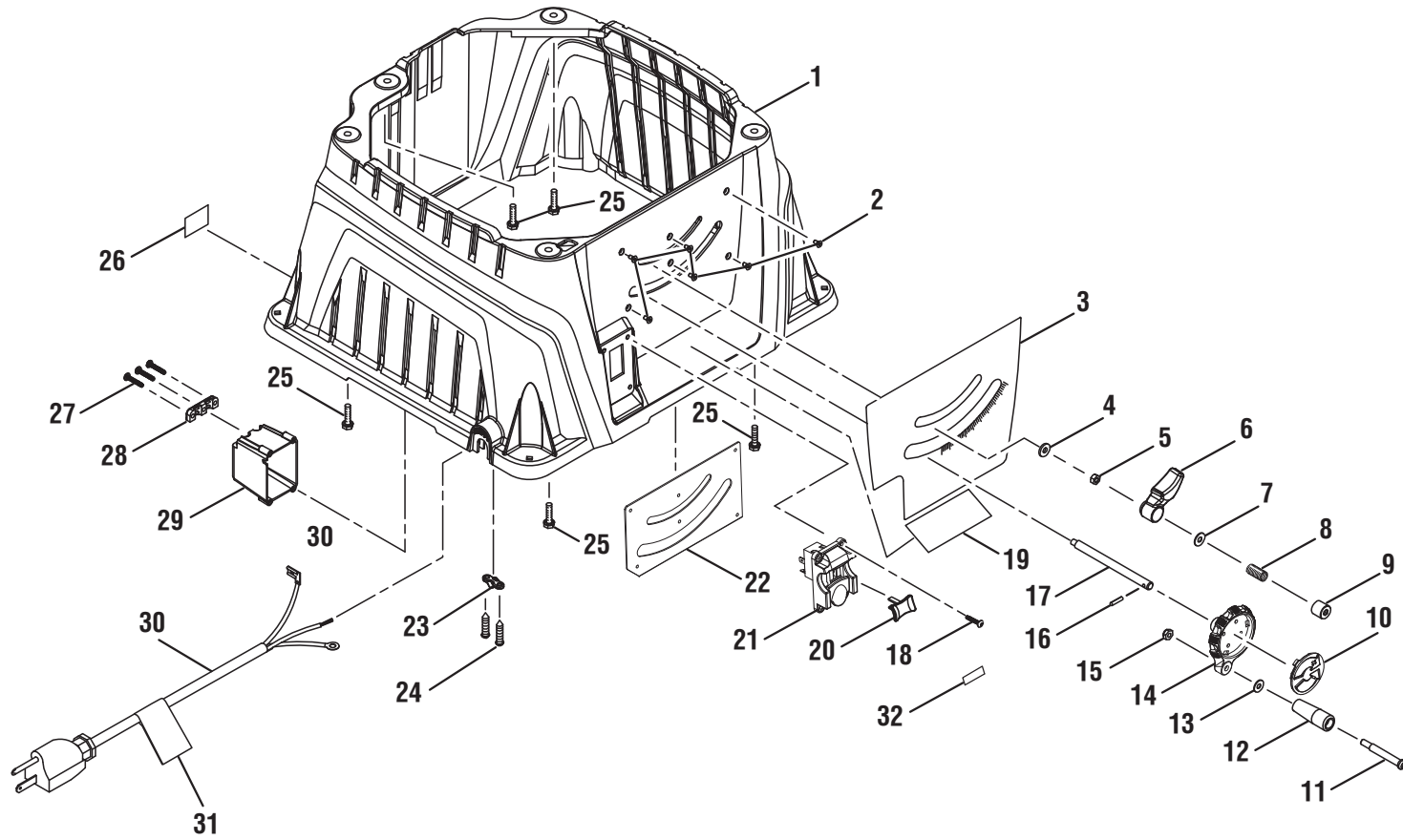


FIGURE B

RYOBI 10 in. TABLE SAW – MODEL NUMBER RTS10NS

The model number will be found on a label attached to the cabinet. Always mention the model number in all correspondence regarding your **10 in. TABLE SAW** or when ordering parts.

PARTS LIST FOR FIGURE B

KEY NO.	PART NUMBER	DESCRIPTION	QTY	KEY NO.	PART NUMBER	DESCRIPTION	QTY
1	089040002002	Cabinet.....	1	17	089037007042	Elevating Shaft (3/8-16 x 137 mm).....	1
2	080015001473	Screw (M4 x 7 mm, Flat Hd.).....	6	18	089110101078	Screw (M4 x 18 mm)	4
3	089040002902	Front Panel Label	1	19	089037007901	Warning Label	1
4	080015001475	Washer (OD16 x ID6.5 x 2t).....	1	20	984406003	Switch Key	1
5	080015001455	Hex Nut (1/4-20).....	1	21	089110109712	Switch Assembly (Inc. Key No. 20)	1
6	089037007107	Lock Lever.....	1	22	089037007044	Plate	1
7	089240014003	Washer (OD16 x ID1/4 x 1t).....	1	23	080015001494	Cord Clamp.....	1
8	080015001634	Spring.....	1	24	080015001493	Screw (M4 x 16 mm, Pan Hd.)	2
9	089240014004	Lock Button.....	1	25	080015001486	Screw (M6 x 25 mm, Cheese Hd.)	5
10	089037007109	Hand Wheel Cap	1	26	089240014901	Data Label	1
11	080900068485	Screw (Special, Handwheel)	1	27	089110101067	Screw (M8 x 19 mm, Pan Hd.)	3
12	080015001480	Handle Knob	1	28	089110101069	Cord Clamp.....	1
13	080015001479	Washer (OD13 x ID1/4 x 1.5t).....	1	29	089037007046	Switch Box	1
14	089037007041	Hand Wheel.....	1	30	089040002010	Power Cord	1
15	089110102180	Lock Washer (ID1/4-20)	1	31	089037007902	Warning Label	1
16	089037007103	Spring Pin (OD4 x 16 mm).....	1	32	089037011910	Switch Key Warning Label	1

RYOBI 10 in. TABLE SAW – MODEL NUMBER RTS10NS

The model number will be found on a label attached to the cabinet. Always mention the model number in all correspondence regarding your **10 in. TABLE SAW** or when ordering parts.

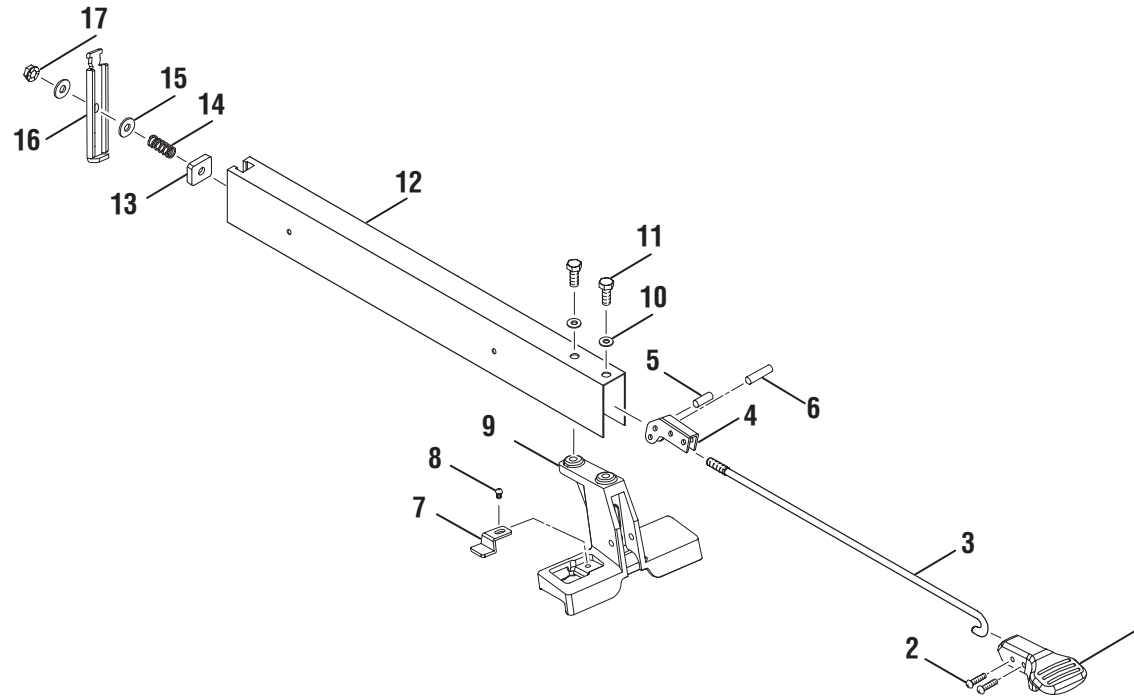


FIGURE D

PARTS LIST FOR FIGURE D

KEY NO.	PART NUMBER	DESCRIPTION	QTY	KEY NO.	PART NUMBER	DESCRIPTION	QTY
1	089040002003	Locking Lever	1	10	080015001531	Lock Washer (1/4-20).....	2
2	089037007081	Screw (M8 x 5/8 in.).....	2	11	080015001535	Screw (1/4-20 x 1/2 in, Hex Hd.)	2
3	089037007082	Lock Rod	1	12	089037007111	Fence	1
4	089037007083	Handle Bar	1	13	080015001544	Block.....	1
5	080015001549	Spring Pin (D4 x 10.5 mm).....	1	14	080015001543	Spring	1
6	089110102187	Spring Pin (D4 x 20 mm).....	1	15	080015001530	Washer (D6.5 x D16 x 1.5t).....	2
7	080015001554	Pointer	1	16	089037007085	Rear Clamp.....	1
8	089015001011	Screw (5/32-32 x 1/4 in.)	1	17	089110102180	Lock Nut (1/4-20).....	1
9	089040002004	Front Block	1				

RYOBI 10 in. TABLE SAW – MODEL NUMBER RTS10NS

The model number will be found on a label attached to the cabinet. Always mention the model number in all correspondence regarding your **10 in. TABLE SAW** or when ordering parts.

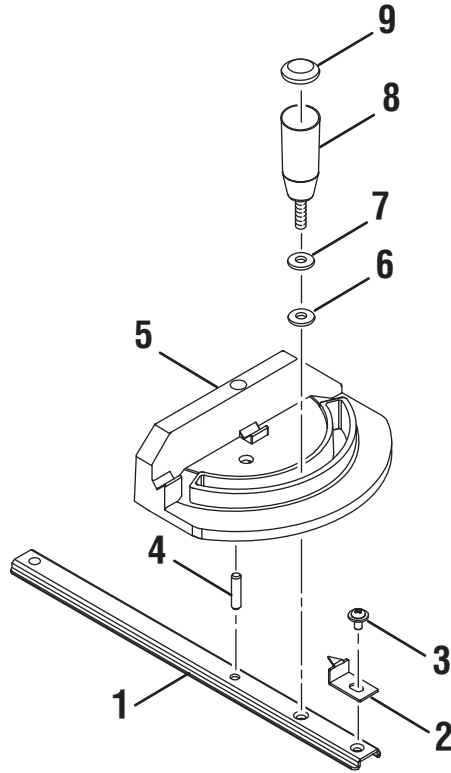
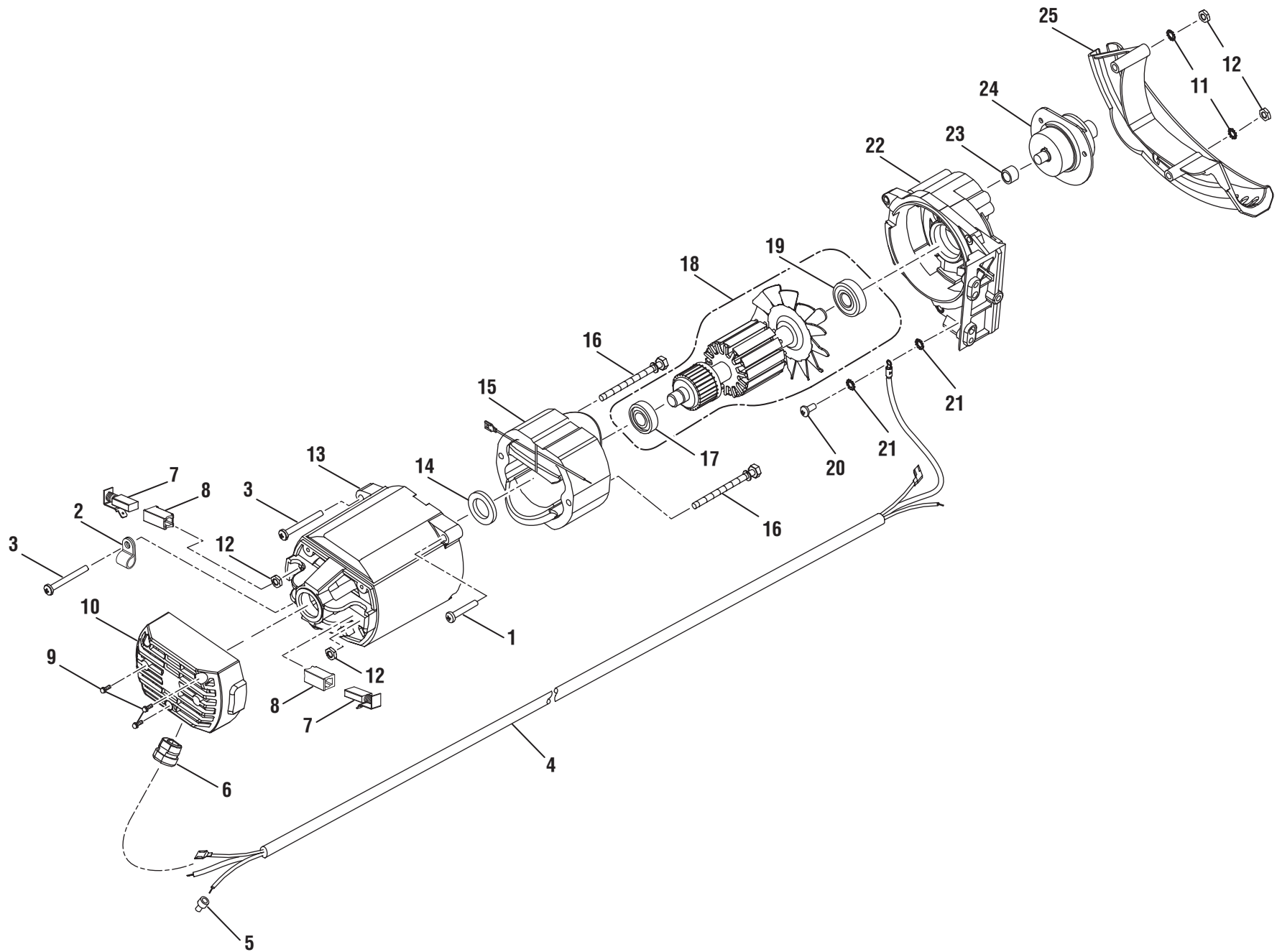


FIGURE E

PARTS LIST FOR FIGURE E

KEY NO.	PART NUMBER	DESCRIPTION	QTY	KEY NO.	PART NUMBER	DESCRIPTION	QTY
1	089015001009	Miter Gauge Rod	1	6	080015001475	Washer (D6.5 x D16 x 2t)	1
2	080015001563	Pointer	1	7	080015001560	Washer (D6.5 x D16 x 2t)	1
3	080015001662	Screw (3/16 in. x 1/4 in.)	1	8	089040002005	Miter Gauge Knob	1
4	089015001010	Pin	1	9	089040002006	Miter Gauge Cap	1
5	089037007086	Miter Gauge	1				

RYOBI 10 in. TABLE SAW – MODEL NUMBER RTS10NS



SECTION "A"

RYOBI 10 in. TABLE SAW – MODEL NUMBER RTS10NS

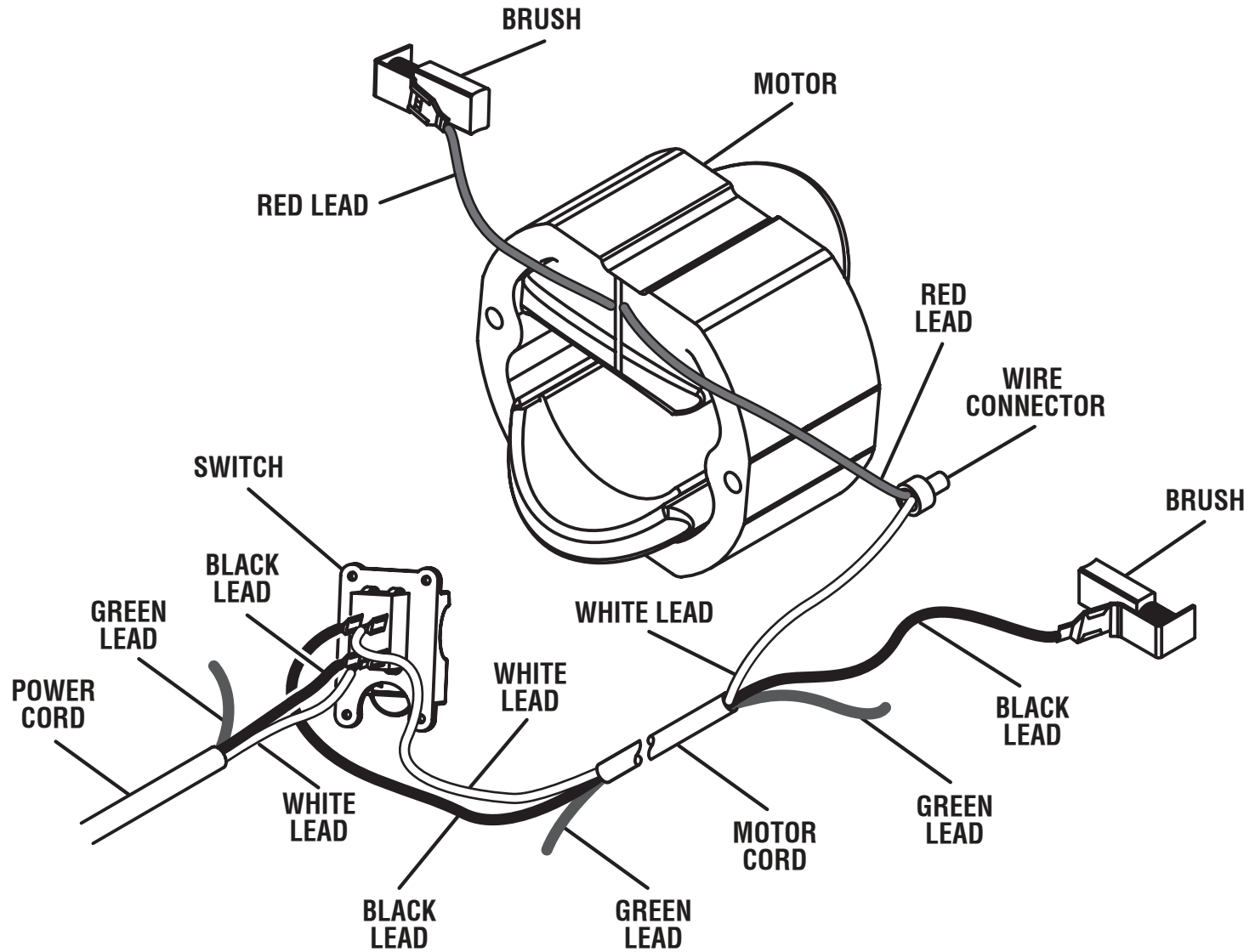
The model number will be found on a label attached to the cabinet. Always mention the model number in all correspondence regarding your **10 in. TABLE SAW** or when ordering parts.

PARTS LIST FOR SECTION "A"

KEY NO.	PART NUMBER	DESCRIPTION	QTY	KEY NO.	PART NUMBER	DESCRIPTION	QTY
1	080015001426	Screw w/Washer (M5 x 30 mm).....	1	14	080015001424	Wavy Washer (M6 x 16 mm).....	1
2	089110101081	Cord Clamp	1	15	089037007703	Field Assembly.....	1
3	080015001642	Screw (M5 x 75 mm).....	2	16	089037007052	Screw w/Washer (M5 x 70 mm, Hex Hd.).....	2
4	089037007047	Motor Cord	1	17	089240014005	Ball Bearing (6001 ZZ C3).....	1
5	089037007048	Wire Connector.....	1	18	089037007704	Armature Assembly (Inc. Key Nos. 17 and 19).....	1
6	089110101205	Strain Relief.....	1	19	089037007054	Ball Bearing (6201 ZZ C3).....	1
7	080015001641	Carbon Brush.....	2	20	089110101220	Screw (8-32 x 3/8 in, Truss Hd.)	1
8	089037007050	Brush Holder.....	2	21	089110101059	Lock Washer (D4).....	2
9	080015001415	Screw w/Washer (M4 x 12 mm, Pan Hd.).....	3	22	089037007119	Bearing (Gear) Housing.....	1
10	089037007116	Motor End Cap	1	23	089110102263	Needle Bearing	1
11	080015001470	Lock Washer (D5).....	2	24	089037007705	Arbor Assembly	1
12	080015001427	Hex Nut (M5).....	4	25	089037007060	Lower Blade Guard.....	1
13	089037007117	Motor Housing.....	1				

NOTE: The assembly shown represents an important part of the double insulated system. To avoid the possibility of alteration or damage to the system, service should be performed by your nearest Ryobi Authorized Service Center. Contact your nearest Ryobi Authorized Service Center for service.

RYOBI 10 in. TABLE SAW – MODEL NUMBER RTS10NS



WIRING DIAGRAM