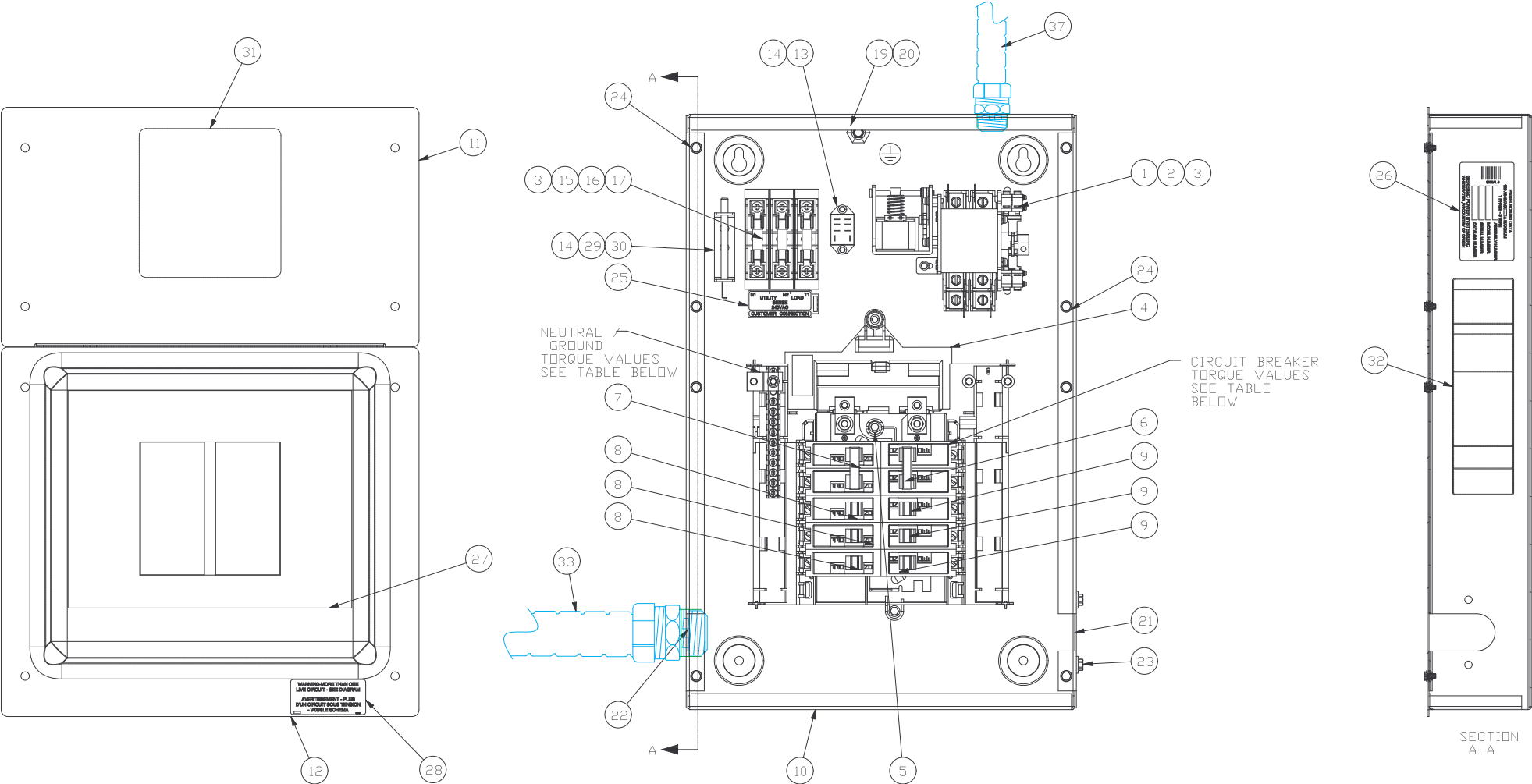


GROUP G



EXPLODED VIEW: EV RTG LCTR ASSY 10 CIR-GENERAC

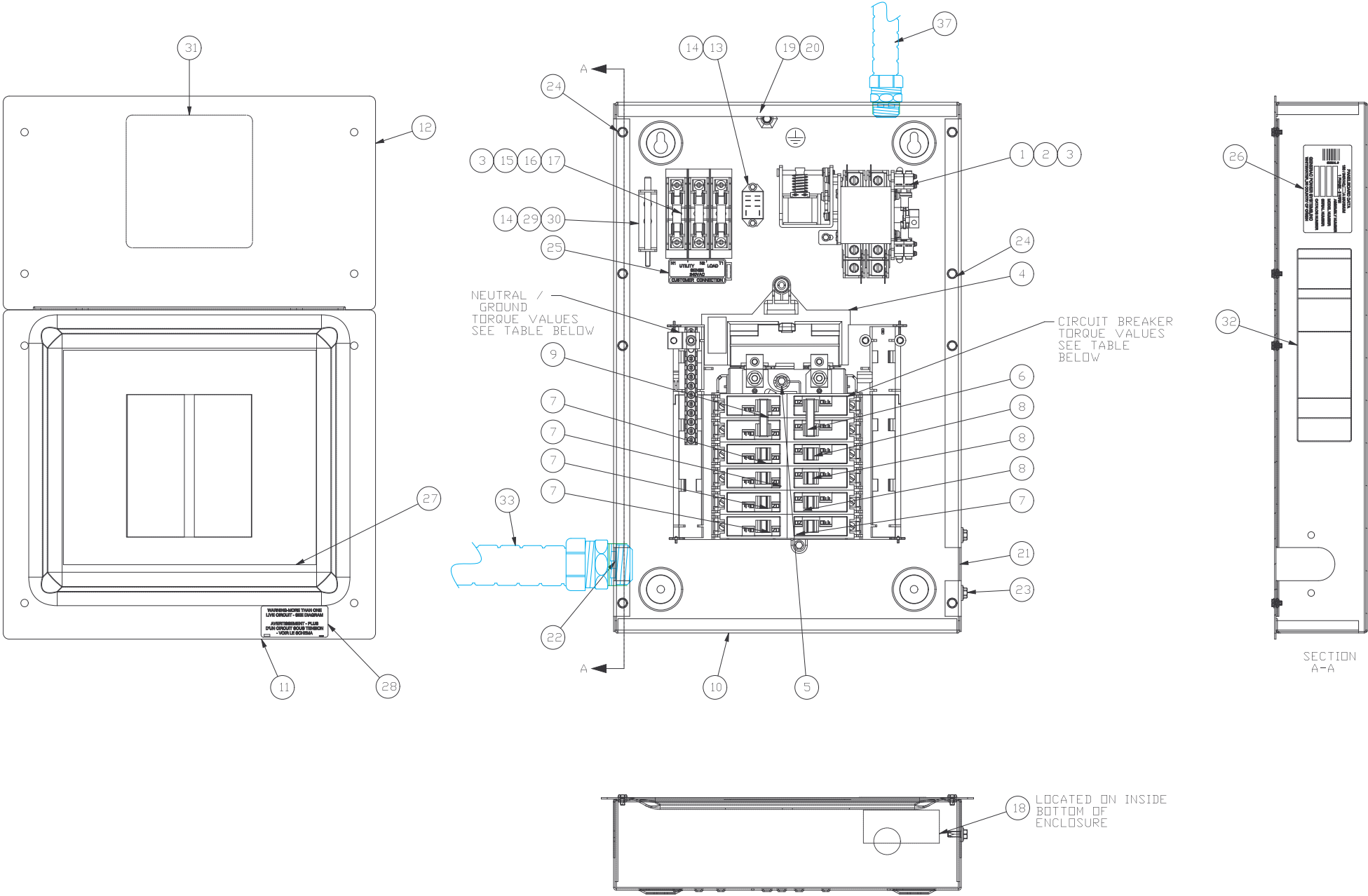
DRAWING #: 0H6426B

GROUP G

| ITEM | PART# | QTY. | DESCRIPTION |
|-------|-------------|------|--------------------------------------|
| 1 | 0J6600 | 1 | XFRSW 50A 2P 240V |
| 2 | 0K0800 | 6 | LUG SLDLSS 1/0-#14X9/16 AL/CU |
| 3 | 045764 | 4 | SCREW HHTT M4-0.7 X 8 ZP |
| 4 | 0E7889 | 1 | 12CIR L/CENTR 125A/240V SIEMS |
| 5 | 0C2267 | 2 | SCREW HHTT M5-0.8 X 12 BP |
| 6 | 0E7888 | 1 | CB 0020A 2P PLUG IN SIEMENS |
| 7 | 0E7888A | 1 | CB 0030A 2P PLUG IN SIEMENS |
| 8 | 0E7888B | 3 | CB 0015A 1P PLUG IN SIEMENS |
| 9 | 0E7888C | 3 | CB 0020A 1P PLUG IN SIEMENS |
| 10 | 0K29660ST0R | 1 | ENCLOSURE 10-12 POS. RTSG LC RAW |
| 11 | 0K30000ST0R | 1 | COVER TOP 10-12 POS. RTSG LC RAW |
| 12 | 0K30050ST0R | 1 | COVER 10 POS. RTSG LC RAW |
| (2)13 | 0K0103 | 1 | RELAY PNL 12VDC DPDT 10A@240VA |
| 14 | 0F2659 | 4 | SCREW HHTT M3-0.5 X 6 BP |
| 15 | 0J4492 | 1 | INSULATOR, FUSE BLOCK |
| (2)16 | 073591 | 3 | FUSEBLOCK 30A 600V 1POS |
| 17 | 073590A | 3 | FUSE 5A X BUSS |
| 18 | 0G8238 | 1 | DECAL,UL PANELBOARD |
| 19 | 0A1658 | 1 | WASHER LOCK SPECIAL 1/4" |
| 20 | 024912 | 1 | SCREW HHTT 1/4-20 X 5/8 CZ |
| 21 | 0G80860ST0R | 1 | HARNESS ENTRY COVER |
| 22 | 0G8095AST0R | 1 | HARNESS ADAPTER PLATE 1-1/4" CONDUIT |
| 23 | 0A7215 | 2 | SCREW HWHS 1/4-20 X 5/8 NY/W |
| 24 | 0A2111 | 8 | SCREW HWHS #10-32 X 5/16 ZYC |
| 25 | 0H6389 | 1 | DECAL UTILITY LOAD SENSE 240V |
| 26 | 0H6435A | 1 | DECAL DATA RTG SW.P/N 0H6426A |
| 27 | N/A | 1 | DECAL LC 10 CIRC. |
| 28 | 095282 | 1 | DECAL-LIVE CIRCUIT |
| (3)29 | 0E6155 | 1 | PIN ARM EXTENDER |
| 30 | 0E6193 | 1 | BRACKET, ARM EXTENDER |
| 31 | 0K3004 | 1 | DECAL, TEST SEQUENCE |
| 32 | 0K3006 | 1 | DECAL MANUAL OPERATION - 5AMP FUSE |
| 33 | 0H6421 | 1 | HARN RTG-MAIN-PNL 10CIR W/NEUT |
| (1)34 | 0H6436A | 1 | HARNESS LC RTG INT.CONN10-16 |
| (1)35 | 0H6436B | 1 | HARNESS LC RTG INT.CONN T1 |
| (1)36 | 0H6436C | 1 | HARNESS LC RTG INT.CONN T2 |
| 37 | 0K3910 | 1 | HARN GTS-EXT CONBOX 8-11KW |
| 38 | 031980 | 5 | TIE WRAP UL 14.6 X .14 NATL |

- (1) NOT SHOWN ON THIS ASSEMBLY
- (2) SUPPLIED WITH HARNESS ITEM #36
- (3) SUPPLIED WITH ITEM #1

GROUP B



EXPLODED VIEW: EV RTG LCTR ASSY 12 CIR-GENERAC

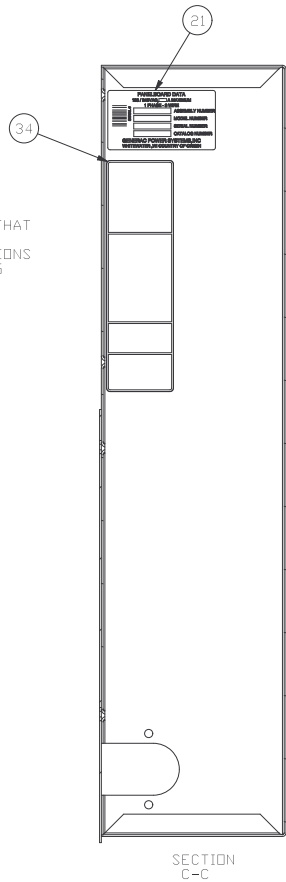
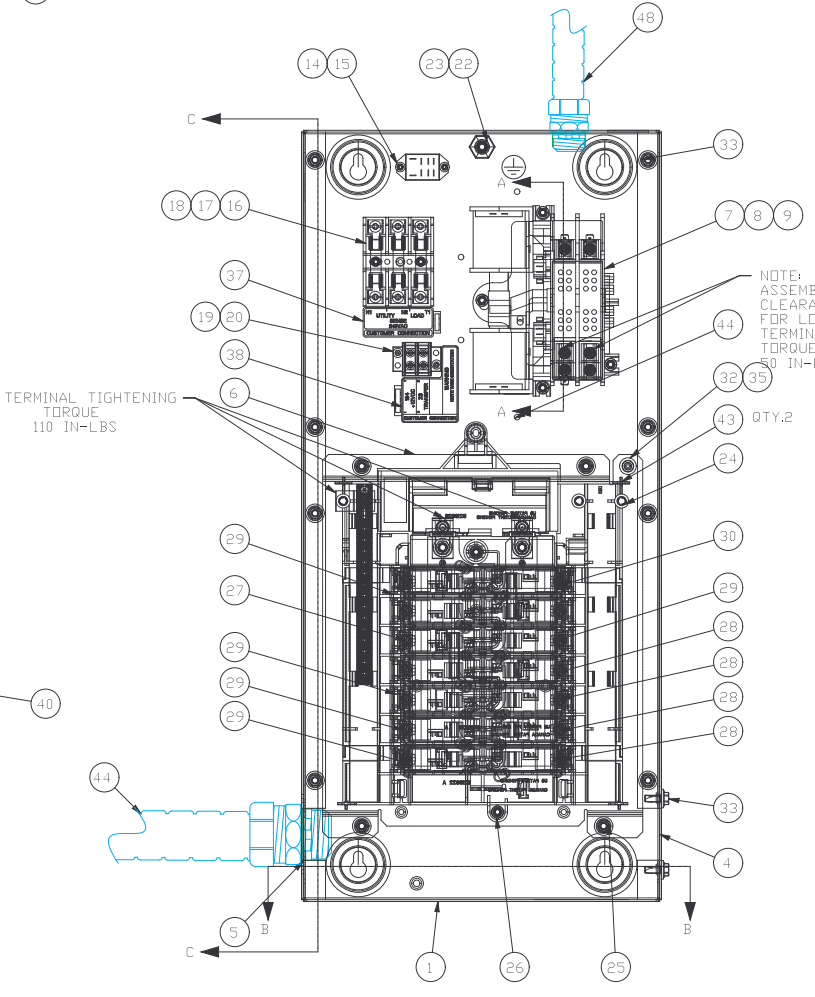
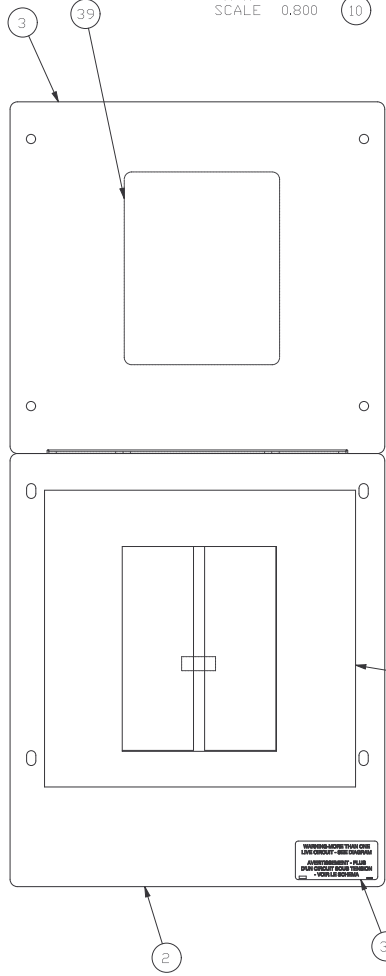
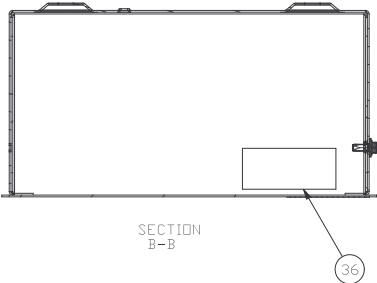
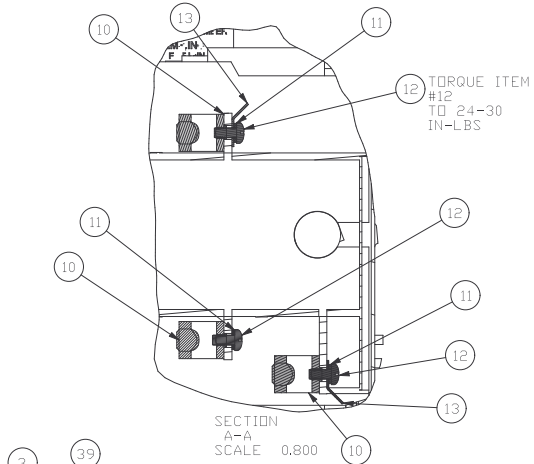
DRAWING #: 0H6427B

GROUP G

| ITEM | PART# | QTY. | DESCRIPTION |
|-------|-------------|------|--------------------------------------|
| 1 | 0J6600 | 1 | XFRSW 50A 2P 240V |
| 2 | 0K0800 | 6 | LUG SLDLSS 1/0-#14X9/16 AL/CU |
| 3 | 045764 | 4 | SCREW HHTT M4-0.7 X 8 ZP |
| 4 | 0E7889 | 1 | 12CIR L/CENTR 125A/240V SIEMS |
| 5 | 0C2267 | 2 | SCREW HHTT M5-0.8 X 12 BP |
| 6 | 0E7888A | 1 | CB 0030A 2P PLUG IN SIEMENS |
| 7 | 0E7888B | 5 | CB 0015A 1P PLUG IN SIEMENS |
| 8 | 0E7888C | 3 | CB 0020A 1P PLUG IN SIEMENS |
| 9 | 0E7888D | 1 | CB 0040A 2P PLUG IN SIEMENS |
| 10 | 0K29660ST0R | 1 | ENCLOSURE 10-12 POS. RTSG LC RAW |
| 11 | 0K29670ST0R | 1 | COVER 10-12 POS. RTSG LC RAW |
| 12 | 0K30000ST0R | 1 | COVER TOP 10-12 POS. RTSG LC RAW |
| (2)13 | 0K0103 | 1 | RELAY PNL 12VDC DPDT 10A@240VA |
| 14 | 0F2659 | 4 | SCREW HHTT M3-0.5 X 6 BP |
| 15 | 0J4492 | 1 | INSULATOR, FUSE BLOCK |
| (2)16 | 073591 | 3 | FUSEBLOCK 30A 600V 1POS |
| 17 | 073590A | 3 | FUSE 5A X BUSS |
| 18 | 0G8238 | 1 | DECAL,UL PANELBOARD |
| 19 | 0A1658 | 1 | WASHER LOCK SPECIAL 1/4" |
| 20 | 024912 | 1 | SCREW HHTT 1/4-20 X 5/8 CZ |
| 21 | 0G80860ST0R | 1 | HARNESS ENTRY COVER |
| 22 | 0G8095AST0R | 1 | HARNESS ADAPTER PLATE 1-1/4" CONDUIT |
| 23 | 0A7215 | 2 | SCREW HWHS 1/4-20 X 5/8 NY/W |
| 24 | 0A2111 | 8 | SCREW HWHS #10-32 X 5/16 ZYC |
| 25 | 0H6389 | 1 | DECAL UTILITY LOAD SENSE 240V |
| 26 | 0H6435C | 1 | DECAL DATA RTG SW.P/N 0H6427A |
| 27 | N/A | 1 | DECAL LC 12 CIRC. |
| 28 | 095282 | 1 | DECAL-LIVE CIRCUIT |
| (3)29 | 0E6155 | 1 | PIN ARM EXTENDER |
| 30 | 0E6193 | 1 | BRACKET, ARM EXTENDER |
| 31 | 0K3004 | 1 | DECAL, TEST SEQUENCE |
| 32 | 0K3006 | 1 | DECAL MANUAL OPERATION - 5AMP FUSE |
| 33 | 0H6422 | 1 | HARN RTG-MAIN-PNL 12CIR W/NEUT |
| (1)34 | 0H6436A | 1 | HARNESS LC RTG INT.CONN10-16 |
| (1)35 | 0H6436B | 1 | HARNESS LC RTG INT.CONN T1 |
| (1)36 | 0H6436C | 1 | HARNESS LC RTG INT.CONN T2 |
| 37 | 0K3910 | 1 | HARN GTS-EXT CONBOX 14/17KW |
| 38 | 031980 | 5 | TIE WRAP UL 14.6 X .14 NATL |

- (1) NOT SHOWN ON THIS ASSEMBLY
- (2) SUPPLIED WITH HARNESS ITEM #29
- (3) SUPPLIED WITH ITEM #1

GROUP G



EXPLODED VIEW: LOAD CENTER ASSY 14 CIRCUIT

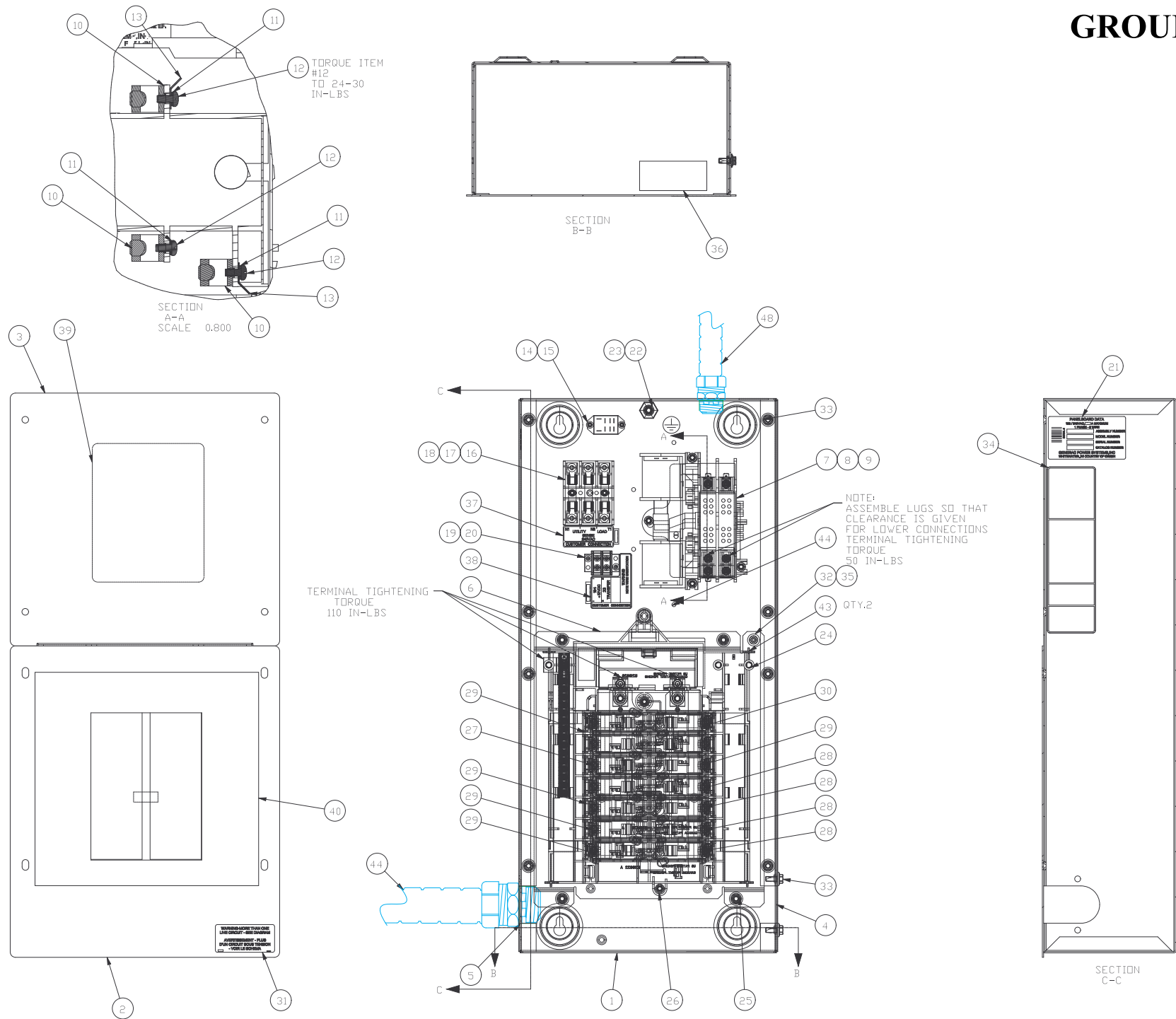
DRAWING #: 0H6428B

GROUP G

| ITEM | PART# | QTY. | DESCRIPTION |
|-------|-------------|-------|---|
| 1 | 0H64130ST0R | 1 | RTSG LOAD CENTER ENCLOSURE RAW |
| 2 | 0H64170ST0R | 1 | COVER BOTTOM 14 POS. RTSG LOAD CENTER RAW |
| 3 | 0K18870ST0R | 1 | COVER TOP 10-16 POS. RTSG LOAD CENTER RAW |
| 4 | 0G80860ST0R | 1 | HARNESS ENTRY COVER |
| 5 | 0G8095AST0R | 1 | HARNESS ADAPTER PLATE |
| 6 | 0G81300ST0R | 1 | SUBPLATE LOAD CENTER |
| 7 | 0C2237 | 1 | XFRSW HSB 100A 2P 250V |
| 8 | 0C2380 | 1 | DECAL TRANSFER SWITCH ID 100A |
| 9 | 074908 | 4 | SCREW HHTT M5-0.8 X 10 BP |
| 10 | 077033 | 6 | LUG SLDLSS 1/0-#14X9/16 AL/CU |
| 11 | 022152 | 6 | WASHER LOCK #10 |
| 12 | 036933 | 6 | SCREW PPHM #10-32 X 3/8 |
| 13 | 074138 | 3 | LUG DIS QK NI-S 10X45 DEG BR/T |
| (2)14 | 0K0103 | 1 | RELAY PNL 12VDC DPDT 10A@240VA |
| 15 | 0F2659 | 2 | SCREW HHTT M3-0.5 X 6 BP |
| (2)16 | 0D2572 | 1 | FUSEBLOCK 30A 600V 3POS W/SQ |
| 17 | 073590A | 3 | FUSE 5A X BUSS |
| 18 | 045764 | 2 | SCREW HHTT M4-0.7 X 8 ZP |
| (2)19 | 048766 | 1 | BLOCK TERM 20A 2 X 6 X 1100V |
| 20 | 0A1661 | 2 | RIVET POP .156 X .675 AL |
| 21 | 0H6435E | 1 | DECAL DATA RTG SW.P/N 0H6428A |
| 22 | 024912 | 1 | SCREW HHTT 1/4-20 X 5/8 CZ |
| 23 | 0A1658 | 1 | WASHER LOCK SPECIAL 1/4" |
| 24 | 0F9213 | 1 | 16CIR L/CENTR 125A/240V SIEMS |
| 25 | 0E4443 | 4 | SCREW HWHS 1/4-20 X 3/8" NY/W |
| 26 | 066849 | 2 | SCREW HHTT M5-0.8 X 16 |
| 27 | 0E7888 | 1 | CB 0020A 2P PLUG IN SIEMENS |
| 28 | 0E7888B | 4 | CB 0015A 1P PLUG IN SIEMENS |
| 29 | 0E7888C | 6 | CB 0020A 1P PLUG IN SIEMENS |
| 30 | 0E7888D | 1 | CB 0040A 2P PLUG IN SIEMENS |
| 31 | 095282 | 1 | DECAL-LIVE CIRCUIT |
| 32 | 022717A | 1 | GROMMET 3/8 X 1/16 X 1/4 |
| 33 | 0A7215 | 10 | SCREW HWHS 1/4-20 X 5/8 NY/W |
| 34 | 0A9517 | 1 | DECAL MANUAL 5A FUSE |
| (3)35 | 0E6155 | 1 | PIN ARM EXTENDER |
| 36 | 0G8238 | 1 | DECAL,UL PANELBOARD |
| 37 | 0H6389 | 1 | DECAL UTILITY LOAD SENSE 240V |
| 38 | 0H6390 | 1 | DECAL CUSTOMER CONN |
| 39 | 0H6419 | 1 | DECAL, TEST SEQUENCE |
| 40 | N/A | 1 | DECAL LC 14 CIRC. |
| 41 | 0F4790 | 5.28" | U CHANNEL 1/16" |
| 42 | 0G8233A | 4 | CABLE TIE SELF MOUNTING 4.3LG. |
| (1)43 | 031980 | 5 | TIE WRAP UL14.6 X .14 NATL |
| 44 | 0H6423 | 1 | HARN RTG-MAIN-PNL 14CIR W/NEUT |
| (1)45 | 0H6452A | 1 | HARN LC RTG INT.CON10-16 100A |
| (1)46 | 0H6452B | 1 | HARN LC RTG INT.CON T1 100A |
| (1)47 | 0H6452C | 1 | HARN LC RTG INT.CON T2 100A |
| 48 | 0H6397 | 1 | HARN GTS-EXT CONBOX 14/17KW |

- (1) NOT SHOWN ON THIS ASSEMBLY
- (2) SUPPLIED WITH HARNESS ITEM #45
- (3) SUPPLIED WITH ITEM #7

GROUP G



EXPLODED VIEW: LOAD CENTER ASSY16 CIRCUIT

DRAWING #: 0H6429B

GROUP G

| ITEM | PART# | QTY. | DESCRIPTION |
|-------|-------------|-------|---|
| 1 | 0H64130ST0R | 1 | RTSG LOAD CENTER ENCLOSURE RAW |
| 2 | 0H64180ST0R | 1 | COVER BOTTOM 16 POS. RTSG LOAD CENTER RAW |
| 3 | 0K18870ST0R | 1 | COVER TOP 10-16 POS. RTSG LOAD CENTER RAW |
| 4 | 0G80860ST0R | 1 | HARNESS ENTRY COVER |
| 5 | 0G8095AST0R | 1 | HARNESS ADAPTER PLATE |
| 6 | 0G81300ST0R | 1 | SUBPLATE LOAD CENTER |
| 7 | 0C2237 | 1 | XFRSW HSB 100A 2P 250V |
| 8 | 0C2380 | 1 | DECAL TRANSFER SWITCH ID 100A |
| 9 | 074908 | 4 | SCREW HHTT M5-0.8 X 10 BP |
| 10 | 077033 | 6 | LUG SLDLSS 1/0-#14X9/16 AL/CU |
| 11 | 022152 | 6 | WASHER LOCK #10 |
| 12 | 036933 | 6 | SCREW PPHM #10-32 X 3/8 |
| 13 | 074138 | 3 | LUG DIS QK NI-S 10X45 DEG BR/T |
| (2)14 | 0K0103 | 1 | RELAY PNL 12VDC DPDT 10A@240VA |
| 15 | 0F2659 | 2 | SCREW HHTT M3-0.5 X 6 BP |
| (2)16 | 0D2572 | 1 | FUSEBLOCK 30A 600V 3POS W/SQ |
| 17 | 073590A | 3 | FUSE 5A X BUSS |
| 18 | 045764 | 2 | SCREW HHTT M4-0.7 X 8 ZP |
| (2)19 | 048766 | 1 | BLOCK TERM 20A 2 X 6 X 1100V |
| 20 | 0A1661 | 2 | RIVET POP .156 X .675 AL |
| 21 | 0H6435G | 1 | DECAL DATA RTG SW.P/N 0H6429A |
| 22 | 024912 | 1 | SCREW HHTT 1/4-20 X 5/8 CZ |
| 23 | 0A1658 | 1 | WASHER LOCK SPECIAL 1/4" |
| 24 | 0F9213 | 1 | 16CIR L/CENTR 125A/240V SIEMS |
| 25 | 0E4443 | 4 | SCREW HWHS 1/4-20 X 3/8" NY/W |
| 26 | 066849 | 2 | SCREW HHTT M5-0.8 X 16 |
| 27 | 0E7888 | 1 | CB 0020A 2P PLUG IN SIEMENS |
| 28 | 0E7888B | 5 | CB 0015A 1P PLUG IN SIEMENS |
| 29 | 0E7888C | 5 | CB 0020A 1P PLUG IN SIEMENS |
| 30 | 0E7888D | 1 | CB 0040A 2P PLUG IN SIEMENS |
| 31 | 0E7888E | 1 | CB 0050A 2P PLUG IN SIEMENS |
| 32 | 095282 | 1 | DECAL-LIVE CIRCUIT |
| 33 | 022717A | 1 | GROMMET 3/8 X 1/16 X 1/4 |
| 34 | 0A7215 | 10 | SCREW HWHS 1/4-20 X 5/8 NY/W |
| 35 | 0A9517 | 1 | DECAL MANUAL 5A FUSE |
| (3)36 | 0E6155 | 1 | PIN ARM EXTENDER |
| 37 | 0G8238 | 1 | DECAL,UL PANELBOARD |
| 38 | 0H6389 | 1 | DECAL UTILITY LOAD SENSE 240V |
| 39 | 0H6390 | 1 | DECAL CUSTOMER CONN |
| 40 | 0H6419 | 1 | DECAL, TEST SEQUENCE |
| 41 | N/A | 1 | DECAL LC 16 CIRC. |
| 42 | 0F4790 | 5.28" | U CHANNEL 1/16" |
| 43 | 0G8233A | 4 | CABLE TIE SELF MOUNTING 4.3LG. |
| (1)44 | 031980 | 5 | TIE WRAP UL14.6 X .14 NATL |
| 45 | 0H6424 | 1 | HARN RTG-MAIN-PNL 16CIR W/NEUT |
| (1)46 | 0H6452A | 1 | HARN LC RTG INT.CON10-16 100A (SEE TABLE 2) |
| (1)47 | 0H6452B | 1 | HARN LC RTG INT.CON T1 100A (SEE TABLE 2) |
| (1)48 | 0H6452C | 1 | HARN LC RTG INT.CON T2 100A (SEE TABLE 2) |
| 49 | 0H6397 | 1 | HARN GTS-EXT CONBOX 14/17KW (SEE TABLE 1) |

- (1) NOT SHOWN ON THIS ASSEMBLY
- (2) SUPPLIED WITH HARNESS ITEM #46
- (3) SUPPLIED WITH ITEM #7