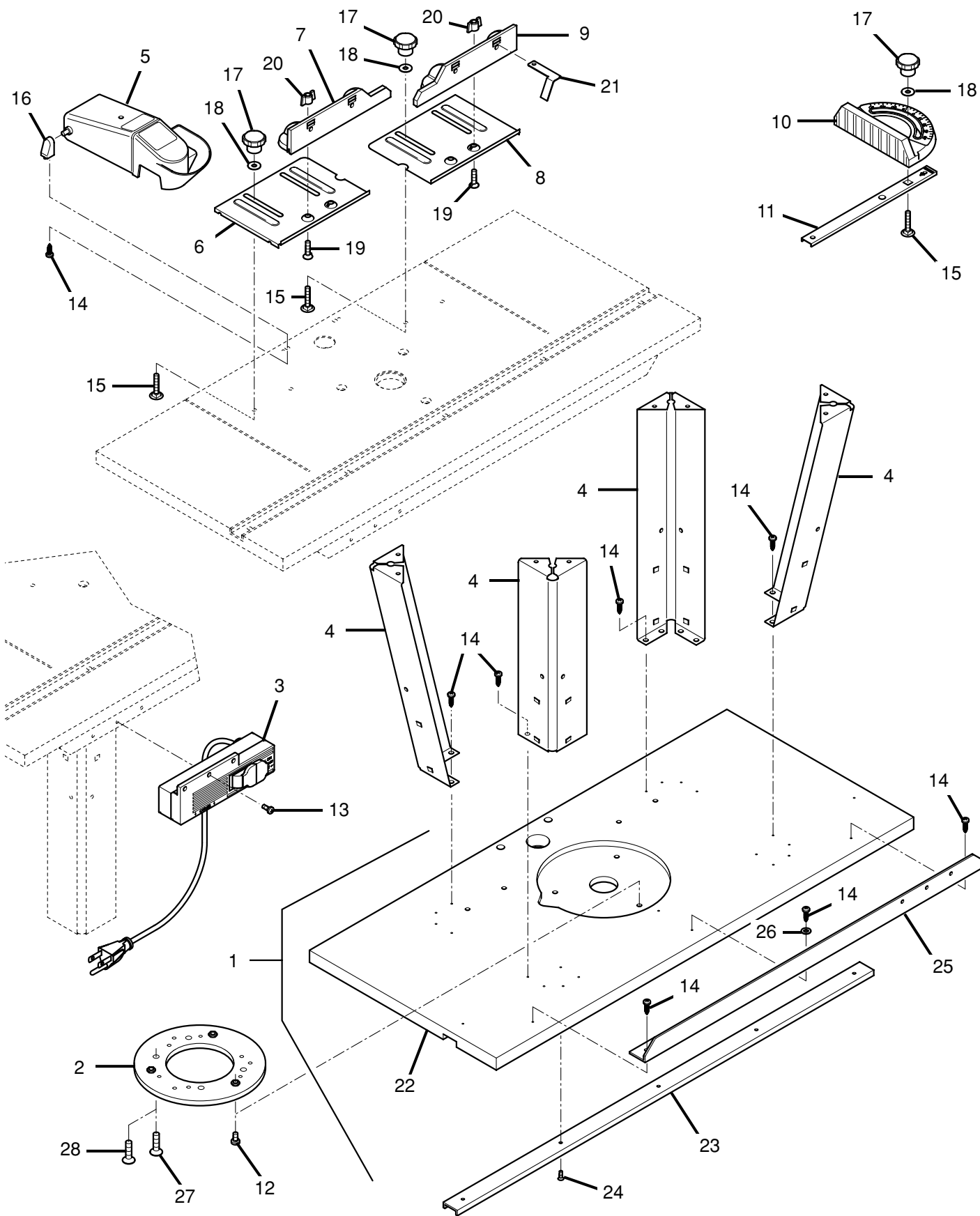


# REPAIR PARTS



# REPAIR PARTS

KEY NO.	ITEM	Part NO.	DESCRIPTION	QTY.
1	F	119800417	Tabletop	1
2	K	116620427	Adapter plate	1
3	P	117920107	Switch box	1
4	G	117020211	Leg	4
5	A	116620256	Safety shield	1
6	E	117020215	Fence base, left	1
7	D	116610326	Fence, left	1
8	C	117020214	Fence base, right	1
9	B	116610325	Fence, right	1
10	H	116610328	Miter guide	1
11	J	117010029	Miter bar	1

## Hardware bag 1

**119900102**

12	T	116700190	Pan head screw (M6x12)	3
13	U	116700176	Self tapping pan head screw (M5x12)	3
14	Q	116700186	Pan head screw (5x16)	18
15	R	116700171	Carriage bolt (M6x30)	5
16	M	116610311	Holder	2
17	L	116610284	Knob	5
18	V	116700165	Washer (6,4 DIN 9021)	5
19	S	116700189	Countersink screw with nose (M6x20)	4
20	W	116610310	Wing nut (M6)	4
21	N	116610336	Feather flap	2
27	X	119900141	Countersink screw (5/16" - 18 x 3/4")	3
28	Y	119900212	Countersink screw (M8x20)	3

## Repair parts tabletop (Key No. 1)

14	Q	116700186	Pan head screw (5x16)	3
22		117900092	Tabletop	1
23		116610312	Miter chanel	1
24		116700187	Countersink screw (M4x12)	5
25		117020010	L-bracket	1
26		116700175	Washer (6,4 DIN 125)	1