

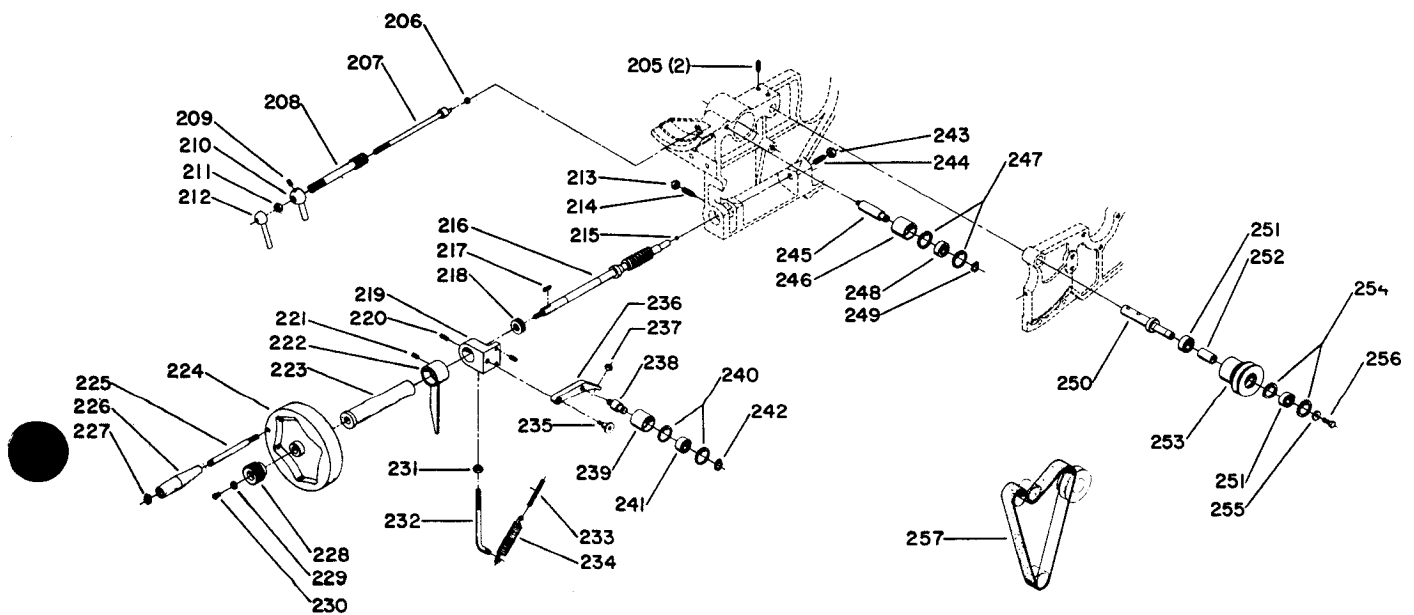
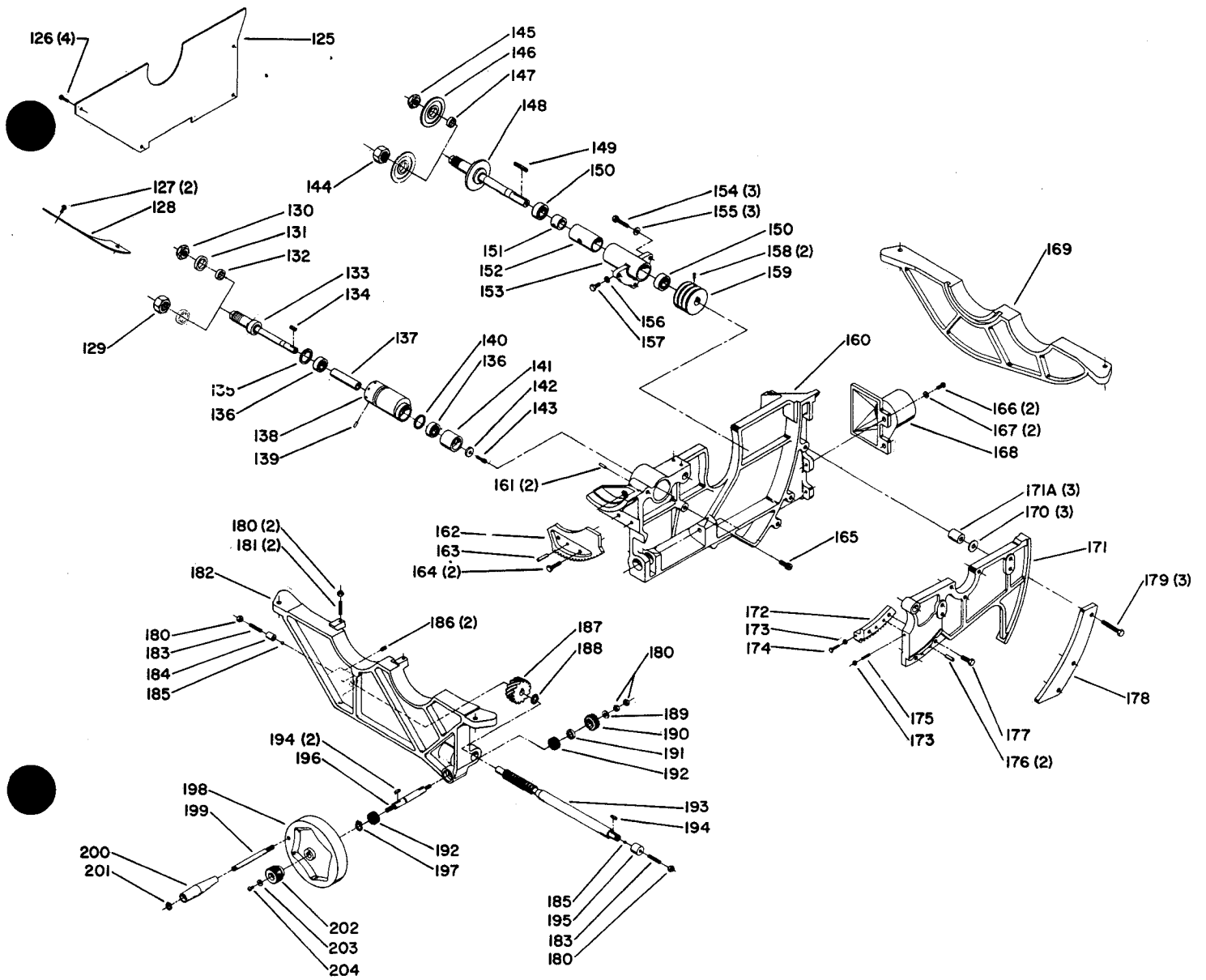
## REPLACEMENT PARTS

Ref. No.	Part No.	Description
*	422-31-354-0001	Blade Guard Assembly, Const. of:
1	1246155	(DIN 963) M6 x 12mm Slot Flat Hd. Scr.
2	422-31-017-0005	Bushing (See Service Note A)
3	422-31-104-0001	Washer
4	422-31-054-0001	Blade Guard
5	422-31-089-0001	Guard Support
6	1246193	(DIN 1481) Ø6 x 60mm Roll Pin
7	422-31-071-0002	Pin
8	422-31-004-0001	Bar
9	422-31-017-0001	Bushing
10	1246137	(DIN 913) M5 x 8mm Hex Soc. Set Scr. (See Service Note A)
11	1246056	(DIN 912) M6 x 12mm Hex Soc. Hd. Cap Scr.
12	1246198	(DIN 912) M10 x 60mm Soc. Hd. Cap Scr.
13	1243502	(DIN 125) Ø10mm Flat Washer
14	422-31-104-0009	Spacer
15	422-31-104-0010	Spacer
16	1243497	(DIN 471) 12e External Retaining Ring
17	422-31-047-0001	Anti-Kick Back Finger
18	422-31-071-0003	Pin
19	422-31-086-0001	Splitter
20	422-31-104-0007	Washer
21	1243379	(DIN 912) M6 x 10mm Soc. Hd. Cap Scr.
22	1246015	(DIN 933) M6 x 20mm Hex Hd. Cap Scr.
23	904-01-010-1604	1/4" Flat Washer
24	422-31-014-0001	Splitter Bracket
25	1243456	(DIN 934) M6 Hex Nut
26	1246013	(DIN 933) M6 x 12mm Hex Hd. Cap Scr.
27	1246009	(DIN 913) M8 x 10mm Hex Soc. Set Scr.
28	422-31-027-0001	Guard Clamp
29	422-31-071-0001	Pin
30	422-31-363-0001	Table Insert Assy., Incl:
31	1246137	(DIN 913) M5 x 8mm Hex Soc. Set Scr.
32	1246109	(DIN 1481) Ø5 x 16mm Roll Pin
33	422-31-109-0001	Extension Wing
34	1246074	(DIN 912) M10 x 30mm Soc. Hd. Cap Scr.
35	1243360	(DIN 7980) Ø10mm Lockwasher
36	422-31-091-0001	Table
37	1243502	(DIN 125) Ø10mm Flat Washer
38	1246148	(DIN 933) M10 x 18mm Hex Hd. Cap Scr.
39	422-29-072-0004.	Adapter Plate
40	1243502	(DIN 125) Ø10mm Flat Washer
41	1246018	(DIN 933) M10 x 25mm Hex Hd. Cap Scr.
42	1246035	(DIN 933) M10 x 30mm Hex Hd. Cap Scr.
43	422-31-112-0001	Adjusting Screw
44	1246029	(DIN 933) M10 x 40mm Hex Hd. Cap Scr.
45	1243496	(DIN 934) M10 Hex Nut
46	1246013	(DIN 933) M6 x 12mm Hex Hd. Cap Scr.
47	422-31-071-0012	Pin
48	1243497	(DIN 471) 12e External Retaining Ring
49	422-31-014-0006	Bracket
50	1246135	(DIN 963) M6 x 16mm Slot Flat Hd. Scr.
51	1243456	(DIN 934) M6 Hex Nut
52	422-31-305-0001	Base, Incl.:
53	428-07-137-0001	Nameplate
54	428-06-079-0001	Rivit
55	422-31-123-0001	Panel
56	1246130	(DIN 84) M6 x 16mm Slot Cheese Hd. Mach. Scr.
57	438-01-017-0173	On Button w/Switch
58	438-01-017-0172	Off Button w/Switch
59	422-31-013-0001	Accessory Tray
60	901-06-133-1263	#10-24 x 3/8" Type F Self Tap Pan Hd. Scr.
61	1246034	(DIN 933) M8 x 20mm Hex Hd. Cap Scr.
62	904-01-010-1605	5/16" Flat Washer
63	422-31-055-0001	Guide
64	1243398	(DIN 934) M8 Hex Nut
65	422-31-122-0002	Flat Spring
66	422-29-101-0003	Lever
67	955-03-020-2200	5/16" Allen Wrench
68	432-07-101-0001	Open End Wrench
69	422-31-101-0001	Wrench
70	422-31-101-0002	17 x 19mm Wrench

\* NOT SHOWN ASSEMBLED

### SERVICE NOTES:

A - Install new part with Loctite to prevent loosening during operation.

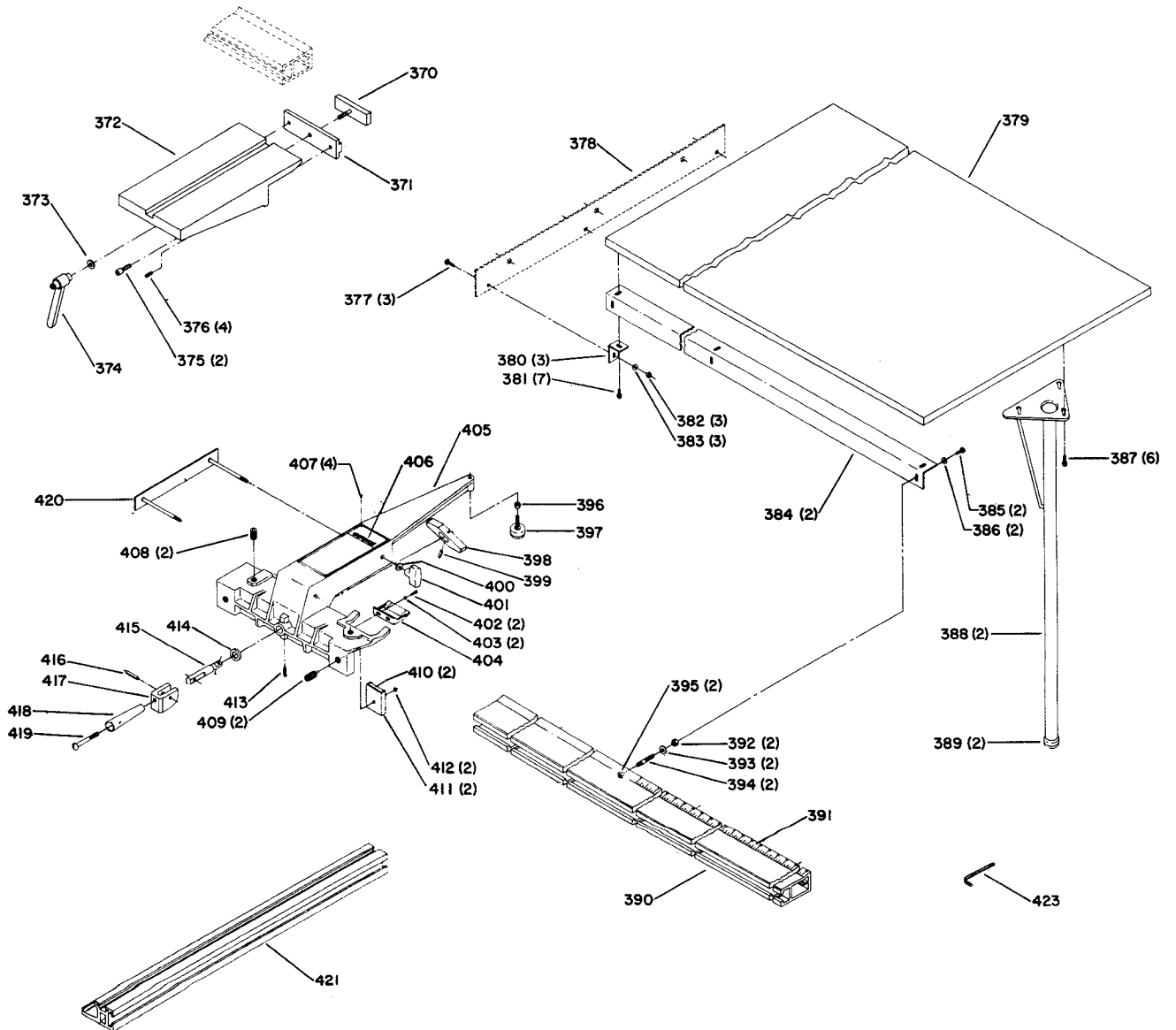
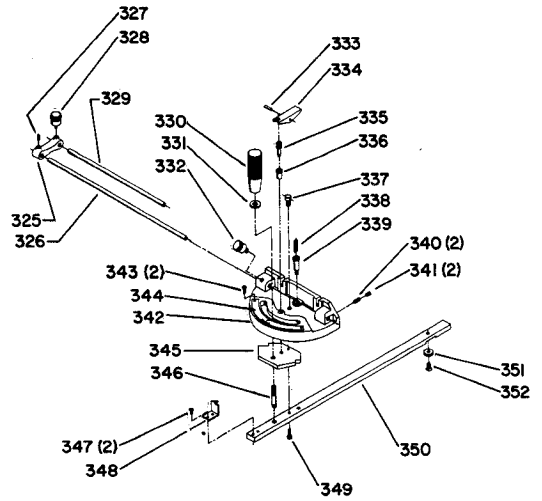
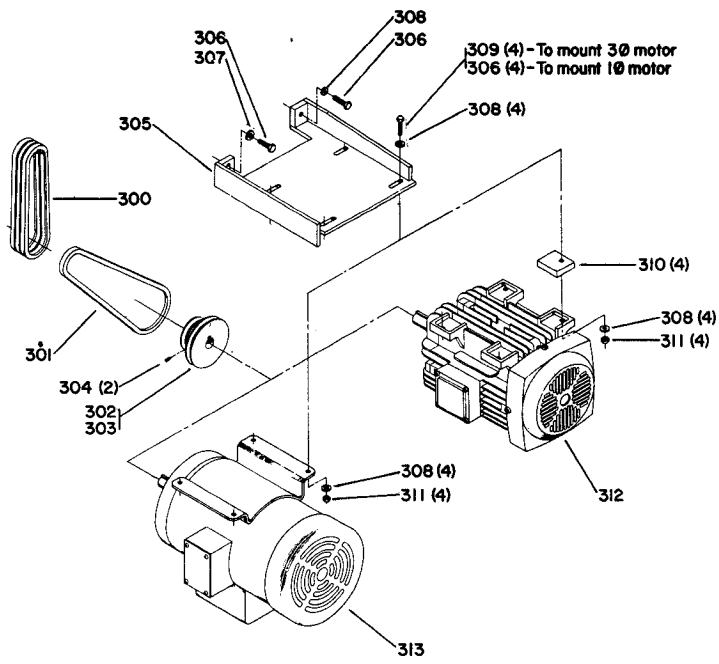


REPLACEMENT PARTS

Ref. No.	Part No.	Description	Ref. No.	Part No.	Description
125	422-29-031-0001	Cover	190	428-07-051-0013	Gear
126	1246130	(DIN 84) M6 x 16mm Slot Cheese Hd. Mach. Scr.	191	422-31-104-0006	Spacer
127	1246001	(DIN 84) M5 x 12mm Slot Cheese Hd. Mach. Scr.	192	1246141	Bearing
128	422-29-031-0003	Dust Cover	193	422-31-051-0002	Tilt Worm Gear
129	422-30-079-0009	Scoring Extension Nut (used for Dado operations)	194	428-06-079-0003	Key
130	422-31-079-0002	Scoring Arbor Nut (used for standard cutting operations)	195	422-31-017-0007	Bushing
131	422-31-103-0001	Flange (used for standard cutting operations)	196	422-31-106-0003	Tilt Handwheel Shaft
132	422-31-104-0004	Spacer	197	1246196	(DIN 471) 15e External Retaining Ring
133	422-31-003-0001	Scoring Arbor w/Dado Extension	198	422-31-100-0001	Handwheel
134	428-06-079-0003	Key	199	428-06-111-0001	Handle Stud
135	1246145	(DIN 472) 35i Internal Retaining Ring	200	428-06-067-0001	Handle
136	422-29-139-0002	Bearing	201	1246026	(DIN 6799) RS-8 Retaining Ring
137	422-31-017-0003	Bushing	202	422-31-067-0002	Wheel Lock Nut
138	422-31-014-0002	Scoring Arbor Bracket	203	1246102	(DIN 125) Ø5mm Flat Washer
139	1246147	(DIN 1481) Ø3 x 14mm Roll Pin	204	1246001	(DIN 84) M5 x 12mm Slot Cheese Hd. Mach. Scr.
140	422-30-079-0002	Wave Washer	205	1246041	(DIN 914) M8 x 16mm Hex Soc. Set Scr.
141	422-31-130-0001	Pulley	206	422-31-068-0002	Lock
142	428-06-104-0002	Washer	207	422-31-106-0001	Adjusting Shaft
143	1246004	(DIN 912) M6 x 16mm Hex Soc Hd. Cap. Scr.	208	422-31-106-0002	Locking Shaft
144	422-30-079-0008	Arbor Nut (for use with Dado Blades)	209	1243339	(DIN 913) M6 x 18mm Hex Soc. Set Scr.
145	422-31-079-0003	Arbor Nut (for use with Standard Blades)	210	422-31-117-0001	Lock Lever
146	422-29-103-0001	Flange	211	1243496	(DIN 934) M10 Hex Nut
147	422-31-104-0004	Spacer (for use with Standard Blades)	212	422-29-117-0001	Lock Lever
148	422-31-003-0002	Arbor w/Flange and Dado Extension	213	1243496	(DIN 934) M10 Hex Nut
149	428-07-079-0005	Key	214	1246134	(DIN 915) M10 x 25mm Hex Soc. Set Scr.
150	422-31-139-0001	Bearing	215	1246197	(DIN 5401) 5/16" Dia. Ball
151	422-31-104-0003	Collar	216	422-31-051-0003	Elevating Worm Gear
152	422-31-017-0004	Bushing	217	428-06-079-0003	Key
153	422-31-014-0003	Arbor Bracket	218	1246141	Bearing
154	1246017	(DIN 933) M8 x 30mm Hex Hd. Cap Scr.	219	422-31-089-0002	Pivot Support
155	904-01-010-1605	5/16" Flat Washer	220	1246009	(DIN 913) M8 x 10 Hex Soc. Set Scr.
156	1246157	(DIN 7980) Ø8 Lockwasher	221	1243339	(DIN 913) M6 x 18mm Hex Soc. Set Scr.
157	1246034	(DIN 933) M8 x 20mm Hex Hd. Cap Scr.	222	422-31-075-0001	Pointer
158	1243321	(DIN 913) M6 x 10mm Hex Soc. Set Scr.	223	422-31-100-0002	Wheel Hub
159	422-31-130-0002	Arbor Pulley	224	422-31-100-0001	Handwheel
160	422-31-102-0001	Yoke	225	428-06-111-0001	Handle Stud
161	1246147	(DIN 1481) Ø3 x 14mm Roll Pin	226	428-06-067-0001	Handle
162	422-29-051-0002	Rack-Tilt	227	1246026	(DIN 6799) RS-8 Retaining Ring
163	1243550	(DIN 1481) Ø8 x 20mm Roll Pin	228	422-31-067-0002	Wheel Lock Nut
164	1246034	(DIN 933) M8 x 20mm Hex Hd. Cap Scr.	229	1246102	(DIN 125) Ø5mm Flat Washer
165	1246122	(DIN 912) M8 x 16mm Hex Soc. Hd. Cap. Scr.	230	1246001	(DIN 84) M5 x 12mm Slot Cheese Hd. Mach. Scr.
166	1246113	(DIN 84) M8 x 20mm Slot Cheese Hd. Mach. Scr.	231	1243496	(DIN 934) M10 Hex Nut
167	904-01-010-1605	5/16" Flat Washer	232	422-31-071-0010	Spring Pin
168	422-29-026-0001	Dust Chute	233	422-31-112-0002	Adjusting Screw
169	422-31-014-0004	Rear Trunnion	234	422-31-122-0003	Spring
170	422-29-104-0007	Spacer	235	422-31-071-0009	Pin
171	422-31-314-0001	Elevating Bracket Incl:(See Service Note B)	236	422-31-090-0001	Arm
171A	Three (3) Spacers	Not available as individual replacement part (See Service Note B)	237	1243456	(DIN 934) M6 Hex Nut
172	422-29-051-0001	Elevating Rack	238	422-31-071-0008	Pin
173	1243456	(DIN 934) M6 Hex Nut	239	422-31-130-0004	Flat Pulley
174	1246015	(DIN 933) M6 x 20mm Hex Hd. Cap Scr.	240	1246195	(DIN 472) 32i Internal Retaining Ring
175	1246124	(DIN 913) M6 x 25mm Hex Soc. Set Scr.	241	422-31-139-0002	Bearing
176	1243550	(DIN 1481) Ø8 x 20mm Roll Pin	242	1246196	(DIN 471) 15e External Retaining Ring
177	1246018	(DIN 933) M10 x 25mm Hex Hd. Cap Scr.	243	1243398	(DIN 934) M8 Hex Nut
178	422-31-079-0004	Retainer	244	1246150	(DIN 913) M8 x 25mm Hex Soc. Set Scr.
179	1246099	(DIN 933) M10 x 50mm Hex Hd. Cap Scr.	245	422-31-071-0007	Pin
180	1243398	(DIN 934) M8 Hex Nut	246	422-31-130-0004	Flat Pulley
181	1246150	(DIN 913) M8 x 25mm Hex Soc. Set Scr.	247	1246195	(DIN 472) 32i Internal Retaining Ring
182	422-31-014-0005	Front Trunnion Bracket	248	422-31-139-0002	Bearing
183	1246112	(DIN 913) M8 x 35mm Hex Soc. Set Scr.	249	1246196	(DIN 471) 15e External Retaining Ring
184	422-31-017-0006	Bushing	250	422-31-071-0006	Pin
185	1246197	(DIN 5401) 5/16" Dia. Ball	251	422-31-139-0002	Bearing
186	1246009	(DIN 913) M8 x 10mm Hex Soc. Set Scr.	252	422-31-104-0005	Spacer
187	422-31-051-0001	Gear	253	422-31-130-0003	Pulley
188	1243301	(DIN 471) 16e External Retaining Ring	254	1246195	(DIN 472) 32i Internal Retaining Ring
189	1243526	(DIN 125) Ø8 x 24mm Flat Washer	255	422-29-079-0001	Washer
			256	1246078	(DIN 933) M8 x 15mm Hex Hd. Cap Scr.
			257	422-31-133-0002	Belt

SERVICE NOTES:

B - When replacing Elevating Bracket Ref. No. 171, old Spacer Ref. No. 171A must be discarded. Elevating Bracket comes cast with three (3) Spacers attached, which must be broken off and used with new part.



## REPLACEMENT PARTS

Ref. No.	Part No.	Description
300	422-29-133-0001	Matched Set of Three (3) V-Belts, 512mm O.C.
301	422-31-133-0001	V-Belt, 737mm O.C.
302	422-31-130-0005	Motor Pulley (for use with Three Phase Motors)
303	422-31-130-0006	Motor Pulley (for use with Single Phase Motors)
304	1243321	(DIN 913) M6 x 10mm Hex Soc. Set Scr.
305	422-31-072-0001	Motor Plate
306	1246035	(DIN 933) M10 x 30mm Hex Hd. Cap Scr.
307	422-29-079-0015	Washer
308	1243502	(DIN 125) Ø10mm Flat Washer
309	1246099	(DIN 933) M10 x 50mm Hex Hd. Cap Scr.
310	422-31-104-0011	Motor Plate Spacer (for use with Three Phase Motors)
311	1243496	(DIN 934) M10 Hex Nut
312	438-02-314-0965	Motor-200-220/440V, 3 PH, 60 HZ, 5 H.P.
313	83-069	Motor-230V, 1 PH, 60 HZ, 3 H.P.
*	422-31-350-0001	Miter Gage, Const. of:
325	422-29-089-0001	Stop Support
326	422-29-108-0002	Rod
327	1243321	(DIN 913) M6 x 10mm Hex Soc. Set Scr.
328	422-29-138-0004	Knob
329	422-29-108-0001	Stop Rod
330	422-31-067-0003	Handle
331	1243502	(DIN 125) Ø10mm Flat Washer
332	422-29-138-0003	Knob
333	1246119	(DIN 1481) Ø3 x 16mm Roll Pin
334	422-31-067-0001	Lever
335	422-31-071-0004	Pin
336	422-31-017-0002	Bushing
337	422-31-071-0005	Pin
338	422-31-122-0001	Spring
339	422-31-071-0011	Hinge Pin
340	1246008	(DIN 913) M5 x 12mm Hex Soc. Set Scr.
341	1246159	(DIN 913) M5 x 5mm Hex Soc. Set Scr.
342	422-31-012-0001	Miter Gage Body, Incl:
343	428-06-079-0001	Rfvtit
344	422-29-132-001	Scale
345	422-31-088-0001	Stop
346	422-31-111-0002	Stud
347	1243501	(DIN 84) M4 x 10mm Slot Cheese Hd. Mach. Scr.
348	422-29-075-0001	Pointer
349	1246051	(DIN 912) M5 x 12mm Hex Soc. Hd. Cap Scr.
350	422-31-004-0002	Guide Bar
351	422-29-083-0001	Shim
352	1246021	(DIN 963) M5 x 10mm Slot Flat Hd. Scr.
*	1330006	Extension Assembly, Const. of:
370	1330008	Clamp
371	1330009	Support
372	1330007	Extension
373	1243502	(DIN 125) Ø10mm Flat Washer
374	432-07-138-0007	Knob
375	1246074	(DIN 912) M10 x 30mm Hex Soc. Hd. Cap Scr.
376	1246010	(DIN 913) M8 x 16mm Hex Soc. Set Scr.
377	901-11-020-0821	1/4-20 x 3/4" Carriage Bolt
378	422-29-072-0004	Adapter Plate
379	34-876	Table (Optional Accessory)
380	422-27-089-0007	Angle Bracket
381	901-06-223-1380	#14 x 3/4" Slot Hex, Washer Face, Type AB Scr.
382	902-01-120-1034	1/4-20 Hex Nut
383	904-01-010-1614	9/32" Washer
384	422-27-089-0006	Table Support
385	901-01-060-0612	1/4-20 x 5/8" Hex Hd. Cap Scr.
386	904-01-010-1614	9/32" Washer
387	901-06-223-1380	#14 x 3/4" Slot Hex, Washer Face, Type AB Scr.
388	422-27-066-0001	Leg, Incl:
389	422-27-412-0001	Foot
390	422-27-055-0003	Front Guide Rail, Incl:
391	400-06-432-0001	Scale
392	902-01-010-5900	3/8-16 Hex Nut
393	904-01-010-1615	13/32" Washer
394	422-27-111-0003	Stud
395	902-01-010-1207	3/8-24 Hex Nut
396	902-01-010-1300	5/16-18 Hex Nut
397	422-27-048-0001	Foot-Rear Support
398	422-27-068-0003	Locking Lug
399	905-01-010-2702	1/4 x 5/8" Roll Pin
400	904-01-010-1620	11/32" Washer
401	424-12-060-0003	Knob
402	901-02-050-5634	#6-32 x 1/2" Fillister Hd. Scr.
403	904-01-043-1370	#6 Washer, Type B
404	400-06-375-0001	Cursor
405	400-06-312-0001	Fence Body Assy, Incl:
406	422-27-137-0002	Nameplate
407	901-06-450-2250	#4 x 3/16" Drive Screw
408	422-27-112-0004	Nylon Screw
409	422-27-112-0003	Slide Adjusting Screw
410	400-06-384-0002	Adjusting Slide Assy, Incl:
411	422-27-084-0006	Nylon Slide
412	422-27-079-0001	Retainer
413	422-27-112-0002	Spring Plunger
414	422-27-104-0002	Thrust Washer
415	422-27-106-0003	Control Shaft
416	905-01-103-1370	Coiled Spring Pin
417	422-27-019-0002	Cam
418	1087659	Handle
419	1087658	5/16 x 2-1/2" Rd. Hd. Scr.
420	400-06-327-0001	Clamp Assembly
421	34-894	43" Fence
423	955-03-010-0006	Allen Wrench

\* NOT SHOWN ASSEMBLED

1577G