

Reciprocating saw - 0 601 64F 063 - RS 20

www.powertools-aftersaleservice.com

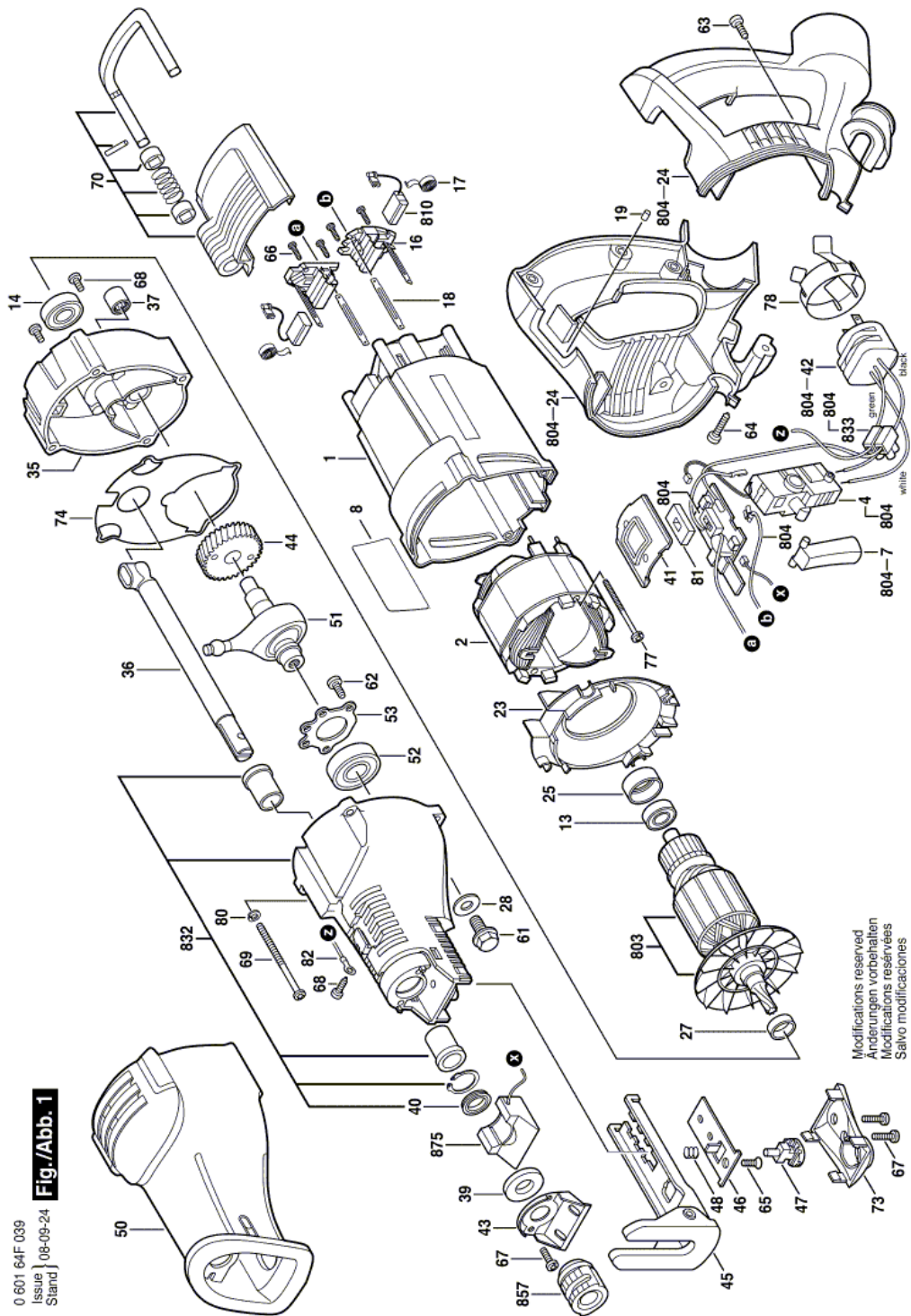


BOSCH

Item	Part Number	Description	Illustration	Price	Quantity	Price Group
1	2 610 918 050	Motor Housing	1	-,-	1	29
2	1 604 220 368	Field 120V	1	-,-	1	33
4	2 610 917 224	On-Off Switch	1	-,-	1	-
7	2 610 919 120	Trigger	1	-,-	1	-
8	1 619 P01 408	Nameplate	1	-,-	1	-
13	1 619 P01 511	Ball Bearing	1	-,-	1	19
14	1 900 905 161	groove ball bearing 12x28x8	1	-,-	1	31
16	2 610 913 034	Brush Holder	1	-,-	2	13
17	3 604 652 500	Spiral Spring	1	-,-	2	10
18	1 604 477 005	Blade terminal	1	-,-	2	11
19	2 610 350 103	Pin	1	-,-	1	11
23	2 610 919 119	Baffle	1	-,-	1	14
24	2 610 927 705	Auxiliary Handle	1	-,-	1	-
25	3 600 206 501	Rubber Bushing	1	-,-	1	14
27	2 610 918 033	Spacer	1	-,-	1	12
28	2 610 908 804	Protective Washer	1	-,-	1	13
35	2 610 918 048	Bearing Plate	1	-,-	1	28
36	2 610 917 060	Spindle Assembly	1	-,-	1	37
37	2 610 908 698	Bearing Shell	1	-,-	1	20
39	2 610 030 004	Felt Washer SP 14,0	1	-,-	1	12
40	2 610 995 815	Shaft Seal	1	-,-	1	22
41	2 610 918 037	Slide Button	1	-,-	1	-
42	2 610 924 026	Receptacle	1	-,-	1	-
43	2 610 918 054	Sealing Plate	1	-,-	1	-
44	2 610 908 802	Toothed Gear	1	-,-	1	26
45	2 610 923 226	Supporting foot	1	-,-	1	32
46	2 610 922 844	Retaining Plate	1	-,-	1	11
47	2 610 922 567	Locking Piece	1	-,-	1	17
48	2 610 918 060	Compression Spring	1	-,-	1	10
50	2 610 918 061	Insulating Sleeve	1	-,-	1	30
51	2 610 918 074	Wobble Plate	1	-,-	1	-
52	2 610 015 361	groove ball bearing	1	-,-	1	28
53	1 619 P01 308	Retaining Plate	1	-,-	1	12

Item	Part Number	Description	Illustration	Price	Quantity	Price Group
61	2 610 918 051	Trunnion	1	-,-	1	11
62	1 619 P01 447	Screw	1	-,-	5	10
63	1 619 P01 505	Screw	1	-,-	4	10
64	1 619 X00 504	Screw	1	-,-	5	10
65	2 610 918 063	Screw	1	-,-	1	10
66	2 610 909 719	Screw BLACK	1	-,-	4	11
67	1 619 P01 491	Screw	1	-,-	3	10
68	2 610 907 504	Screw	1	-,-	3	12
69	2 610 918 049	Screw	1	-,-	4	10
70	2 610 918 077	Assembly Hook	1	-,-	1	29
73	2 610 919 447	Support Plate	1	-,-	1	12
74	2 610 918 038	Sealing Plate	1	-,-	1	13
77	1 619 P01 508	Screw	1	-,-	2	10
78	2 610 921 156	Set ring	1	-,-	1	-
80	2 916 683 006	Spring Lock Washer DIN 127-B 5	1	-,-	4	12
81	2 610 923 943	Sealing Block	1	-,-	1	-
82	2 610 925 903	Ground Lead	1	-,-	1	-
803	2 610 920 759	Armature 115V	1	-,-	1	47
804	2 610 954 607	Handle	1	-,-	1	42
810	2 610 920 682	Carbon-Brush Set	1	-,-	1	23
832	2 610 920 683	Gear Housing	1	-,-	1	38
833	2 610 910 009	Connection Block	1	-,-	1	12
857	2 610 920 684	Toolholder	1	-,-	1	34
875	2 610 924 263	Light Unit	1	-,-	1	-

Illustration - Type E



0 601 64F 039
 Issue | 08-09-24
 Stand | **Fig./Abb. 1**

Information subject to change without further notice.