

PARTS LIST FOR RIDGID 10" RADIAL SAW MODEL NUMBER RS10000

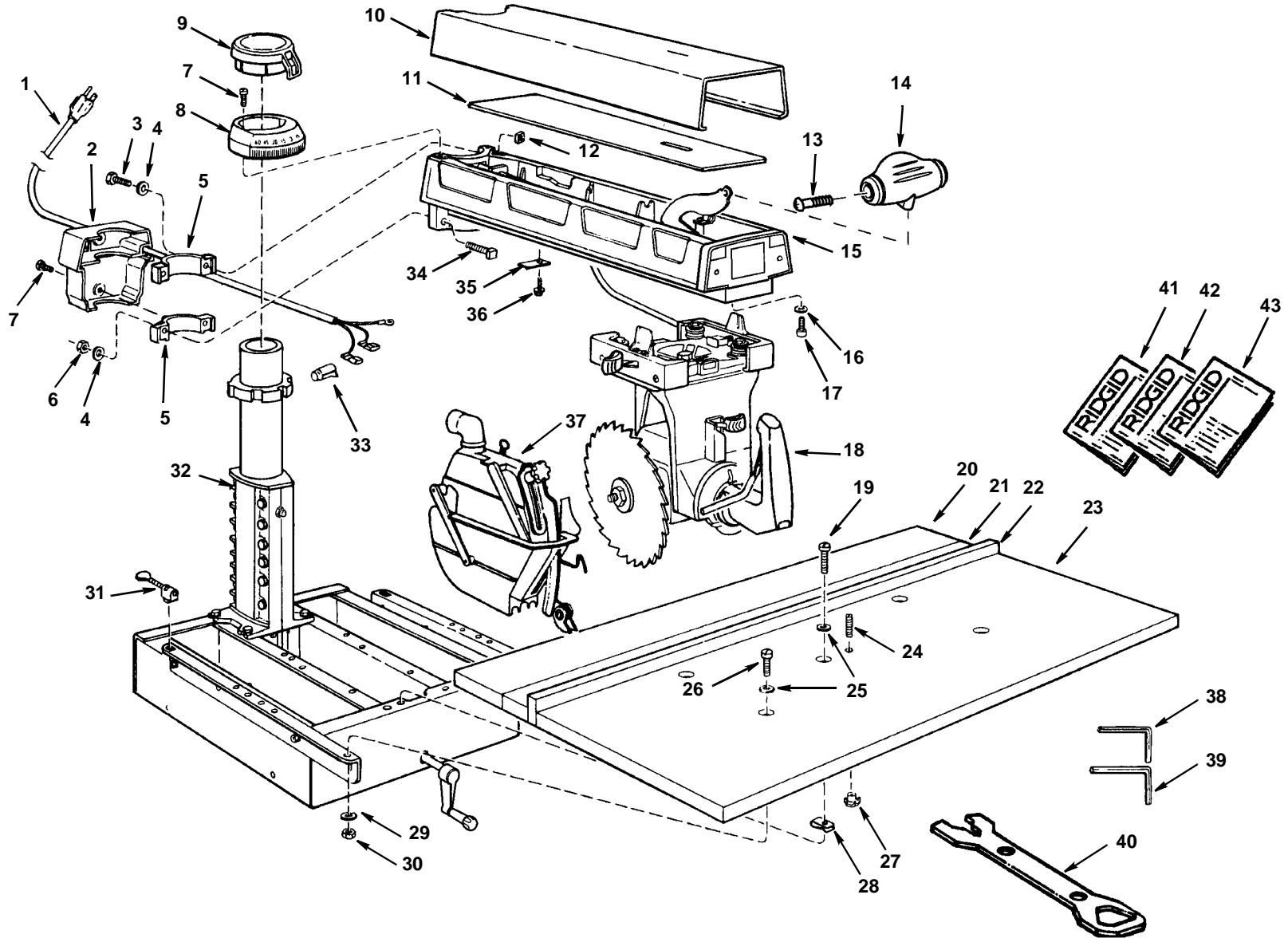


Figure 1

**PARTS LIST FOR RIDGID 10" RADIAL SAW
MODEL NUMBER RS10000**

Always order by Part Number - Not by Key Number

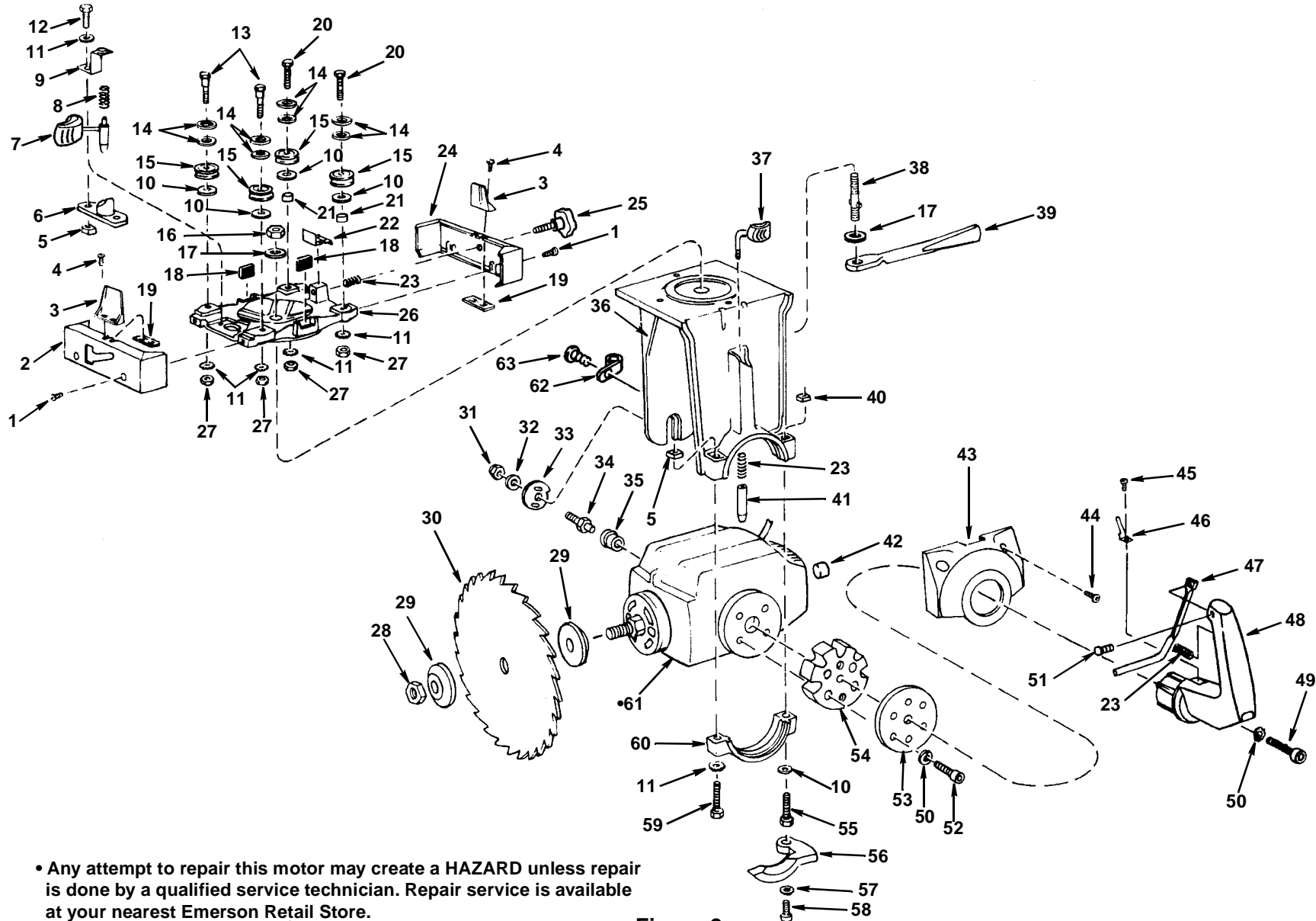
Figure 1

Key No	Part No.	Description
1	804423-1	Cord, with Plug
2	75090	Cover, Rear Arm
3	60342	Bolt Square Head 3/8-16 x 2-1/4 High Strength
4	60353	Washer, .380 x 47/64 x 1/8
5	815649	Bearing, Arm
6	60249	Nut, Lock 3/8-16
7	13848	Screw, Pan Rec. Hd 10-32 Ty T x 1/2
8	827922	Scale, Miter
9	827923	Indicator, Miter
10	827905	Trim Arm
11	63686	Pad, Trim
12	805494	Nut, Square 3/8-16
13	60391	Screw, Pan Rec. Ty AB 10 x 3/4
14	827924	Knob, Lever Arm
15	—	Arm Assembly, See Fig. 5
16	131201	Lockwasher, 5/16
17	9421620	Screw, Soc. Hd Cap 5/16-18 x 1/2
18	—	Yoke Assembly, See Fig. 2
19	809491-6	Screw, Pan Hd 1/4-20 x 1-3/4
20	822079	Table, Rear
21	822080	Table, Spacer

Key No.	Part No.	Description
22	63432	Fence, Rip
23	822078	Table, Front
24	141667-33	Screw, Set SL. Cup 1/4-20 x 1
25	805552-7	Washer, 17/64 x 5/8 x 1/32
26	809491-1	Screw, Pan Hd 1/4-20 x 1
27	145544	Nut, Tee
28	37530	Nut, "U" Clip
29	115109	Lockwasher, 1/4
30	115120	Nut, Hex 1/4-20
31	826284	Clamp Assembly
32	—	Base Assembly, See Fig. 3
33	63467	Cap, Flag Terminal
34	60339	Bolt, Sq. Hd 3/8-16 x 2-1/4 Gr 5
35	63881	Clamp, Cord
36	9420417	Screw, Type "T" Hex Washer Hd 1/4-20 x 5/8
37	827950	Guard Assembly, See Fig. 4
38	63683	Wrench, Hex "U" 3/16
39	63682	Wrench, Hex "U" 1/4
40	822384-1	Wrench
41	SP6263	Owners Manual - English
42	SP6263S	Owners Manual - Spanish
43	SP6263F	Owners Manual - French

* Standard Hardware Item - May Be Purchased Locally

PARTS LIST FOR RIDGID 10" RADIAL SAW MODEL NUMBER RS10000



• Any attempt to repair this motor may create a HAZARD unless repair is done by a qualified service technician. Repair service is available at your nearest Emerson Retail Store.

Figure 2

**PARTS LIST FOR RIDGID 10" RADIAL SAW
MODEL NUMBER RS10000**

Always order by Part Number - Not by Key Number

Figure 2 - Yoke Assembly

Key No.	Part No.	Description
1	13848	* Screw, Type "T" Pan Rec. Hd10-32 x 1/2
2	827884	Cover, L.H. Carriage
3	827880	Indicator, Rip
4	809813-1	* Screw, Pan Rec. Hd 6-32 x 1/2
5	120399	Nut, Square 5/16-18
6	63657	Housing, Index Pin
7	827903	Pin Assembly, Index
8	63658	Spring, Index
9	63656	Bracket, Spring
10	60040	* Washer, 21/64 x 3/4 x 1/16
11	131201	* Lockwasher, 5/16, Ext. Tooth
12	805467-4	* Screw, Hex Hd 5/16-18 x 3/4
13	815807-1	Screw, Eccentric
14	63782	Washer Assembly, Carriage Bearing
15	819039	Bearing, Carriage
16	161255-7	* Nut, Lock 5/8-11
17	37816	* Washer, .630 x 1. 125 x .093
18	30567	Bumper
19	30530	Nut, Speed
20	60336	Bolt, Hex Hd 5/16-18 x 1-1/2 High Strength
21	63779	Bearing, Sleeve
22	63528	Shoe, Rip Lock
23	30521	Spring, Swivel Latch
24	827885	Cover, R.H. Carriage
25	827904	Knob, Carriage Lock
26	63641	Carriage
27	805482	* Nut Hex Jam 5/16-18
28	128880	Nut, Shaft
29	804667-1	Collar Blade
30	826184	Blade, Saw
31	60249	* Nut, Lock 3/8-16
32	60039	* Washer, .380 x 47/64 x 1/16

Key No.	Part No.	Description
33	63652	Cam, Motor
34	63651	Stud, Motor
35	63469	Bushing, Rubber
36	821356-1	Yoke
37	827901	Knob, Bevel Index
38	63643	Stud, Yoke Clamp
39	805874-1	Handle, Yoke Lock
40	822180	Nut, Square L.H. 5/16-18
41	63645	Pin, Index
42	129530	Cap, Shaft
43	63620	Trim, Yoke
44	60337	* Screw, Type "T" Pan Rec. Hd 10-32 x 7/8
45	809492	* Screw, Type "T" Pan Rec. Hd 8/32 x 5/16
46	806179-1	Indicator, Bevel
47	821354	Trigger
48	821342	Handle, Yoke
49	9421628	Screw, Soc. Cap 5/16-18 x 2
50	131201	* Lockwasher, 5/16
51	60288	Screw, Locking Set 1/4 - 20 x 3/8
52	9421626	Screw, Soc. Cap 5/16-18 x 1-1/2
53	805802	Plate, Retainer
54	63649	Ring, Index
55	60335	Screw, Hex Hd L.H. 5/16-18 x 2
56	63647	Lever, Bevel Lock
57	114603	* Lockwasher, Ext. Tooth No. 10
58	806214	Screw, Hex Soc. Button Hd Cap 10-32 x 5/8
59	451188	* Screw, Hex Hd 5/16-18 x 2
60	810362-1	Cap, Yoke
61	828484	Motor
62	810659	Clamp, Cord
63	809492-2	Screw, Pan TY "T" 8-32 x 1/2

* Standard Hardware Item - May be purchased locally

† Stock Item - May be secured through the hardware departments of many retail stores

• Any attempt to repair this motor may create a HAZARD unless repair is done by a qualified service technician. Contact your nearest Service Center.

PARTS LIST FOR RIDGID 10" RADIAL SAW
MODEL NUMBER RS10000

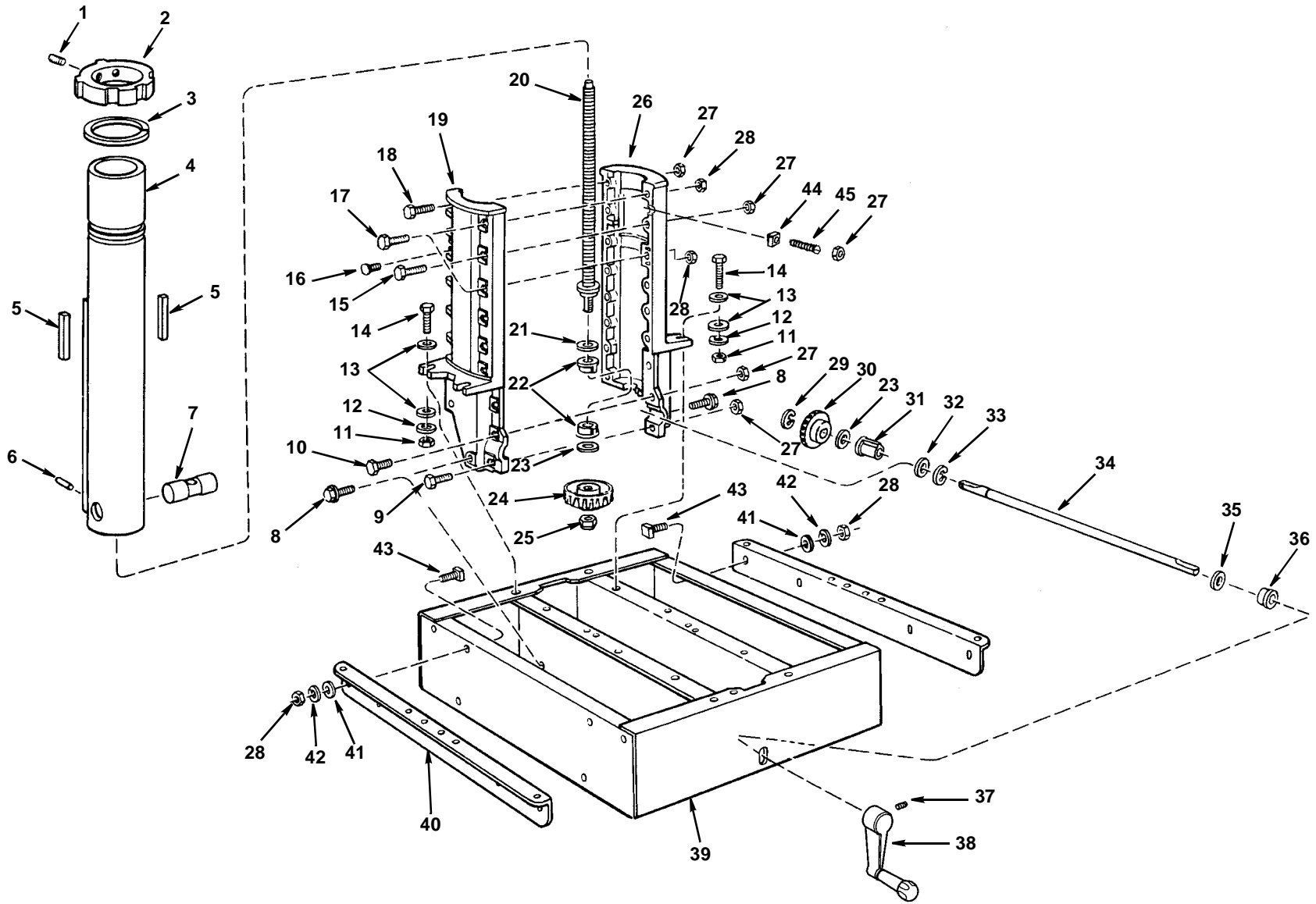


Figure 3

**PARTS LIST FOR RIDGID 10" RADIAL SAW
MODEL NUMBER RS10000**

Always order by Part Number - Not by Key Number

Figure 3 - Base Assembly

Key No.	Part No.	Description
1	102593	* Screw, Soc. Set 3/8-16 x 1/2
2	63623	Latch, Arm
3	60330	Ring, Retaining 3"
4	805793	Tube Column
5	63610	Gib, Column Tube
6	456299	* Pin, Roll 1/4 x 1
7	821346	Nut, Elevation
8	9416187	* Screw, Type "T" Hex Washer Hd. 5/16-18 x 3/4
9	805467-6	* Screw, Hex Hd. 5/16-18 x 1
10	60078	* Screw, Hex Hd. 5/16-18 x 1/2
11	118615	* Nut, Hex 3/8-16
12	187077	* Lockwasher, 3/8
13	60340	* Washer, .380 x 7/8 x 1/8
14	9415743	* Screw, Hex Hd. 3/8-16 x 1-1/4
15	186648	* Screw, Hex Hd. 5/16-18 x 1-7/8
16	817398-1	Screw, Locking Cap 1/4-20 x 5/8
17	60367	Bolt, Hex Hd. 5/16-18 x 1-7/8 High Strength
18	60336	Bolt, Hex Hd. 5/16-18 x 1-1/2 High Strength
19	828581	Support, L.H.
20	828329	Shaft, Elevating
21	63500	Washer, Thrust .502 x .927 x .031
22	63614	Bearing
23	60300	Washer, 1/2 x 7/8 x .010 (as required)

Key No.	Part No.	Description
24	828332	Gear, Bevel
25	805839-1	* Nut, Lock 1/2-13
26	828580	Support, R.H.
27	805482	* Nut, Hex 5/16-18
28	802352	* Nut, Lock 5/16-18
29	805642	* Ring, Retaining 1/2
30	828333	Gear, Pinion
31	63617	Bearing, Elevating Shaft
32	60080	* Washer, .515 x .875 x .032
33	805641-4	* Ring, Retaining 1/2
34	828331	Shaft, Elevating Crank
35	30442	Ring Retaining
36	63435	Bushing
37	102570	* Screw, Soc. Set 1/4-20 x 3/8
38	827918	Crank, Elevating
39	828233	Base Asm.
40	818199	Channel, Table Mounting
41	805553-24	* Washer, 11/32 x 7/8 x 1/16
42	131201	* Lockwasher, 5/16
43	109163	* Bolt, Square Hd 5/16-18 x 3/4
44	120399	Nut Sq. 5/16-18
45	828819	Screw Set Oval 5/16-18 x 1-1/4

* Standard Hardware Item - May Be Purchased Locally

**PARTS LIST FOR RIDGID 10" RADIAL SAW
MODEL NUMBER RS10000**

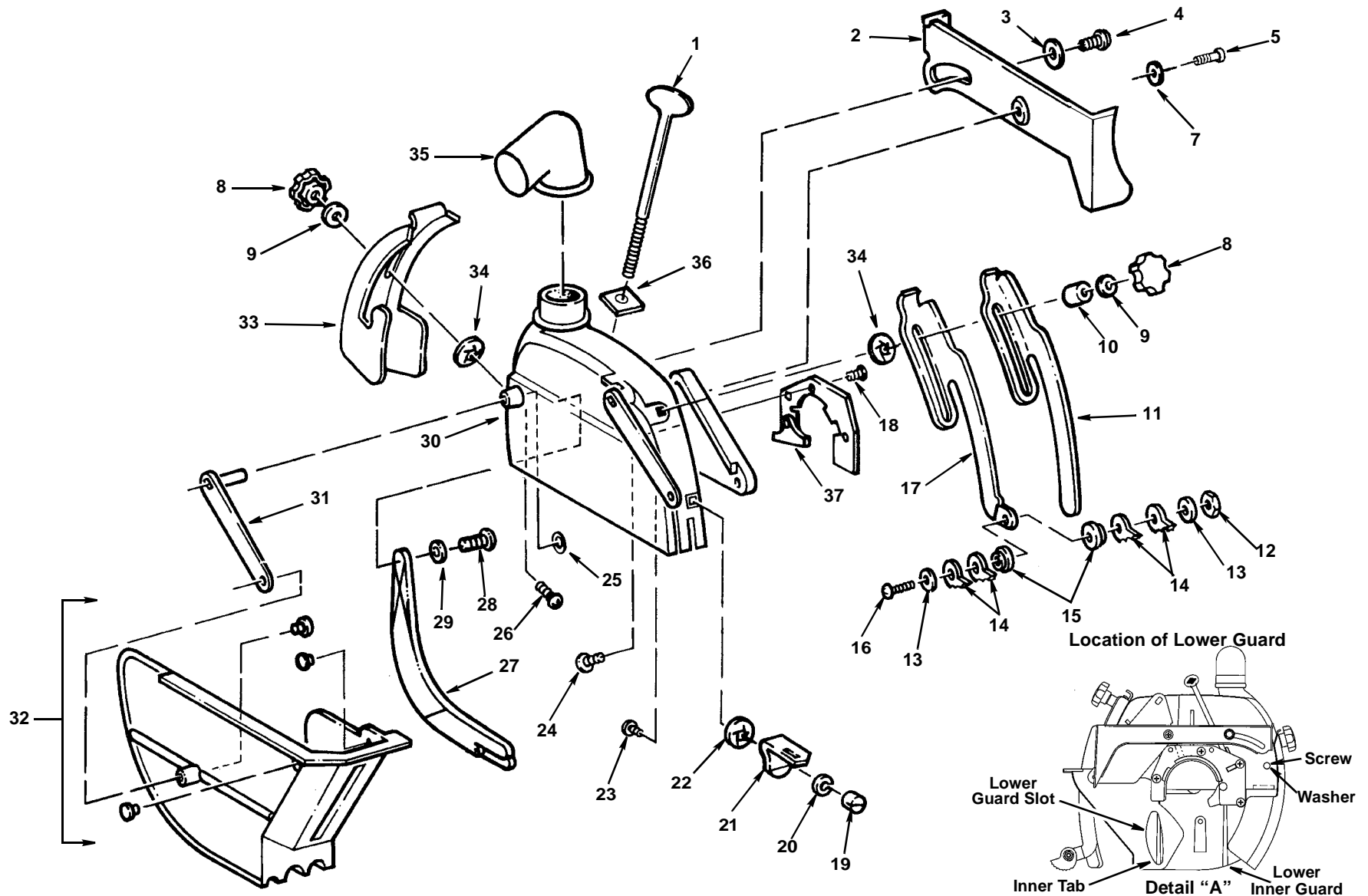


Figure 4

**PARTS LIST FOR RIDGID 10" RADIAL SAW
MODEL NUMBER RS10000**

Always order by Part Number - Not by Key Number

Figure 4 - Guard

Key No	Part No.	Description
1	821217	Screw, Guard Clamp
2	827948	Link, Pull
3	805552	* Washer, 17/64 x 5/8 x 1/16
4	815865	Screw, Hex Washer Hd Type "TT" 1/4 - 20 x 1/2
5	828695	* Screw, Pan Shoulder Type "TT" 10-32
6		Spacer #10 x .125
7	808447-6	Washer, Spring
8	827919	Knob, 5/16-18
9	274865	* Washer 21/64 x 5/8 x 1/16
10	820521	Spacer
11	820515	Knife, Riving
12	161255-6	* Nut, Lock 1/4-20
13	805552	* Washer 17/64 x 5/8 x 1/16
14	815815	Pawl, AKB
15	820517	Bushing
16	809491-1	* Screw, Pan Hd. 1/4-20 x 1
17	820512	Holder, AKB
18	824159	Screw, Flat Hd Type "TT" 1/4 - 20 x 9/16

Key No.	Part No.	Description
19	820519	Nut, Slotted 1/4 - 20
20	114604	* Lockwasher 1/4
21	820530	Support, Knife
22	808822-1	Nut, Push 1/4
23	820532	Bolt
24	809019-4	Bolt, Rd Hd Short Neck 5/16 - 18 x 1-3/4
25	820632-3	* Ring, Retaining
26	809019-5	* Bolt, R.H. Short Neck 5/16 - 18 x 5/8
27	820985	Lower, Inner Guard
28	808380	Screw Plastite #8-16 x 1/2
29	805548-10	Washer 3/16
30	824161-1	Guard
31	820524-1	Link
32	820531	Guard, Lower
33	821218-1	Hold Down
34	60413	Nut, Push 5/16
35	828139	Elbow, Dust
36	821449	Nut, Square 5/16 - 18 Double
37	827916	Strap-Retainer

* Standard Hardware Item - May Be Purchased Locally

Repair Parts

PARTS LIST FOR RIDGID 10" RADIAL SAW MODEL NUMBER RS10000

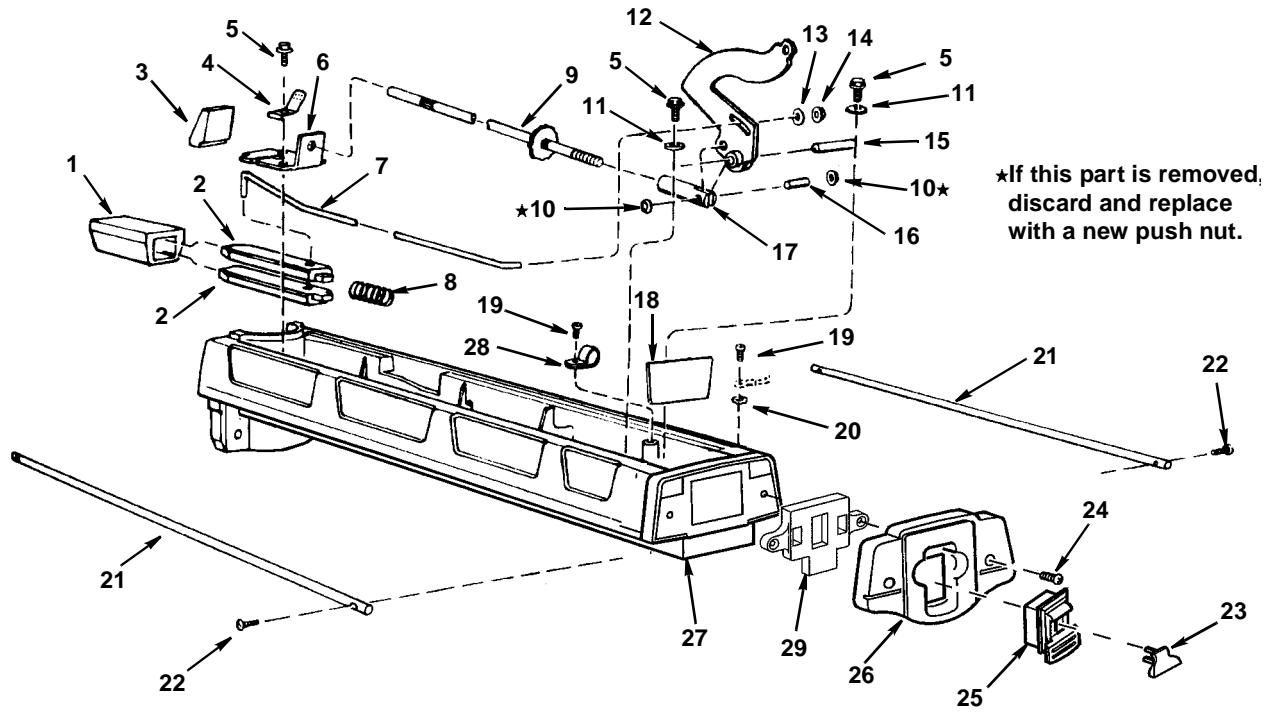


Figure 5 - Arm Assembly
Always order by Part Number - Not by Key Number

Key No.	Part No.	Description	Key No.	Part No.	Description
1	63626	Housing, Pin	17	63636	Pin, Clevis
2	63629	Pin, Arm Lock	18	63773	Insulation
3	63631	Pawl, Arm Lock	19	13848	* Screw, Type 'T' Pan Hd 10-32 x 1/2
4	63628	Spring, Tension	20	114603	* Lockwasher, Ext. Tooth N10
5	9420417	* Screw, Type "T" Hex Washer Hd 1/4-20 x 5/8	21	805840	Track
6	63883	Guide	22	448337	Screw, Type 'T' Rd. Hd 10-32 x 5/8
7	63632	Rod, Index	23	826122	Key Switch
8	63630	Spring, Arm Lock	24	60337	* Screw, Type 'T' Pan Hd 10-32 x 7/8
9	805814	Rod, Arm Lock	25	826123	Switch, Locking (Includes Key No. 23)
10	802612-8	* Nut, Push 3/8	26	827882	Cap, Arm
11	60332	* Washer, 21/64 x 1 x 1/8	27	827637	Arm, Radial
12	827881	Lever, Arm Lock	28	810659	Clamp, Cord
13	805552-7	* Washer, 17/64 x 5/8 x 1/32	29	827883	Retainer Switch
14	802612-6	* Nut, Push 1/4			
15	63638	Pin, Lever			
16	63637	Pin			

* Standard Hardware Item - May Be Purchased Locally

PARTS LIST FOR RIDGID 10" RADIAL SAW MODEL NUMBER RS10000

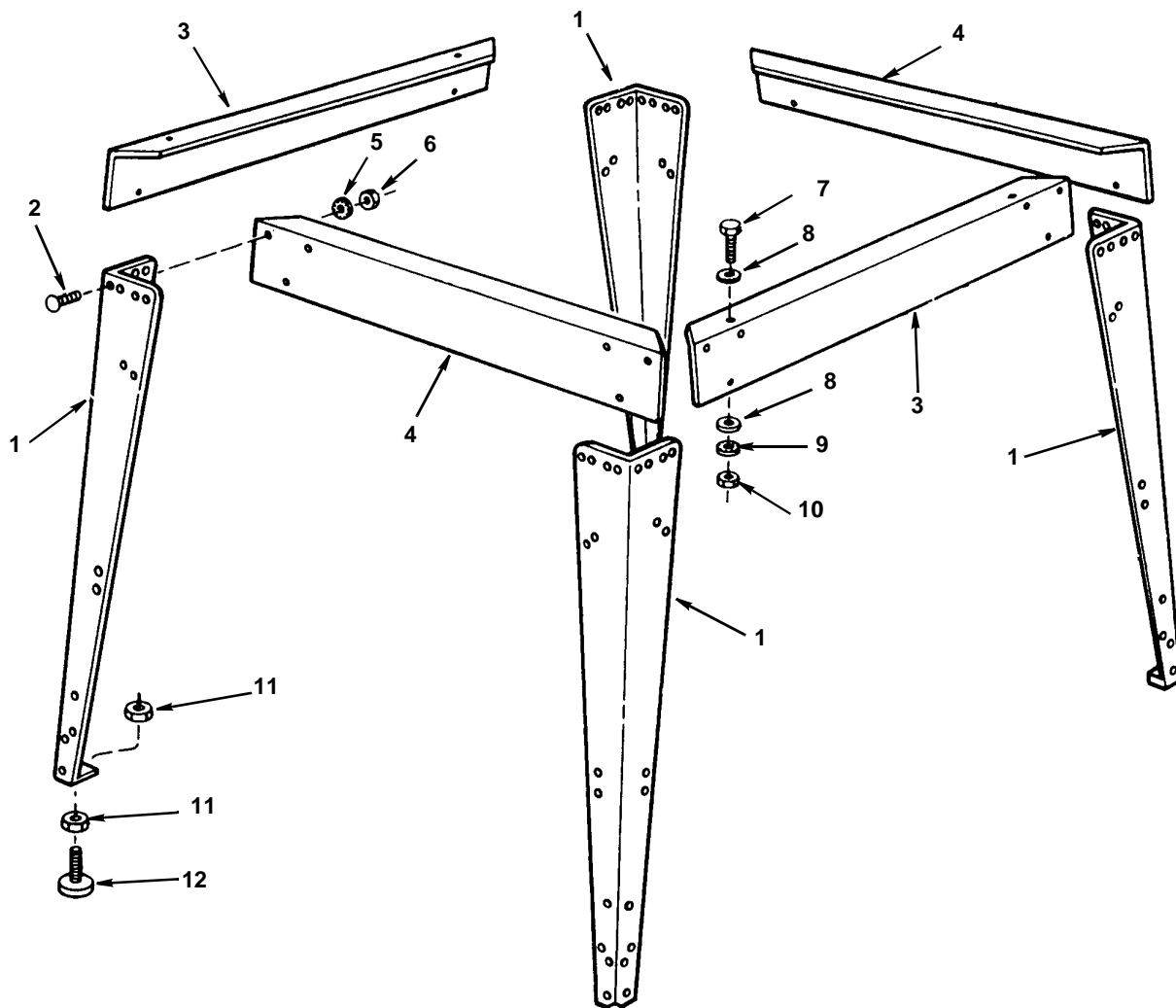


Figure 6 - Leg Set

Always order by Part Number - Not by Key Number

Key No.	Part No.	Description	Key No.	Part No.	Description
1	821343-1	Leg	8	118774	* Washer, 11 /32 x 11 /16 x 1/16
2	805589-5	Screw, Truss Hd. 1/4-20 X 1/2	9	131201	* Lockwasher, External 5/16
3	821779-1	Stiffener, Side	10	805482	* Nut, Hex Jam 5/16-18
4	821780-1	Stiffener, Front/Rear	11	118645	* Nut, Hex 3/8-16
5	114604	* Lockwasher, External 1/4	12	803835-3	Foot, Leveling
6	115120	* Nut, Hex 1/4-20			
7	805467-3	Screw, Hex Hd 5/16-18 x 5/8			

* Standard Hardware Item - May Be Purchased Locally