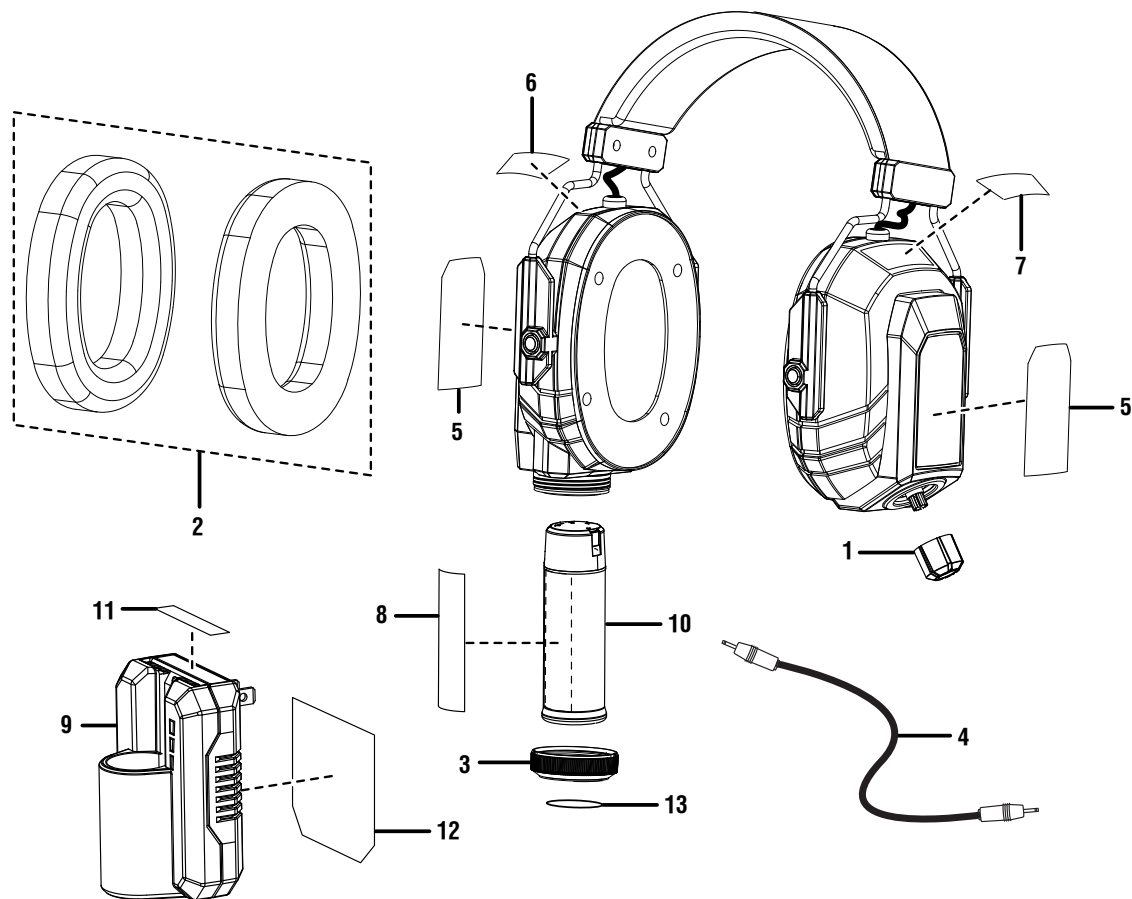


RYOBI 4 VOLT NOISE SUPPRESSION HEADPHONES – MODEL NO. RP4530

The model number will be found on the headphones. Always mention the model number in all correspondence regarding your **NOISE SUPPRESSION HEADPHONES** or when ordering replacement parts.



| KEY NO. | PART NUMBER | DESCRIPTION | QTY. |
|---------|--------------|--|------|
| 1 | 019607001004 | Knob..... | 1 |
| 2 | 019607001012 | Ear Pad Assembly..... | 1 |
| 3 | 019607001031 | Battery Cap w/Gasket Assembly..... | 1 |
| 4 | 019607001026 | Auxiliary Cable (4 ft.)..... | 1 |
| 5 | 019607001027 | Logo Label..... | 2 |
| 6 | 019607001028 | Data Label..... | 1 |
| 7 | 019607001029 | Warning Label..... | 1 |
| 8 | 940976620 | Battery Label..... | 1 |
| 9 | 140129002 | 4 V Charger..... | 1 |
| 10 | 130166003 | Battery Pack (4 V Li-Ion, AP4001)..... | 1 |

| KEY NO. | PART NUMBER | DESCRIPTION | QTY. |
|-------------------|---------------------|---------------------------------|------|
| 11 | 940221025 | Warning Label..... | 1 |
| 12 | 940976383 | Data Label..... | 1 |
| 13 | 019607001030 | Icon Label..... | 1 |
| NOT SHOWN: | | | |
| | 987000706 | Operator's Manual (AP4001)..... | 1 |
| | 987000654 | Operator's Manual (AP4700)..... | 1 |
| | 987000665 | Operator's Manual (RP4530)..... | 1 |
| | 8-07-09 (REV:01) | | |