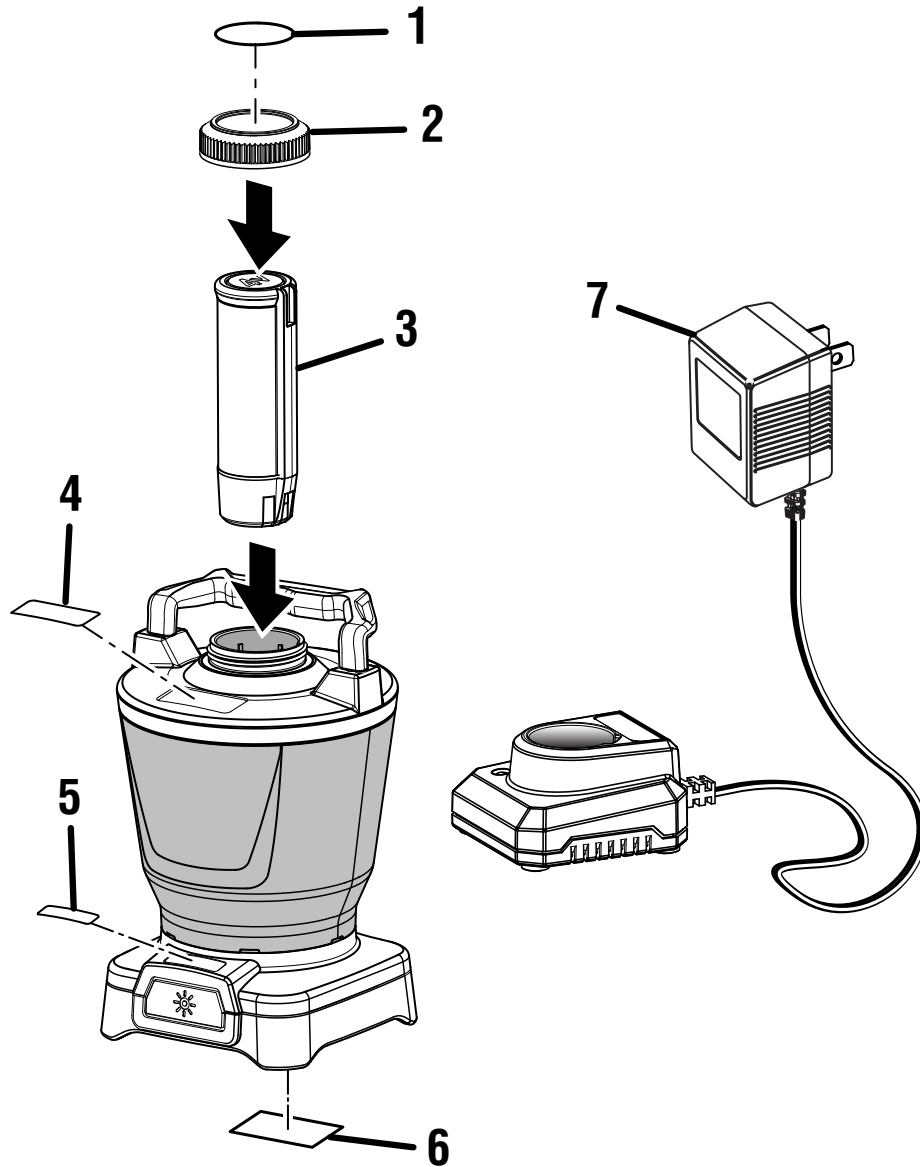


RYOBI 4V BATTERY PACK – MODEL NO. RP4470

The model number will be found on a label attached to the housing. Always mention the model number in all correspondence regarding your **BATTERY PACK** or when ordering replacement parts.



PARTS LIST

KEY PART NO.	PART NUMBER	DESCRIPTION	QT	KEY PART NO.	PART NUMBER	DESCRIPTION	QTY.
1	83-187-R01H000	4V Label.....	1	NOT SHOWN:			
2	67-187-A05H001P	Cap	1	988000287	Operator's Manual (RP4470)	1	
3	130166003	Battery Pack (AP4001).....	1	987000820	Operator's Manual (AP4800)	1	
4	83-187-C00R000	Logo Label	1	987000706	Operator's Manual (RP4001)	1	
5	83-187-C01H000	TEK4 Label	1				
6	83-187-C02H000	Data Label.....	1				
7	140132001	Charger	1				

10-25-10
(REV:01)