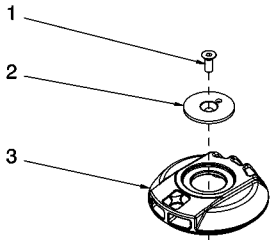
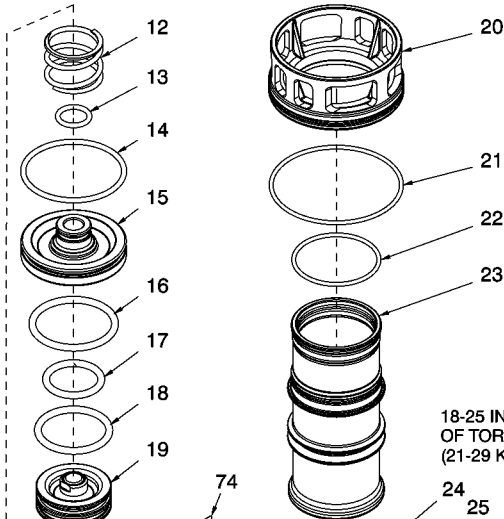
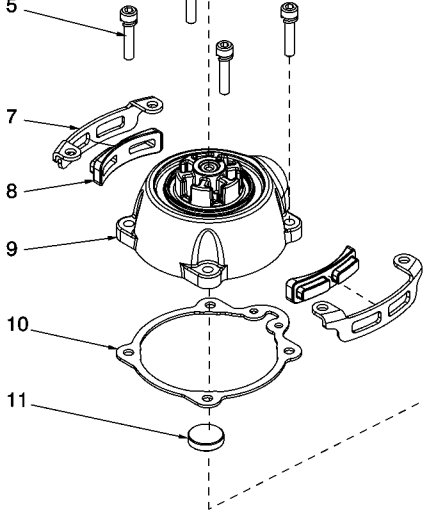


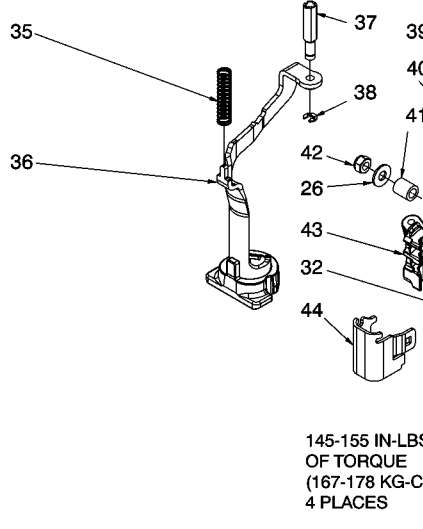
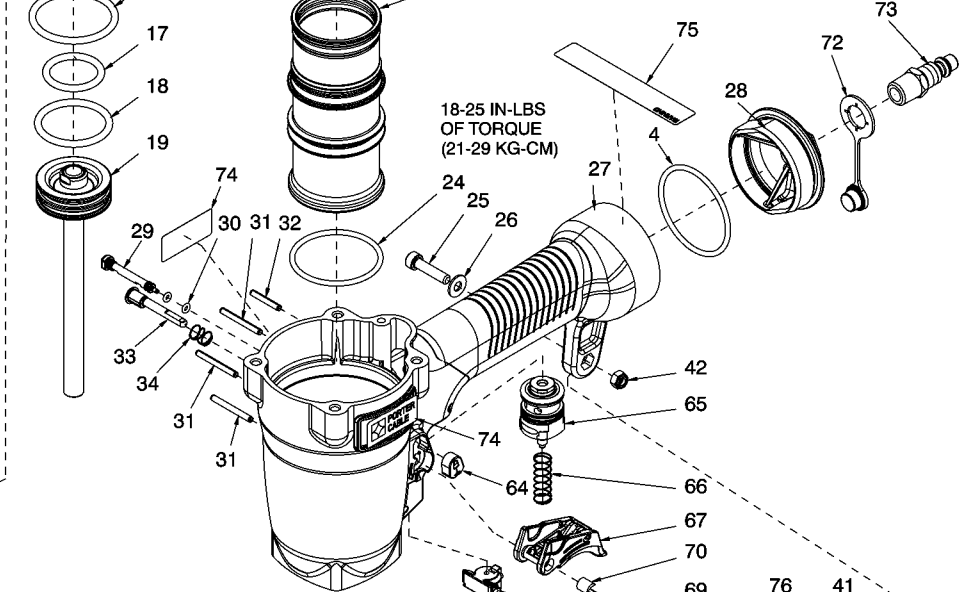
24-26 IN-LBS
OF TORQUE
(28-31 KG-CM)



79-89 IN-LBS
OF TORQUE
(92-103 KG-CM)
4 PLACES

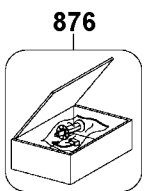
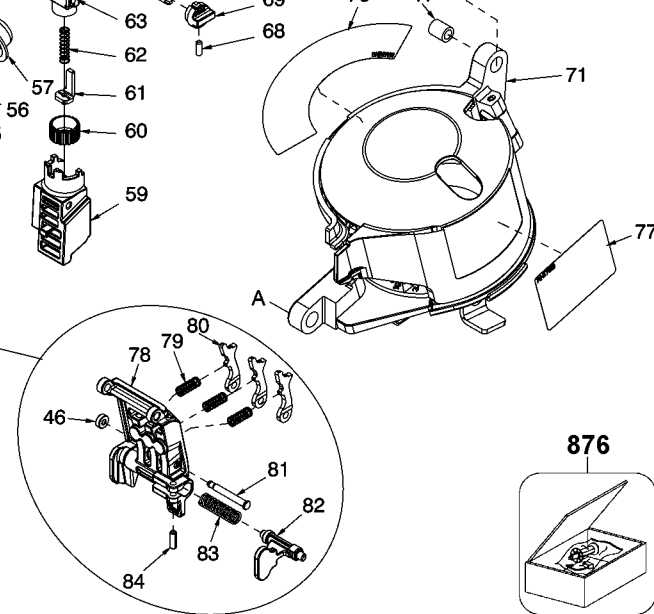


18-25 IN-LBS
OF TORQUE
(21-29 KG-CM)



145-155 IN-LBS
OF TORQUE
(167-178 KG-CM)
4 PLACES

18-25 IN-LBS
OF TORQUE
(21-29 KG-CM)



Parts List for RN175B Type 0

Item Number	Part Number	Description	Qty Required
1	174041	SCREW-SFHCS-M4X0.7X1	1
2	174042	SPACER-EXHAUST COVER	1
3	9R195034	EXHAUST COVER	1
4	850242	O-RING-1.799X.103	2
5	9R195071	SOCKET HEAD CAP SCRE	4
6	9R195545	SOCKET HEAD CAP SCRE	4
7	9R195062	WEAR PLATE	2
8	9R195063	WEAR GUIDE	2
9	9R195036	FRAME CAP-MACHINING	1
10	9R195064	GASKET	1
11	9R195037	HEAD VALVE SEAL	1
12	180532	SPRING-HEAD VALVE	1
13	9R184442	O-RING	1
14	850605	O-RING-1.925X.103-NB	1
15	9R195623	HEAD VALVE	1
16	9R184444	O-RING	1
17	9R184443	O-RING	1
18	9R195039	O-RING	1
19	9R195041	PISTON DRIVER ASSY.	1
20	9R195044	COLLAR	1
21	9R184446	O-RING	1
22	9R184448	O-RING	1
23	9R195045	CYLINDER SLEEVE	1
24	105816	O-RING-1.674X.103	1
25	MSC5080-22	SCREW-SHCS-M5X0.8X22	1
26	9R184456	FLAT WASHER	2
27	9R195060	FRAME OVERMOLD	1

Parts List for RN175B Type 0

Item Number	Part Number	Description	Qty Required
28	9R195622	END CAP	1
29	184519	PIN-TRIGGER LOCK	1
30	9R195625	O-RING	2
31	174345	PIN SPRING	3
32	180475	PIN-SPRING-M3X20MM	2
33	184507	PIN-MODE SWITCH	1
34	9R188850	MODE SPRING	1
35	9R195051	CONTACT ARM SPRING	1
36	9R195007	CONTACT ARM ASSY.	1
37	9R195027	ADJUSTING SCREW	1
38	9R184457	E-RING	1
39	9R195528	BUMPER	1
40	9R195050	GASKET	1
41	9R195026	BUSHING	2
42	MHE5080-100	NUT-NYLON M5X.80	2
43	9R195005	FEED PAWL	1
44	9R195052	SPRING GUARD	1
45	9R195010	NOSE-MACHINING	1
46	N12112	HINGE PIN RETAINER	4
47	9R195053	DOOR PIVOT PIN	1
48	9R195059	DOOR ASSEMBLY	1
49	MSC5080-20	SCREW-SOC HD. CAP M5	1
50	9R184447	O-RING	1
51	149859	SPRING-FEED PAWL	1
52	9R195011	FEED PISTON	1
53	88998	O-RING	1
54	149887	SPRING-FEED PISTON	1

Parts List for RN175B Type 0

Item Number	Part Number	Description	Qty Required
55	9R195004	FEED PISTON STOP	1
56	9R184453	C-RING	1
57	9R195008	SPRING COLLAR	1
58	149882	PIN-CHECK PAWL	1
59	9R195049	CONTACT ARM GUIDE	1
60	180573	ADJUSTING KNOB	1
61	180510	ASSEMBLY-UPPER CONTA	1
62	180513	SPRING	1
63	180514	GUIDE-UPPER TRIP	1
64	9R195078	BUTTON-TRIGGER LOCK	1
65	TVA15	TRIGGER VALVE	1
66	180476	SPRING-TRIGGER	1
67	9R195082	TRIGGER ASSY.	1
68	180484	SCREW-SET-M3X8MM	1
69	9R195079	BUTTON-MODE SWITCH	1
70	184508	BUSHING	1
71	9R195058	MAGAZINE ASSEMBLY	1
72	184432	COVER	1
73	9R195624	QUICK CONNECT	1
74	9R195634	ID LABEL	2
75	9R195635	WARNING LABEL	1
76	9R195636	WARNING LABEL	1
77	9R195637	NAME PLATE	1
78	9R195055	DOOR-MACHINING	1
79	9R188713	SPRING	3
80	9R195056	CHECK PAWL	3
81	9R195033	CHECK PAWL PIN	1

Parts List for RN175B Type 0

Item Number	Part Number	Description	Qty Required
82	9R195057	DOOR LATCH	1
83	9R191796	DOOR SPRING	1
84	MPG030010	PIN-ROLL-3MM X 10MM	1
876	RN175B-DK	DRIVER ASSEMBLY KIT	1
876	RN175B-OK	OVERHAUL KIT	1