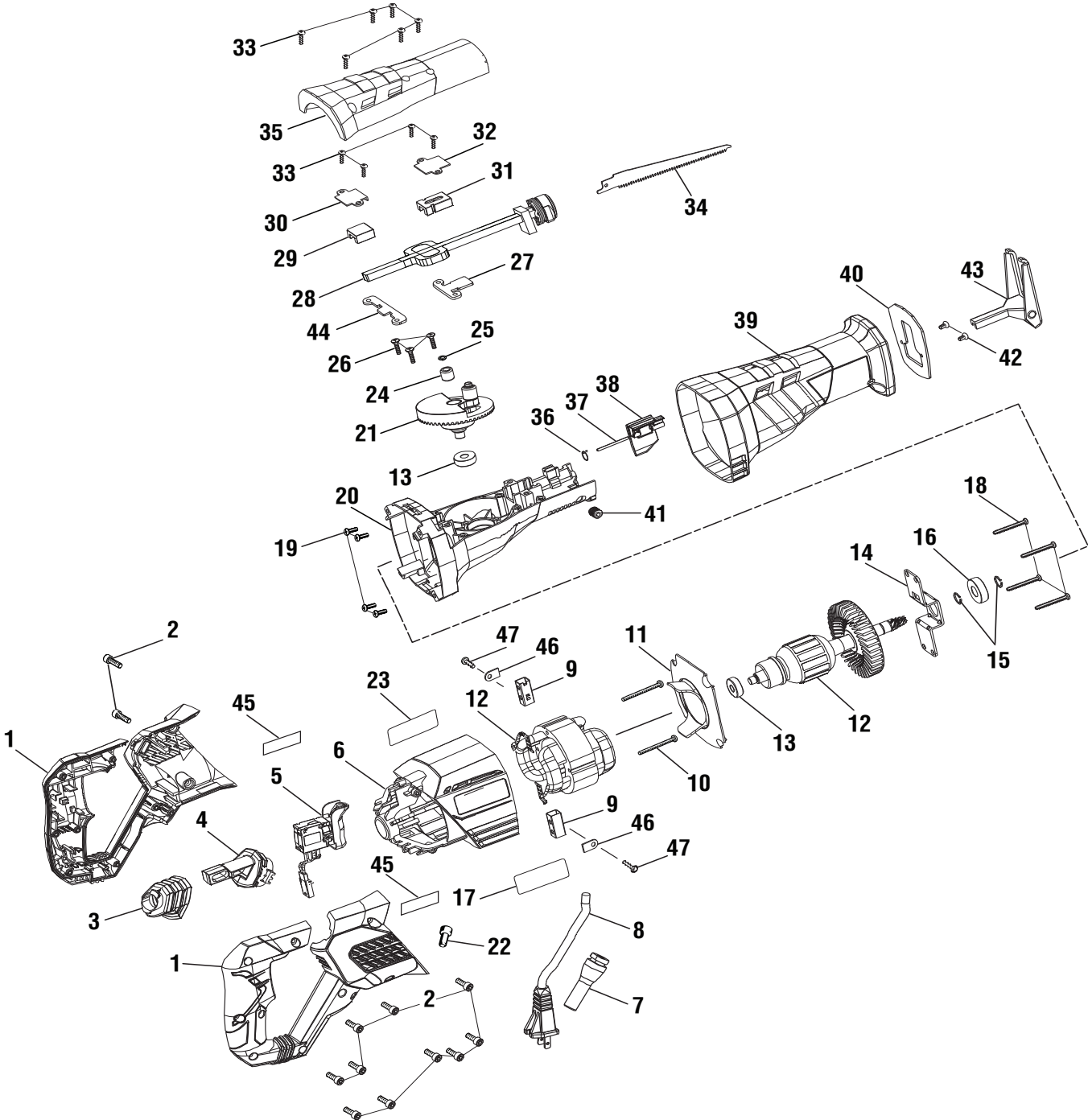


**RYOBI  
VARIABLE SPEED  
RECIPROCATING SAW  
MODEL NO. RJ186V  
REPAIR SHEET**

RYOBI RECIPROCATING SAW – MODEL NUMBER RJ186V



## RYOBI RECIPROCATING SAW – MODEL NUMBER RJ186V

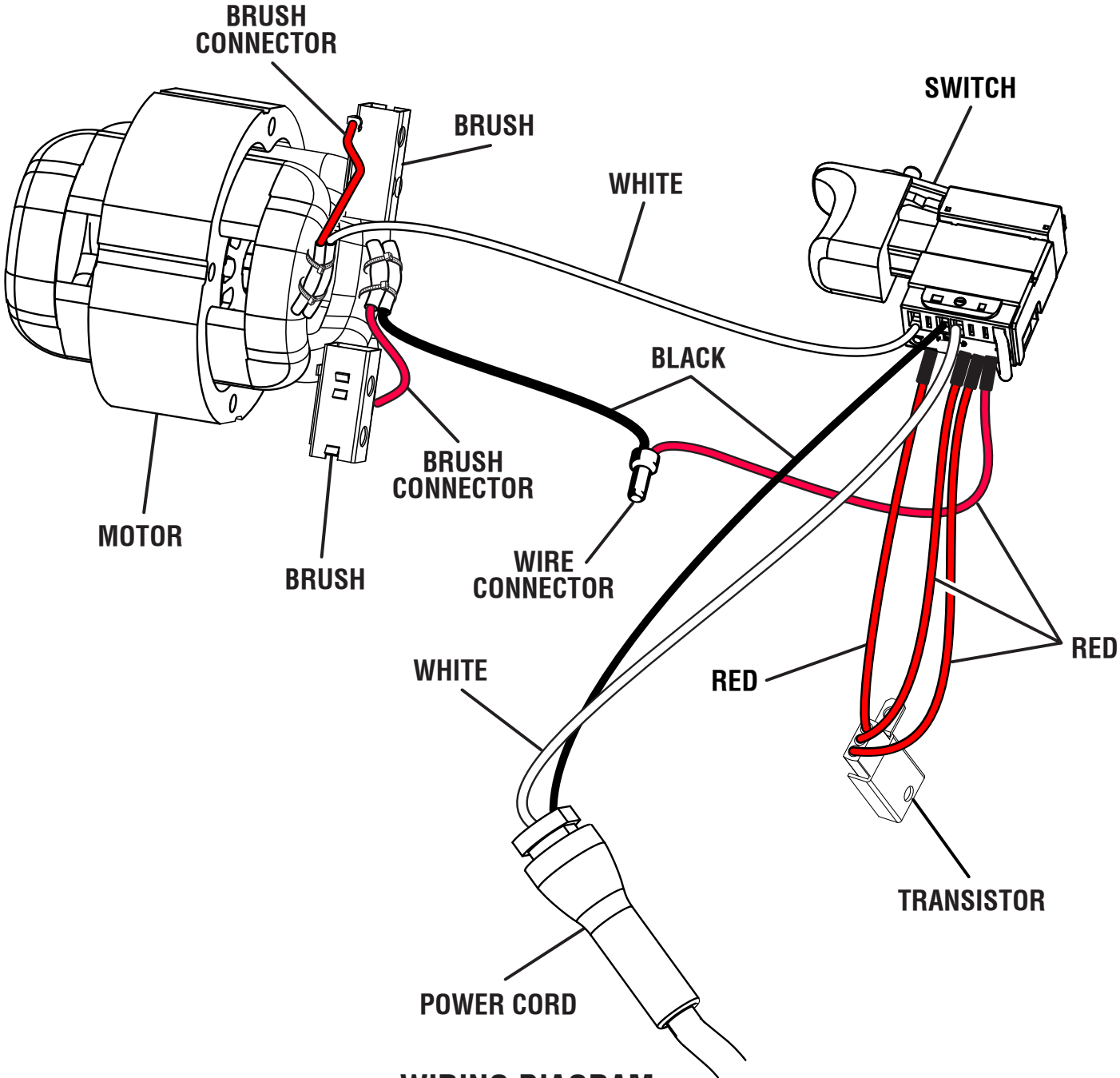
The model number will be found on a label attached to the motor housing. Always mention the model number in all correspondence regarding your **RECIPROCATING SAW** or when ordering repair parts.

### PARTS LIST

KEY NO.	PART NUMBER	DESCRIPTION	QTY	KEY NO.	PART NUMBER	DESCRIPTION	QTY
1	202664002	Handle Assembly .....	1	27	635222001	Front Plate .....	1
2	660024015	Screw (M4 x 14 mm, T20 Torx Hd.).....	12	28	304003006	Output Shaft Assembly .....	1
3	564095001	Rubber Sleeve.....	1	29	6935601	Guide Block (Rear) .....	1
4	523283001	Connecting Rod .....	1	30	6934901	Cover Plate (Rear) .....	1
5	760472006	Switch.....	1	31	610730001	Guide Block (Front).....	1
6	202665002	Motor Housing Assembly (Inc. Key Nos. 17 & 23).....	1	32	6934201	Cover Plate (Front).....	1
7	551060001	Bend Relief.....	1	33	661171001	Screw (M4 x 17 mm, T20 Torx Pan Hd.)... 10	
8	730372041	Power Cord .....	1	34	690291006	Wood Cutting Blade .....	1
9	290075051	Brush Assembly .....	2	35	526259001	Gear Case Cover.....	1
10	661748001	Screw (M4.2 x 44 mm, Pan Hd.) .....	2	36	690502001	Torsion Spring .....	1
11	526258001	Baffle .....	1	37	6951801	Pin .....	1
12	206187003	Motor Assembly (Inc. Key Nos. 13-16).....	1	38	306145001	Release Lever Assembly .....	1
13	680141022	Ball Bearing (608ZZ).....	2	39	563258001	Rubber Boot.....	1
14	634912002	Bearing Cover.....	1		563431001	Rubber Boot.....	1
15	6939601	C-Ring .....	2	40	634971001	Guide Plate.....	1
16	690395005	Ball Bearing (6001ZZ).....	2	41	660170001	Screw (M10 x 10 mm, Hex Soc. Hd.).....	1
17	941121452	Data Label .....	1	42	660165015	Screw (M4 x 10 mm, T20 Torx Pan Hd.).....	2
18	660259008	Screw (M4.5 x 35 mm, Pan Hd.) .....	4	43	300216056	Shoe Assembly.....	1
19	660228012	Screw (M3 x 8 mm, Flat Hd.).....	4	44	635224001	Rear Plate.....	1
20	642155002	Gear Case .....	1	45	902164005	Mica Sheet .....	2
21	202803001	Bevel Gear & Pinion Assembly.....	1	46	630801001	Brush Tube Clamp.....	2
22	790009001	Wire Connector .....	1	47	660140002	Screw (8-16 x 1/2 in., Pan Hd.) .....	2
23	940304497	Logo Label.....	1	<b>Not Shown:</b>			
24	6829601	Needle Bearing.....	1	991000417	Operator's Manual		
25	6770401	Retaining Ring .....	1	11-16-16			
26	661185001	Screw (8-32 x 1/2 in., T15 Torx Flat Hd.).....	3	(Rev:04)			

**⚠ WARNING:** Improper repair of a double insulated tool can result in damage to the double insulation system possibly causing electrical shock or electrocution. Any repairs requiring disassembly of your tool requires safety testing and should only be performed by a Ryobi Authorized Service Center. For the service center nearest you call 1-800-525-2579.

RYOBI RECIPROCATING SAW – MODEL NUMBER RJ186V



WIRING DIAGRAM