

## Cordless Hammer Drill - 3 611 J05 310 - RHS181

www.powertools-aftersaleservice.com

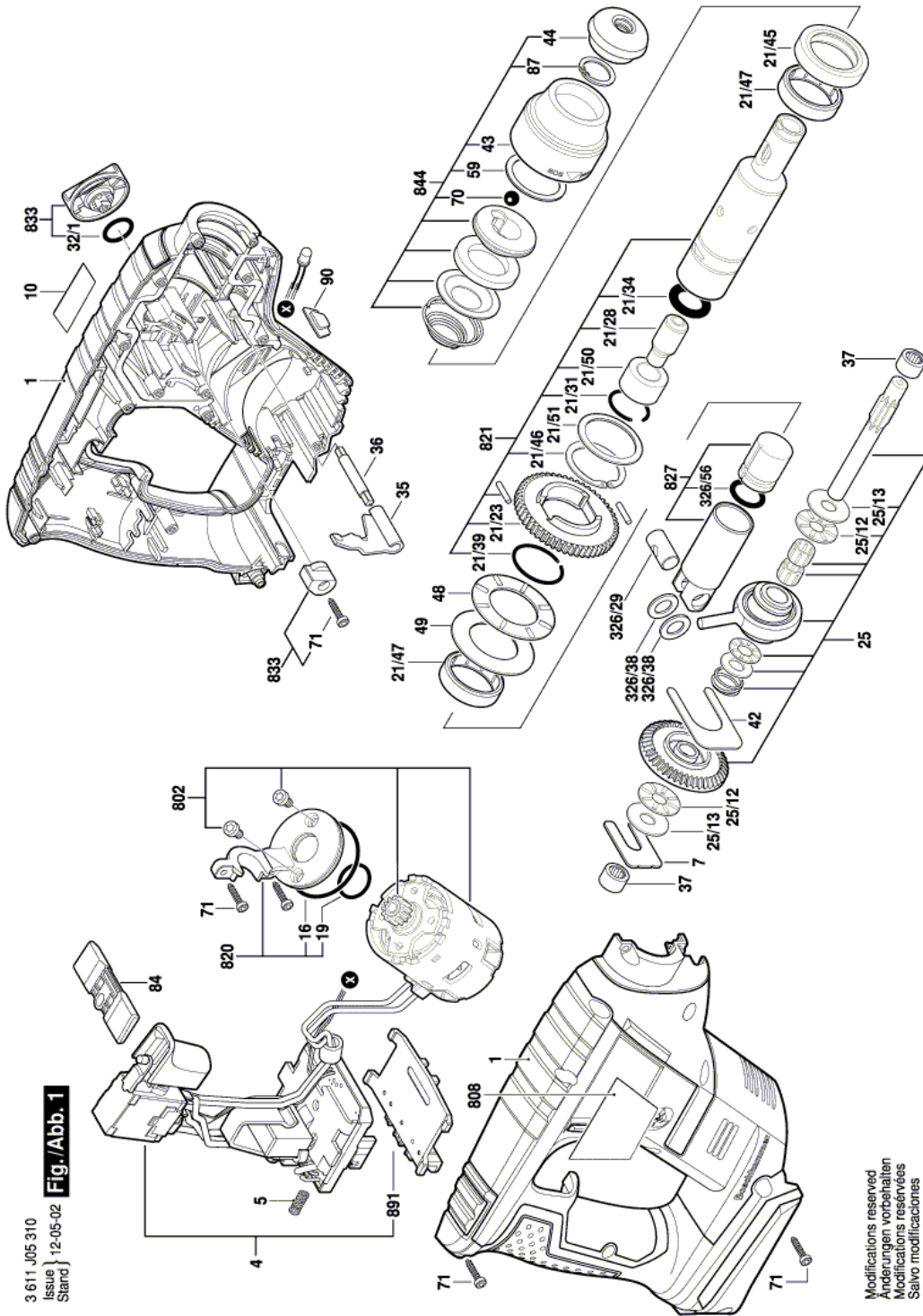


**BOSCH**

Item	Part Number	Description	Illustration	Price	Quantity	Price Group
1	1 615 104 164	Housing Section	1	-,-	1	32
4	1 607 233 412	Electronics Module	1	-,-	1	51
5	1 609 280 477	Compression Spring	1	-,-	1	11
7	1 611 320 001	U-Sheet 0,9 MM	1	-,-	1	11
7	1 611 320 002	U-Sheet 0,7 MM	1	-,-	1	11
7	1 611 320 003	U-Sheet 0,8 MM	1	-,-	1	11
10	1 611 110 W35	Manufacturer's nameplate	1	-,-	1	13
16	1 610 210 230	O-Ring 35,0x1,5 MM	1	-,-	1	12
19	1 610 210 231	O-Ring 14,2x2,0 MM	1	-,-	1	10
21/23	1 616 312 013	Cylindrical Gear	1	-,-	1	25
21/28	1 613 124 107	Striker Pin	1	-,-	1	16
21/31	1 614 601 075	Retaining ring	1	-,-	1	10
21/34	1 610 210 113	O-Ring 11,3x4,75 MM	1	-,-	1	11
21/39	1 614 601 076	Retaining ring	1	-,-	1	10
21/45	1 610 283 048	Shaft Seal	1	-,-	1	18
21/46	1 614 601 054	Retaining ring	1	-,-	1	11
21/47	1 610 910 071	Needle bearing	1	-,-	1	17
21/50	1 610 400 047	Guide Bushing	1	-,-	1	18
21/51	1 610 100 025	Supporting Disc 1,0 MM THICK	1	-,-	1	11
25	1 613 160 017	Jack Shaft	1	-,-	1	41
25/12	1 610 913 024	Thrust Needle Rim	1	-,-	2	12
25/13	1 610 100 024	Support Disc	1	-,-	2	10
32/1	1 610 210 233	O-Ring 12,0x2,0 MM	1	-,-	1	10
35	1 611 329 032	Pressure Lever	1	-,-	1	14
36	1 613 101 015	Adjusting Pin	1	-,-	1	17
37	2 600 917 003	Needle bearing Ø8x8 MM	1	-,-	2	14
42	1 611 031 008	Brake Plate	1	-,-	1	11
43	1 610 499 080	Protection Sleeve	1	-,-	1	12
44	1 610 508 052	Protective Cap	1	-,-	1	11
48	1 610 913 027	Needle-Roller Assembly	1	-,-	1	15
49	1 610 102 617	Support Disc 1,0 MM THICK	1	-,-	1	12
59	1 610 102 045	Friction Washer 1,0 MM THICK	1	-,-	1	10
70	1 903 230 013	Ball DIN 5401-Ø7MM-III-ST	1	-,-	1	10

Item	Part Number	Description	Illustration	Price	Quantity	Price Group
71	1 613 490 028	Torx Oval-Head Screw	1	-,-	15	10
84	1 613 231 029	Switch Slide	1	-,-	1	11
87	3 600 224 038	Spring retaining ring	1	-,-	1	11
90	1 600 A00 0LE	Lens	1	-,-	1	11
326/29	1 613 100 039	Piston Pin	1	-,-	1	13
326/38	1 610 100 608	Shim washer 1,2 MM THICK	1	-,-	1	11
326/56	1 610 210 232	O-Ring 13,0x2,5 MM	1	-,-	1	10
653	2 607 336 237	Slide-In Accu Package BBS MR L-PACK 18V, 3,0Ah, LI	2	-,-	2	54
654	2 607 225 327	Charger USA 120/10,8-18V, 30 MIN	2	-,-	1	49
802	1 617 000 6CW	DC motor	1	-,-	1	45
808	1 611 110 W55	Nameplate	1	-,-	1	13
820	1 617 000 6CX	Intermediate Flange	1	-,-	1	32
821	1 615 806 252	Hammer Pipe	1	-,-	1	45
827	1 617 000 6D0	Hammer Piston	1	-,-	1	26
833	1 617 000 6D1	Clamp Handle	1	-,-	1	21
844	1 617 000 6D3	Protection Sleeve	1	-,-	1	23
891	1 609 280 478	Contact retainer	1	-,-	1	26

Illustration - Type E



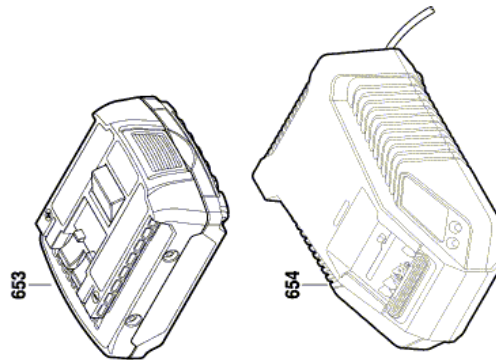
3 611 J05 310  
Issue 12-05-02  
Stand  
**Fig./Abb. 1**

Modifications reserved  
Änderungen vorbehalten  
Modificacions reservées  
Salvo modificaciones

Illustration - Type E

3 611 J05 310  
Issue } 12.05.02  
Stand }

**Fig./Abb. 2**



Modifications reserved  
Änderungen vorbehalten  
Modificaciones reservées  
Salvo modificaciones

Information subject to change without further notice.