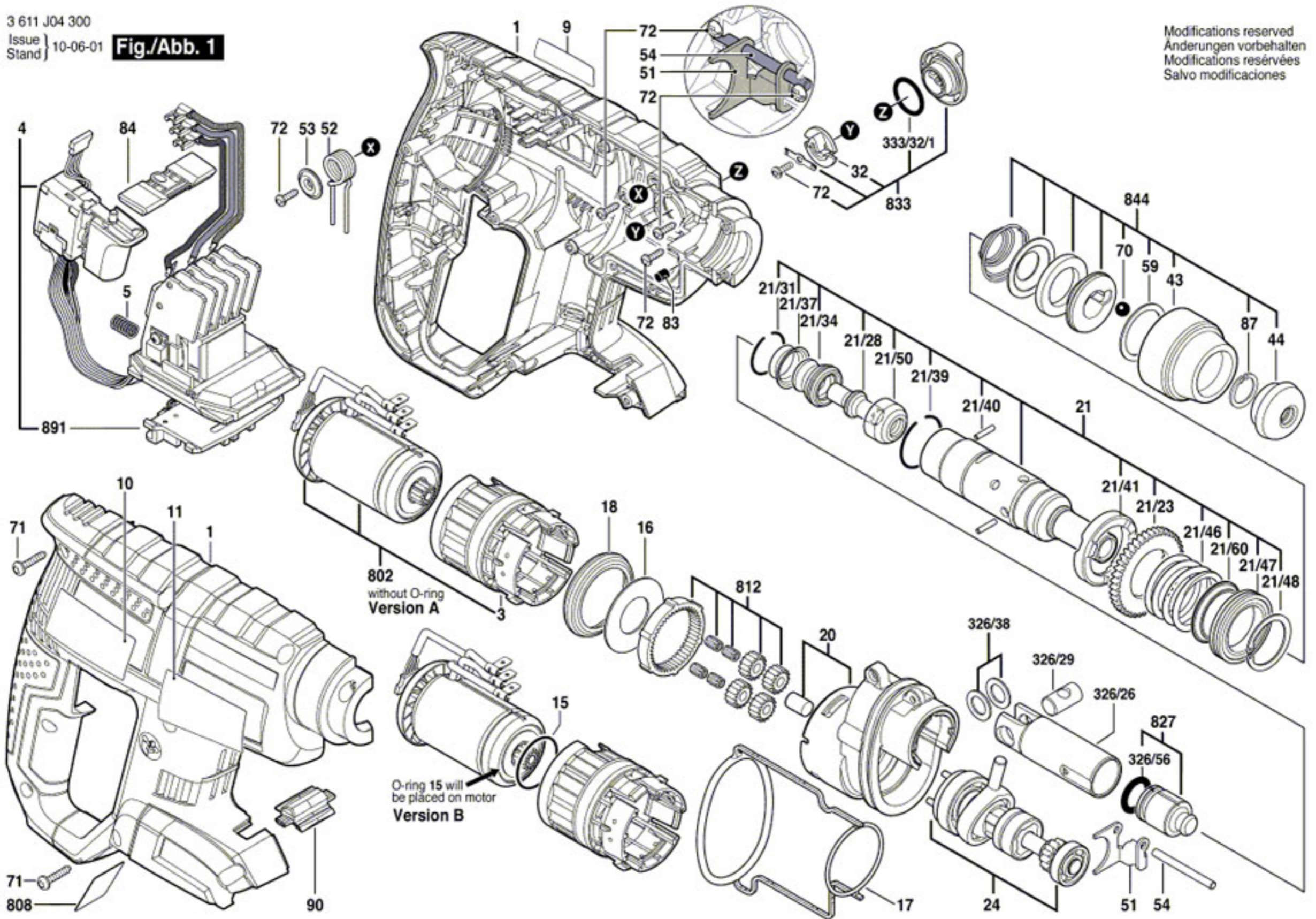


**Fig./Abb. 1**

Modifications reserved  
Änderungen vorbehalten  
Modifications réservées  
Salvo modificaciones



71 808

90

O-ring 15 will be placed on motor  
Version B

802  
without O-ring  
Version A

4 84 5 891

72 53 52 X

72 54 51 72

333/32/1 32 72 833

21/31 21/37 21/34 21/28 21/50 21/39 21/40 21 21/41 21/23 21/46 21/60 21/47 21/48 844 70 59 43 87 44

812 20 326/38 326/29 326/26 827 326/56 24 51 54 17

3 611 J04 300

Issue }  
Stand } 10-06-01

**Fig./Abb. 2**

