

Rotary Hammer - 3 611 B69 110 - RH540S

www.powertools-aftersaleservice.com



BOSCH

Item	Part Number	Description	Illustration	Price	Quantity	Price Group
1	1 619 P07 704	Motor Housing	1	-,-	1	29
2	1 619 P08 324	Field 110V	1	-,-	1	34
4	1 619 P10 396	Switch	1	-,-	1	31
5	1 614 461 034	Power supply cord USA/CDN 3,1m 3 x 1,31mm SJ0W	1	-,-	1	30
6	1 619 P07 722	Grommet	1	-,-	1	12
7	1 601 302 019	Fastening Clamp	1	-,-	1	11
9	1 619 P10 845	Manufacturer's nameplate RH540S	1	-,-	1	13
10	1 619 P10 846	Sticker	1	-,-	1	13
20	1 619 P10 647	Toolholder	1	-,-	1	38
21	1 619 P10 646	Protective Cap	1	-,-	1	16
22	1 619 P10 645	Protection Sleeve	1	-,-	1	30
25	1 619 P09 376	Locking Bolt	1	-,-	1	13
27	1 619 P07 739	Air-Deflector Ring	1	-,-	1	13
28	1 614 621 000	Compression Spring	1	-,-	1	13
29	1 619 P10 163	Bushing	1	-,-	1	22
30	1 619 P10 649	Supporting Disc	1	-,-	1	17
34	1 619 P10 165	Flange	1	-,-	1	15
35	1 619 P10 167	Hammer Pipe	1	-,-	1	47
37	1 619 P10 377	Cylindrical Roller	1	-,-	6	11
38	1 619 P10 168	Covering hood	1	-,-	1	27
42	1 619 P07 754	Brush Holder	1	-,-	1	30
43	1 619 P10 171	Fan Cover	1	-,-	1	25
44	1 619 P10 381	Compression Spring	1	-,-	1	13
45	1 610 499 070	Control Bushing	1	-,-	1	28
47	1 610 300 064	Gear Sleeve	1	-,-	1	20
48	1 616 334 012	Clutch Sleeve	1	-,-	1	17
51	1 616 333 041	Crown Gear	1	-,-	1	36
53	1 610 290 068	Support Disc	1	-,-	1	14
57	1 618 710 091	Striker	1	-,-	1	32
69	1 610 099 004	Retaining Bracket	1	-,-	1	13
72	1 616 317 085	Eccentric Cog Wheel	1	-,-	1	44
74	1 611 921 001	Guide Plate	1	-,-	1	13
75	1 619 P10 176	Handle	1	-,-	1	35

Item	Part Number	Description	Illustration	Price	Quantity	Price Group
76	1 619 P06 072	Terminal Block		1	-,-	1 12
79	1 613 435 015	Torx Oval-Head Screw M5x12-TORX,T25 SILVER		1	-,-	2 11
80	1 619 P09 590	Speed governor		1	-,-	1 40
81	1 619 P10 177	Handle Cover		1	-,-	1 31
84	1 612 025 060	Auxiliary Handle M8 BLACK		2	-,-	1 20
85	1 619 P07 774	index turning toolholder		2	-,-	1 21
86	1 613 490 002	T-Head Bolt M8x40 MM		2	-,-	1 13
87	1 619 P07 776	Clamping Band		2	-,-	1 15
94	1 610 102 056	Friction Washer		1	-,-	1 13
95	1 610 210 173	O-Ring 32,0x1,5 MM		1	-,-	1 11
97	1 610 031 005	Locking Washer		1	-,-	1 13
99	1 610 102 059	Support Disc		1	-,-	1 13
101	1 610 499 073	Retaining snap ring		1	-,-	1 19
102	1 610 102 057	Shim 0,3 MM		1	-,-	1 11
102	1 610 102 058	Shim 0,2 MM		1	-,-	1 11
104	1 610 210 160	O-Ring 52,0x2,0 MM		1	-,-	1 11
111	1 610 290 064	Bushing		1	-,-	1 11
112	1 619 P10 179	Ring Magnet		1	-,-	1 18
113	1 613 435 009	Tapping Screw ST-4,8x57,5-TORX,T20		1	-,-	2 11
117	1 610 913 004	Needle-Roller Assembly Ø13 MM		1	-,-	4 16
120	1 610 590 019	Stop Sleeve		1	-,-	1 28
125	1 613 435 014	Torx Oval-Head Screw M5x16-TORX,T25 SILVER		1	-,-	2 11
126	2 910 211 019	Tapping Screw DIN 7971-ST3,9x16-F		1	-,-	1 10
129	1 619 P10 181	Holding Sleeve		1	-,-	1 23
130	1 619 P10 182	Cover		1	-,-	1 19
134	2 910 110 116	Pan head screw DIN 85 AM 4x6-MS		1	-,-	1 10
135	1 619 P10 644	Earth Conductor		1	-,-	1 11
136	1 619 P10 521	Terminal		1	-,-	1 10
137	1 610 151 007	Spring Lock Washer		1	-,-	1 10
138	1 611 015 053	Sealing Frame		1	-,-	1 18
141	1 610 290 066	Rotary shaft lip seal		1	-,-	1 22
143	2 916 540 017	Retaining ring DIN 7993 A 30		1	-,-	1 10
145	1 610 119 012	Spring retaining ring		1	-,-	1 11
150	2 917 790 174	Slotted Spring Pin		1	-,-	1 10
154	2 916 660 023	Spring retaining ring DIN 472 52x2MM		1	-,-	1 16
160	1 610 290 095	Damping Ring		1	-,-	1 23
161	1 610 290 094	Damping Ring		1	-,-	1 14
162	1 610 210 204	O-Ring 22,5x3,5 MM		1	-,-	1 13
163	1 610 290 065	Seal ring		1	-,-	1 17
165	1 610 210 079	O-Ring 22,0x4,0 MM		1	-,-	1 14
167	1 610 283 033	Rotary shaft lip seal		1	-,-	1 19
168	1 610 210 144	O-Ring 22,0x3,0 MM		1	-,-	1 11
171	1 619 P07 816	Torx Oval-Head Screw M5x16-TORX, T25 SILVER		1	-,-	4 10
172	1 613 435 013	Torx Oval-Head Screw M6x30-TORX,T30 SILVER		1	-,-	4 11
173	2 910 611 019	Tapping Screw DIN 7981-ST3,9x16-C-H		1	-,-	1 13
174	1 613 435 012	Torx Oval-Head Screw M4,8x25-TORX,T25 SILVER		1	-,-	4 11
175	2 912 401 018	Tapping Screw DIN7981-ST3,9x13-C-Z		1	-,-	4 10
176	1 613 435 012	Torx Oval-Head Screw M4,8x25-TORX,T25 SILVER		1	-,-	2 11
177	1 619 P07 821	Screw ST3,9x32 SILVER		1	-,-	2 10
178	1 619 P11 489	Connecting Cable		1	-,-	1 20

Item	Part Number	Description	Illustration	Price	Quantity	Price Group
179	1 619 P07 815	Screw	1	-,-	2	10
661	1 615 430 010	Grease Tube 30 ML	2	-,-	1	18
803	1 619 P10 864	Armature 110V	1	-,-	1	44
803/13	1 610 900 026	Deep-Groove Ball Bearing 8x24x8	1	-,-	1	24
803/14	1 610 905 041	Deep-Groove Ball Bearing 12x32x10	1	-,-	1	23
808	1 619 P10 873	Nameplate	1	-,-	1	14
811	1 617 014 138	Carbon-Brush Set	1	-,-	1	28
817	1 614 652 004	Spiral Spring	1	-,-	2	20
821	1 619 P10 749	Bushing	1	-,-	1	30
840	1 619 P10 865	Impact Mechanism Housing	1	-,-	1	45
841	1 619 P10 752	Striker Pin	1	-,-	1	36
849	1 617 000 839	Control Fork	1	-,-	1	30
854	1 619 P10 847	Guide Bushing	1	-,-	1	39
856	1 619 P10 765	Hammer Piston	1	-,-	1	33
860	1 619 P10 766	Spur Wheel Clutch	1	-,-	1	43
873	1 619 P10 767	Housing Cover	1	-,-	1	35
884	1 619 P07 778	Auxiliary Handle	2	-,-	1	27
897	1 619 P10 867	Wear and Tear Part Set	1	-,-	1	38

Illustration - Type E

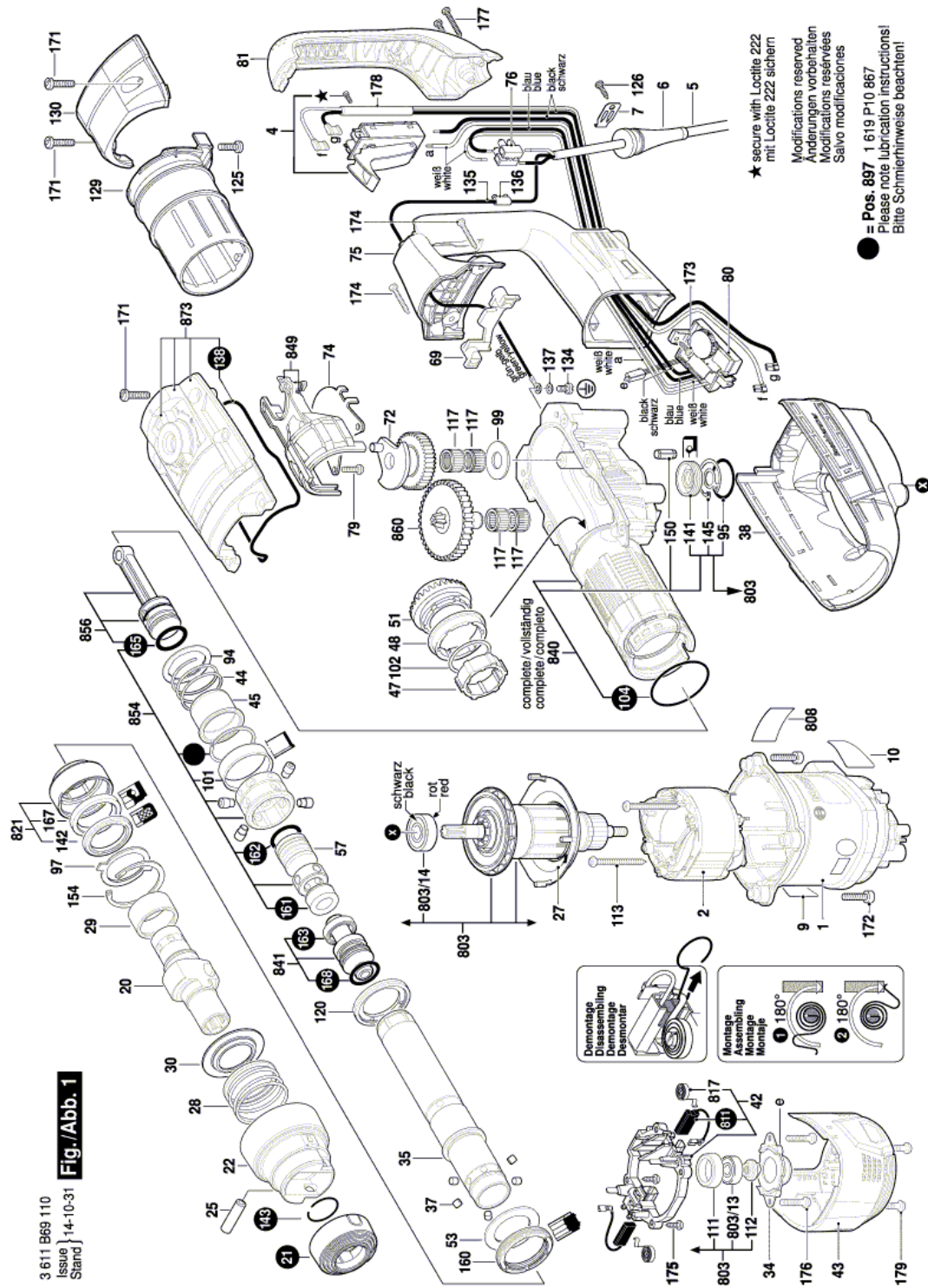
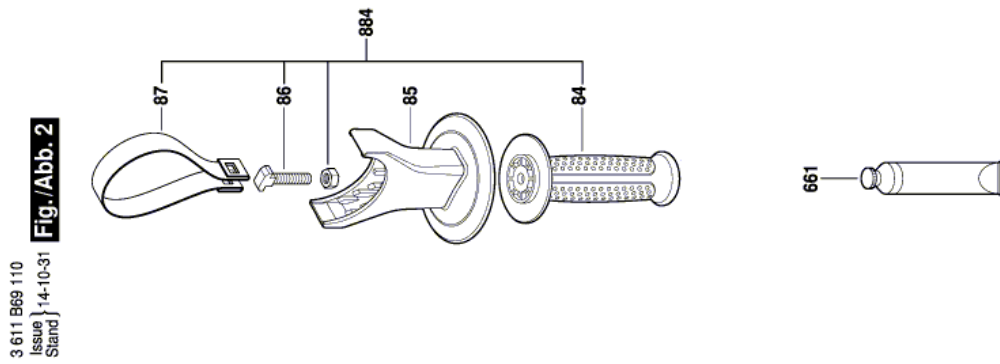


Illustration - Type E



Änderungen vorbehalten
Modifications reserved
Modificacions reservées
Salvo modificaciones

Information subject to change without further notice.