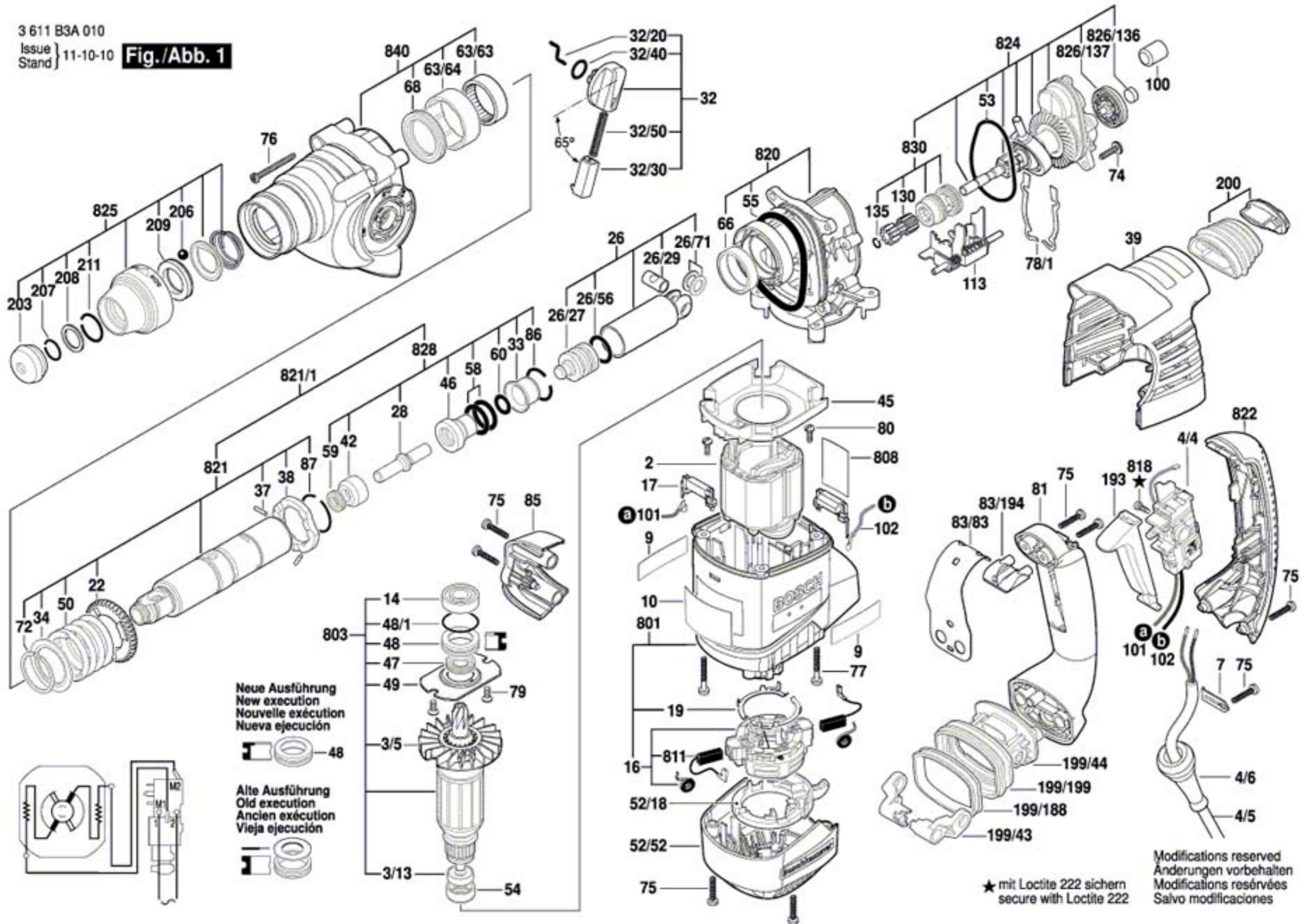


**Fig./Abb. 1**



3 611 B3A 010

Issue }  
Stand } 11-10-10

**Fig./Abb. 2**

