

Illustration - Type E

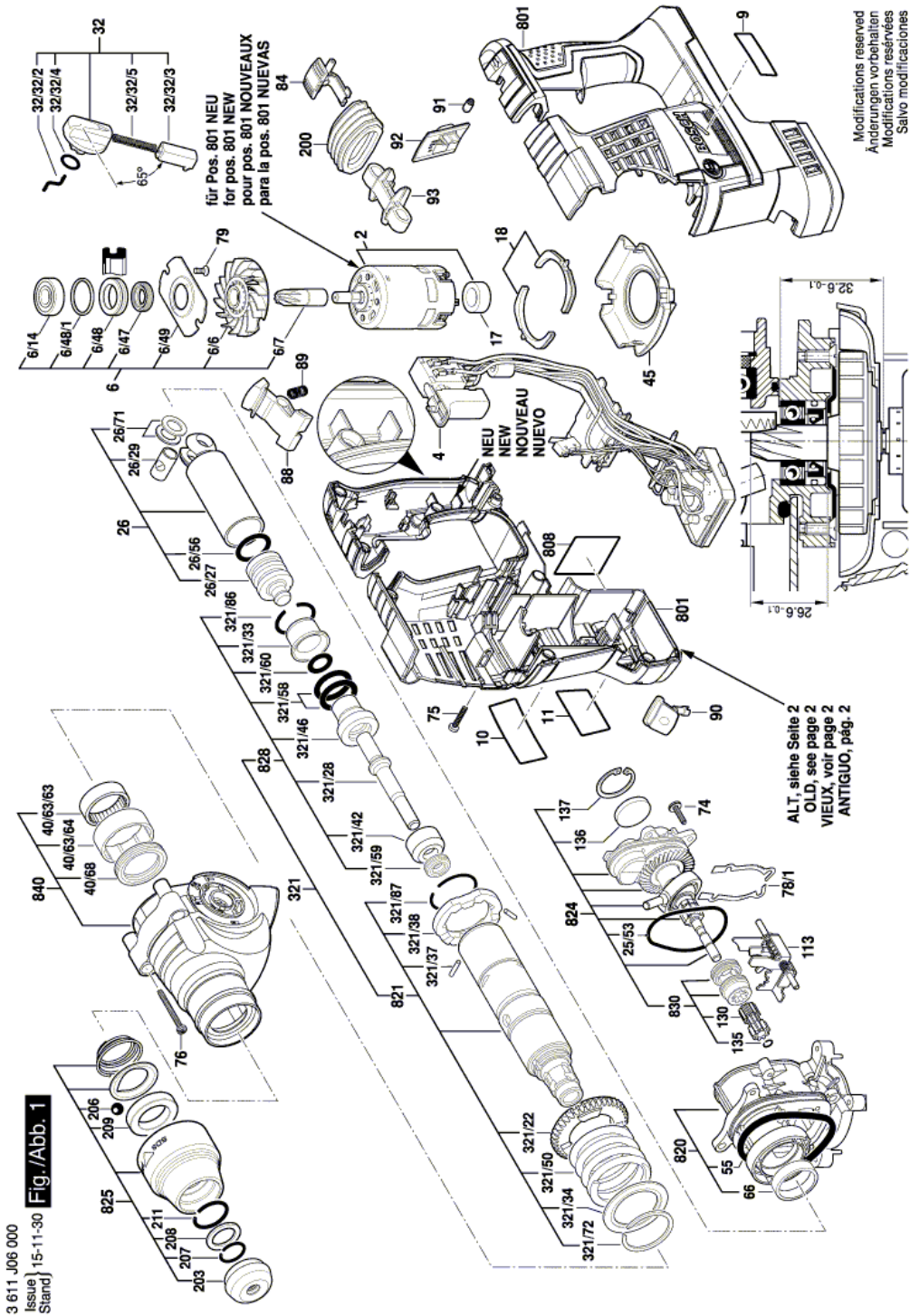
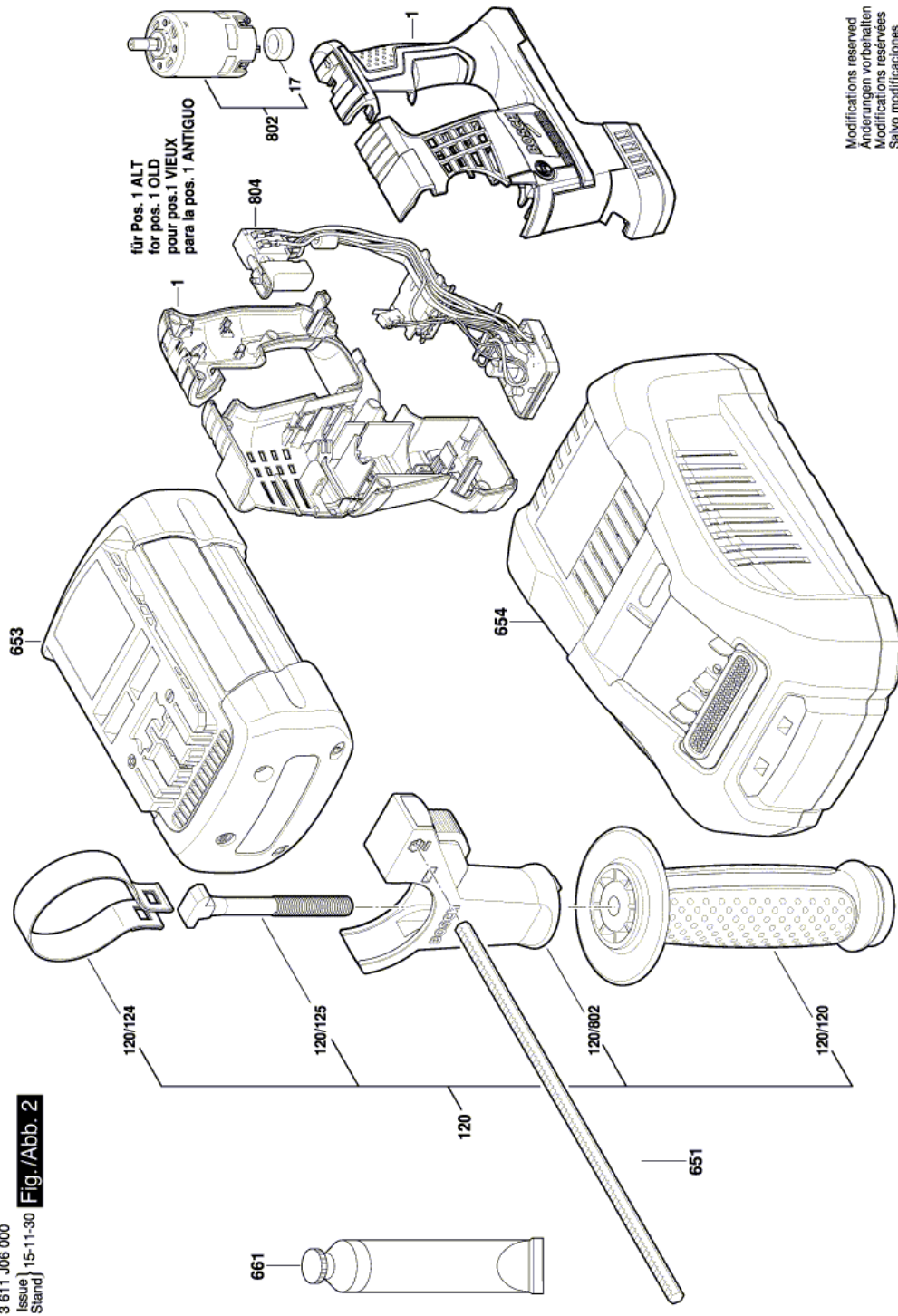


Illustration - Type E



3 611 J06 000  
Issue 15-11-30  
Stand  
**Fig./Abb. 2**

Information subject to change without further notice.

## Cordless Hammer Drill - 3 611 J06 010 - RH328 VC-3...

www.powertools-aftersaleservice.com



**BOSCH**

Item	Part Number	Description	Illustration	Price	Quantity	Price Group
1	1 615 108 179	Housing Section	2	-,-	1	34
2	1 607 022 662	DC motor	1	-,-	1	47
4	1 600 A00 A4B	Electronics Module	1	-,-	1	46
6	1 617 000 A5F	Drive pinion	1	-,-	1	34
6/6	1 616 610 157	Fan	1	-,-	1	17
6/7	1 600 A00 1EF	Drive pinion	1	-,-	1	23
6/14	1 610 905 044	groove ball bearing	1	-,-	1	21
6/47	1 610 283 047	Rotary shaft lip seal	1	-,-	1	24
6/48	1 610 290 102	Bearing Ring	1	-,-	1	19
6/48/1	1 610 210 208	O-Ring 24,0x2,0 MM	1	-,-	1	11
6/49	1 615 700 044	End Shield	1	-,-	1	12
9	1 611 11C 036	Manufacturer's nameplate	1	-,-	1	13
10	6 082 942 7VX	Warning Plate	1	-,-	1	13
11	1 611 11C 037	Reference Plate	1	-,-	1	13
17	1 600 A00 1HK	Bearing Ring	1	-,-	1	12
18	1 600 A00 1FP	Motor Bearing	1	-,-	2	21
25/53	1 610 210 245	O-Ring	1	-,-	1	14
26	1 617 000 6A5	Hammer Piston	1	-,-	1	38
26/27	1 610 311 019	Striker	1	-,-	1	29
26/29	1 613 105 020	Piston Pin	1	-,-	1	17
26/56	1 610 210 121	O-Ring 17,0x3,0 MM GREEN	1	-,-	1	13
26/71	1 610 100 016	Guide Disc	1	-,-	2	11
32	1 612 026 151	Clamp Handle BLACK	1	-,-	1	26
32/32/2	1 614 690 009	Driver Pin	1	-,-	1	15
32/32/3	1 612 026 035	Switch Button RED	1	-,-	1	11
32/32/4	1 610 210 046	O-Ring 10,5x2,7 MM	1	-,-	1	11
32/32/5	1 614 611 006	Compression Spring	1	-,-	1	15
40/63/63	1 600 A00 1CN	Needle bearing	1	-,-	1	13
40/63/64	1 610 390 069	Bushing	1	-,-	1	12
40/68	1 610 283 036	Rotary shaft lip seal	1	-,-	1	20
45	1 610 591 055	Air-Deflector Ring	1	-,-	1	11
55	1 610 210 206	Seal ring 63,0x5,0 MM	1	-,-	1	18
66	1 610 202 021	Plain bearing	1	-,-	1	13

Item	Part Number	Description	Illustration	Price	Quantity	Price Group
74	1 603 430 00V	Torx Oval-Head Screw	1	-,-	4	10
75	2 603 490 023	Torx Oval-Head Screw 4x20	1	-,-	9	10
76	2 603 490 027	Torx Oval-Head Screw 4x40	1	-,-	4	10
78/1	1 600 A00 3TA	Shim 0,3 MM	1	-,-	1	10
78/1	1 600 A00 4FU	Shim 0,15 MM	1	-,-	1	10
78/1	1 600 A00 4FV	Shim 0,45 MM	1	-,-	2	10
79	1 613 435 023	Thread-forming tap. Screw	1	-,-	2	10
84	1 600 A00 1E5	Switch Slide	1	-,-	1	11
88	1 600 A00 1CM	Push-Button	1	-,-	1	11
89	1 604 612 007	Compression Spring	1	-,-	1	12
90	1 600 A00 1E3	Lens	1	-,-	1	11
91	1 600 A00 7JV	Thrust Member	1	-,-	1	13
92	1 600 A00 1ED	Control Element	1	-,-	1	12
93	1 600 A00 22Y	Guide Piece	1	-,-	1	11
113	1 616 325 002	Switching Panel	1	-,-	1	24
120	1 602 025 08Y	Auxiliary Handle	2	-,-	1	30
120/120	1 612 025 058	Auxiliary Handle M8 BLACK	2	-,-	1	19
120/124	1 611 316 021	Clamping Band Ø50 MM	2	-,-	1	14
120/125	1 613 490 001	T-Head Bolt M8x80 MM	2	-,-	1	21
120/802	1 617 000 685	index turning toolholder	2	-,-	1	17
130	1 616 333 049	Gear Sleeve	1	-,-	1	28
135	1 614 601 067	Retaining ring	1	-,-	1	11
136	1 610 205 017	Felt Disc	1	-,-	1	10
137	2 916 660 012	Spring retaining ring 30x1,2MM, DIN 472	1	-,-	1	11
200	1 600 A00 1CL	Bellows	1	-,-	1	17
203	1 610 508 047	Protective Cap	1	-,-	1	12
206	1 613 230 003	Ball Ø7,3 MM	1	-,-	1	11
207	1 614 601 027	Retaining ring	1	-,-	1	10
208	1 610 101 629	Retaining Washer	1	-,-	1	10
209	1 610 102 638	Friction Washer	1	-,-	1	15
211	2 916 540 012	Retaining ring DIN 7993-A22	1	-,-	1	13
321	1 617 000 6CA	Toolholder	1	-,-	1	46
321/22	1 616 312 004	Cylindrical Gear	1	-,-	1	24
321/28	1 613 124 098	Striker Pin	1	-,-	1	29
321/33	1 610 590 020	Holding Jacket	1	-,-	1	19
321/34	1 610 190 067	Supporting Disc	1	-,-	1	12
321/37	1 613 100 019	Straight Pin DIN6325-2,5x12-RIKO	1	-,-	3	11
321/38	1 600 A00 8AG	Catch Disk	1	-,-	1	15
321/42	1 610 102 084	Thrust Ring	1	-,-	1	21
321/46	1 610 390 068	Guide Bushing	1	-,-	1	27
321/50	1 614 615 008	Compression Spring	1	-,-	1	18
321/58	1 610 210 105	O-Ring 18,0x3,5 MM	1	-,-	2	13
321/59	1 610 283 039	Rotary shaft lip seal	1	-,-	1	17
321/60	1 610 210 209	O-Ring 9,5x3,5 MM	1	-,-	1	11
321/72	1 604 601 027	Retaining ring	1	-,-	1	10
321/86	1 614 601 034	Retaining ring	1	-,-	1	12
321/87	1 604 601 028	Retaining ring A22 DIN 7993	1	-,-	1	10
651	1 613 001 009	Depth-Gauge SW 6x210 MM	2	-,-	1	15
653	2 607 336 891	Slide-In Accu Package	2	-,-	1	-
654	2 607 225 905	Fast Charger	2	-,-	1	47
661	1 615 430 010	Grease Tube 30 ML	2	-,-	1	18
801	1 605 108 2D9	Housing Section	1	-,-	1	-
802	1 617 000 A5H	DC motor	2	-,-	1	47

Item	Part Number	Description	Illustration	Price	Quantity	Price Group
804	1 607 233 512	Electronics Module		2	-,-	1 46
808	1 601 106 040	Nameplate 26x42 MM		1	-,-	1 17
820	1 617 000 A5J	Intermediate Flange		1	-,-	1 33
821	1 617 000 6C9	Tool Holding Fixture		1	-,-	1 41
824	1 617 000 A5K	Jack Shaft		1	-,-	1 40
825	1 617 000 6CB	Tool Holding Fixture		1	-,-	1 24
828	1 617 000 697	Striker Pin		1	-,-	1 38
830	1 617 000 698	Gear Sleeve		1	-,-	1 33
840	1 617 000 699	Impact Mechanism Housing BLACK		1	-,-	1 39