

Rotary Hammer - 3 611 B66 010 - RH1255VC

www.powertools-aftersaleservice.com



BOSCH

Item	Part Number	Description	Illustration	Price	Quantity	Price Group
1	1 615 108 172	Motor Housing	1	-,-	1	35
2	1 604 220 23R	Field	1	-,-	1	43
4	1 617 200 130	Switch	1	-,-	1	34
5	1 614 460 101	Power supply cord	1	-,-	1	32
6	1 610 703 053	Grommet Ø9,7-Ø12x89 MM	1	-,-	1	13
7	1 601 302 018	Fastening Clamp	1	-,-	1	11
9	1 601 11C 067	Sticker	1	-,-	1	13
15	1 616 610 114	Fan	1	-,-	1	24
16	1 600 A00 15D	Clamp ring	1	-,-	1	13
20	1 618 597 105	Toolholder	1	-,-	1	48
21	1 600 A00 1XC	Protective Cap	1	-,-	1	16
22	1 610 591 054	Protection Sleeve	1	-,-	1	20
23	1 610 520 007	Stop Sleeve	1	-,-	1	24
24	1 610 500 026	Headed Bush	1	-,-	1	18
25	1 612 300 025	Stopping Device	1	-,-	2	21
26	1 610 290 027	Indexing Disk	1	-,-	1	15
27	1 600 591 056	Air-Deflector Ring	1	-,-	1	14
28	1 614 621 017	Compression Spring	1	-,-	1	15
31	1 610 290 123	Damping Ring	1	-,-	1	15
37	1 610 322 019	Control Bushing	1	-,-	1	19
38	1 615 190 186	Covering hood	1	-,-	1	32
43	1 615 500 447	Brush-Cover	1	-,-	1	22
44	1 614 621 016	Compression Spring	1	-,-	1	15
45	1 610 591 053	Holding-Down-Appliance	1	-,-	1	12
47	1 610 300 082	Gear Sleeve	1	-,-	1	20
48	1 619 990 179	Clutch Sleeve	1	-,-	1	22
51	1 616 333 053	Crown Gear	1	-,-	1	44
54	1 600 A00 218	Spacer Tube	1	-,-	1	16
59	1 615 805 079	Bearing Pedestal	1	-,-	1	24
61	1 600 A00 15E	grease distributor	1	-,-	1	16
66	1 600 210 246	Rubber Ring	1	-,-	1	12
67	1 600 A00 0XS	Eccentric Shaft	1	-,-	1	27
68	1 600 A00 15F	Pickup Clip	1	-,-	1	10

Item	Part Number	Description	Illustration	Price	Quantity	Price Group
69	1 613 100 040	Piston Pin	1	-,-	1	12
70	1 600 A00 1Y6	Connecting Rod	1	-,-	1	30
72	1 616 317 622	Eccentric Cog Wheel	1	-,-	1	32
74	1 600 A00 0XT	Eccentric Bolt	1	-,-	1	17
80	1 607 233 460	Speed governor	1	-,-	1	43
84	1 602 025 07H	Auxiliary Handle	2	-,-	1	23
85	1 618 040 097	Support clamp	2	-,-	1	21
87	1 611 316 038	Clamping Band	2	-,-	1	21
95	1 613 120 025	Driving Pin	1	-,-	4	17
99	1 600 A00 5BD	Supporting Disc	1	-,-	1	20
111	1 615 801 027	Bushing	1	-,-	1	17
112	1 613 300 009	Hex Nut	1	-,-	1	12
113	1 603 435 07A	Torx Oval-Head Screw	1	-,-	2	10
116	1 600 905 035	groove ball bearing 12x37x12	1	-,-	1	22
119	1 600 900 041	groove ball bearing	1	-,-	2	17
120	1 610 190 078	Spacer bushing	1	-,-	1	18
121	1 615 805 080	Plain bearing	1	-,-	1	26
122	1 610 290 122	Spacer Ring	1	-,-	1	14
125	1 613 435 040	Torx Oval-Head Screw	1	-,-	15	10
126	2 603 490 023	Torx Oval-Head Screw 4x20	1	-,-	1	10
131	1 611 11A 084	Warning Plate	1	-,-	1	14
132	1 605 500 44M	Cover	1	-,-	1	11
133	1 610 205 016	Felt	1	-,-	1	11
138	1 611 015 065	Sealing Frame	1	-,-	1	17
141	1 610 290 119	Shaft Seal	1	-,-	1	16
143	1 614 601 071	Retaining ring	1	-,-	1	10
144	1 610 101 023	Supporting Disc	1	-,-	1	15
151	1 610 210 236	O-Ring	1	-,-	1	10
152	1 614 601 022	Retaining ring	1	-,-	1	13
153	2 916 540 018	Retaining ring DIN 7993-A32	1	-,-	1	15
154	2 916 660 040	Spring retaining ring DIN 472-68x2,5MM	1	-,-	1	12
155	1 614 601 080	Spring retaining ring	1	-,-	1	11
156	1 600 150 01V	Spring retaining ring	1	-,-	1	14
157	1 610 210 238	O-Ring	1	-,-	1	10
158	1 610 210 239	Rubber Ring	1	-,-	1	11
160	1 610 210 240	Damping Ring	1	-,-	1	14
161	1 610 210 241	Damping Ring	1	-,-	1	25
162	1 610 210 237	O-Ring	1	-,-	2	14
163	1 610 210 242	Seal Ring	1	-,-	2	25
165	1 600 A00 0XU	Seal Fastener	1	-,-	1	13
166	1 613 200 022	Cylindrical Roller	1	-,-	8	11
167	1 610 290 124	Rotary shaft lip seal	1	-,-	1	21
168	1 600 A00 1XD	Seal Ring	1	-,-	1	14
170	1 600 A00 15H	Torx socket button screw	1	-,-	3	10
171	1 613 414 026	Torx socket button screw	1	-,-	2	10
172	1 613 435 041	Torx Oval-Head Screw	1	-,-	4	11
173	1 613 490 024	Torx Oval-Head Screw M5x20	1	-,-	1	11
175	1 603 435 07D	Torx Oval-Head Screw	1	-,-	2	10
189	1 615 133 038	Handle	1	-,-	1	26
190	1 615 500 438	Handle Cover	1	-,-	1	27
192	1 614 611 028	Rocker Foot	1	-,-	1	18
194	1 600 A00 1XE	Screw Plate	1	-,-	1	15
195	1 600 A00 1XF	Screw Plate	1	-,-	1	13

Item	Part Number	Description	Illustration	Price	Quantity	Price Group
196	1 600 A00 2PC	Damping rubber	1	-,-	1	11
197	1 616 232 000	Leaf Spring	1	-,-	1	23
199	1 610 284 012	Bellows	1	-,-	1	18
200	1 610 284 013	Bellows	1	-,-	1	18
201	1 610 209 015	Clamping element	1	-,-	1	10
202	1 610 209 016	Clamping element	1	-,-	1	10
204	1 615 102 164	Rear Housing Section	1	-,-	1	26
206	1 612 386 007	Retaining Part	1	-,-	1	11
211	1 600 A00 8AB	Magnet	1	-,-	1	10
212	1 614 621 012	Compression Spring	1	-,-	2	10
240	1 600 A00 0XV	Counterweight	1	-,-	1	21
242	1 615 190 187	Guide Piece	1	-,-	2	12
243	1 614 621 018	Compression Spring	1	-,-	4	11
244	1 600 A00 13J	Plug Housing	1	-,-	1	10
691	1 615 438 705	Carrying Case	N/A	-,-	1	38
803	1 607 000 C55	Armature assembly	1	-,-	1	53
808	1 601 11A 3H5	Nameplate	1	-,-	1	13
810	1 607 000 C56	Carbon-Brush Set	1	-,-	1	32
813	1 607 000 C40	groove ball bearing	1	-,-	1	31
814	1 607 000 C41	groove ball bearing	1	-,-	1	33
820	1 607 000 C42	Tool Holder Set	1	-,-	1	52
821	1 607 000 C5J	Brush Holder	1	-,-	1	33
835	1 607 000 C43	Hammer Pipe	1	-,-	1	49
840	1 607 000 C44	Impact Mechanism Housing	1	-,-	1	53
841	1 607 000 C45	Striker Pin	1	-,-	1	39
849	1 607 000 C46	Control Fork	1	-,-	1	25
853	1 607 000 C47	Guide Bushing	1	-,-	1	38
856	1 607 000 C48	Hammer Piston	1	-,-	1	33
857	1 607 000 C49	Striker	1	-,-	1	36
859	1 607 000 C4A	Bearing Pedestal	1	-,-	1	34
860	1 607 000 C4B	Spur Wheel Clutch	1	-,-	1	47
872	1 607 000 C4C	Eccentric	1	-,-	1	45
873	1 607 000 C4D	Housing Cover	1	-,-	1	39
884	1 607 000 C4E	Auxiliary Handle	2	-,-	1	34
891	1 612 099 005	Rocker Arm	1	-,-	1	23
895	1 607 000 C4F	Diaphragm	1	-,-	1	29
899	1 607 000 C57	Service package	N/A	-,-	1	43

Illustration - Type E

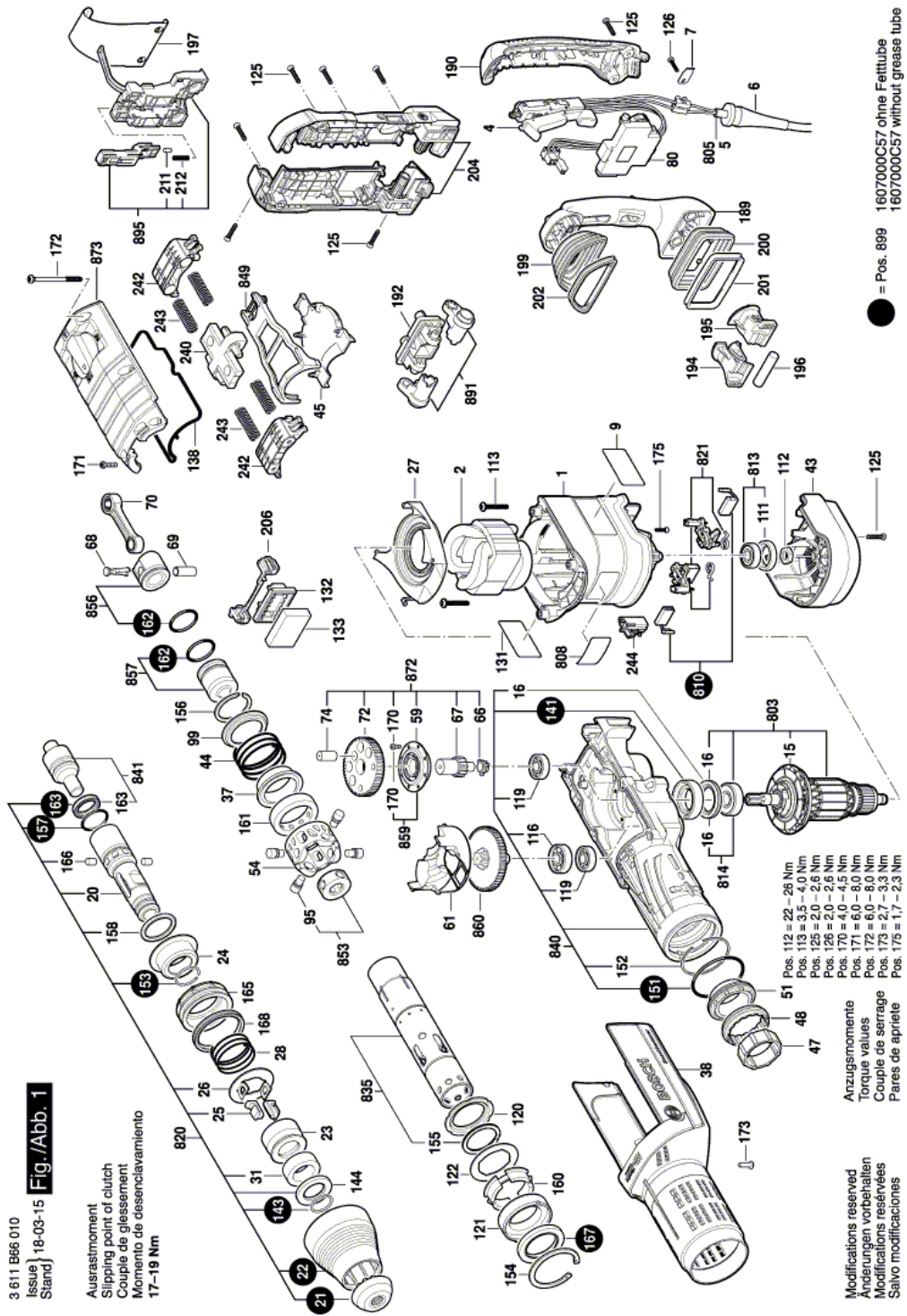
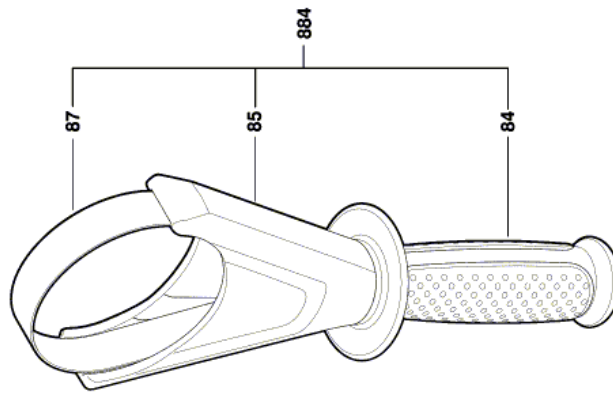


Illustration - Type E



3 611 B66 010
Issue) 15-09-25
Stand) **Fig./Abb. 2**

Modifications reserved
Änderungen vorbehalten
Modificaciones reservadas
Salvo modificaciones

Information subject to change without further notice.