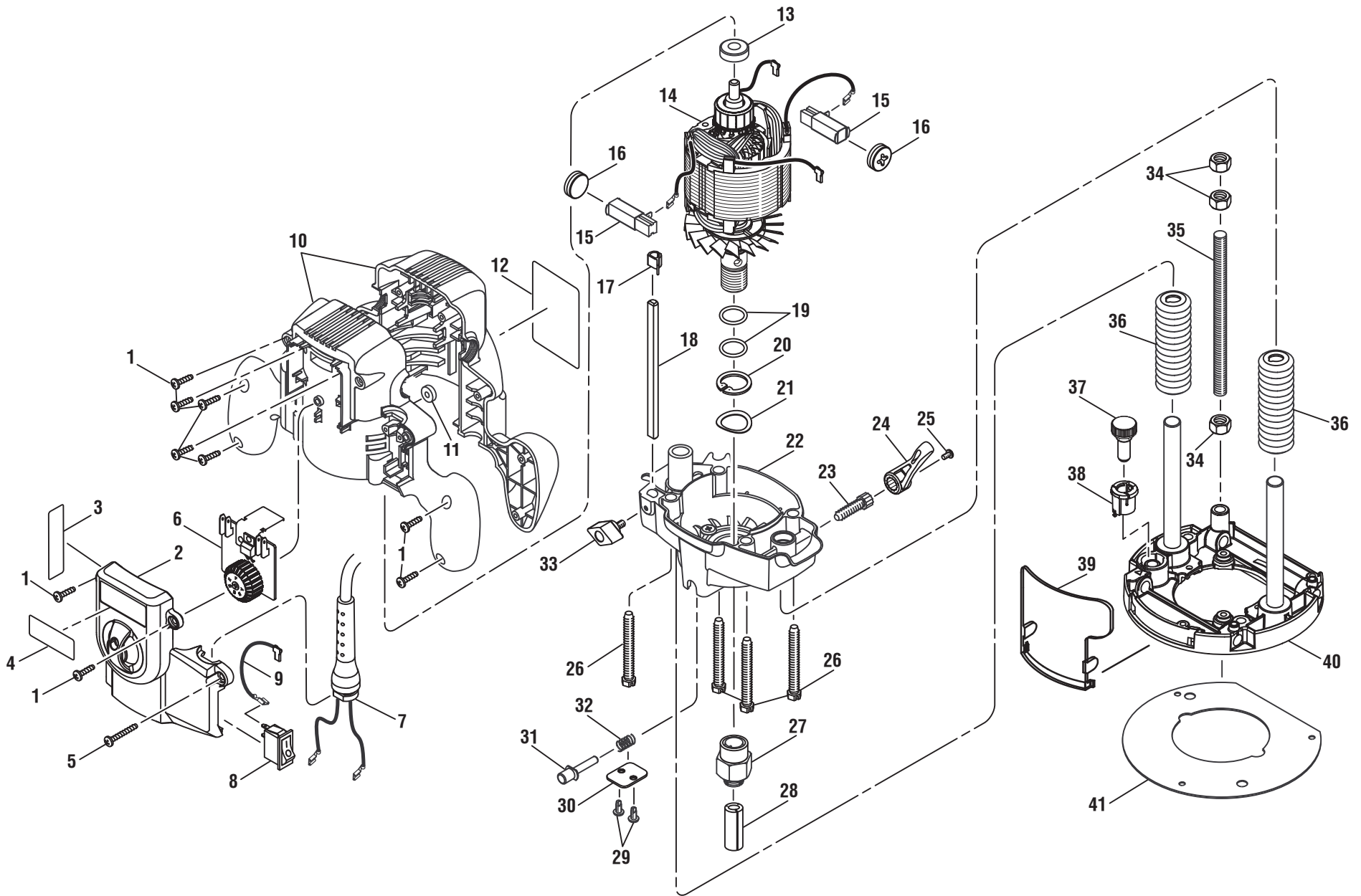


**RYOBI
PLUNGE BASE ROUTER
MODEL NO. RE180PL1G
REPAIR SHEET**

RYOBI PLUNGE BASE ROUTER MODEL NUMBER RE180PL1G



⚠ WARNING: Improper repair of a double insulated tool can result in damages to the double insulation system possibly causing electrical shock or electrocution. Any repairs requiring disassembly of your tool requires safety testing and should only be performed by a Ryobi Authorized Service Center. For the service center nearest you call 1-800-525-2579.

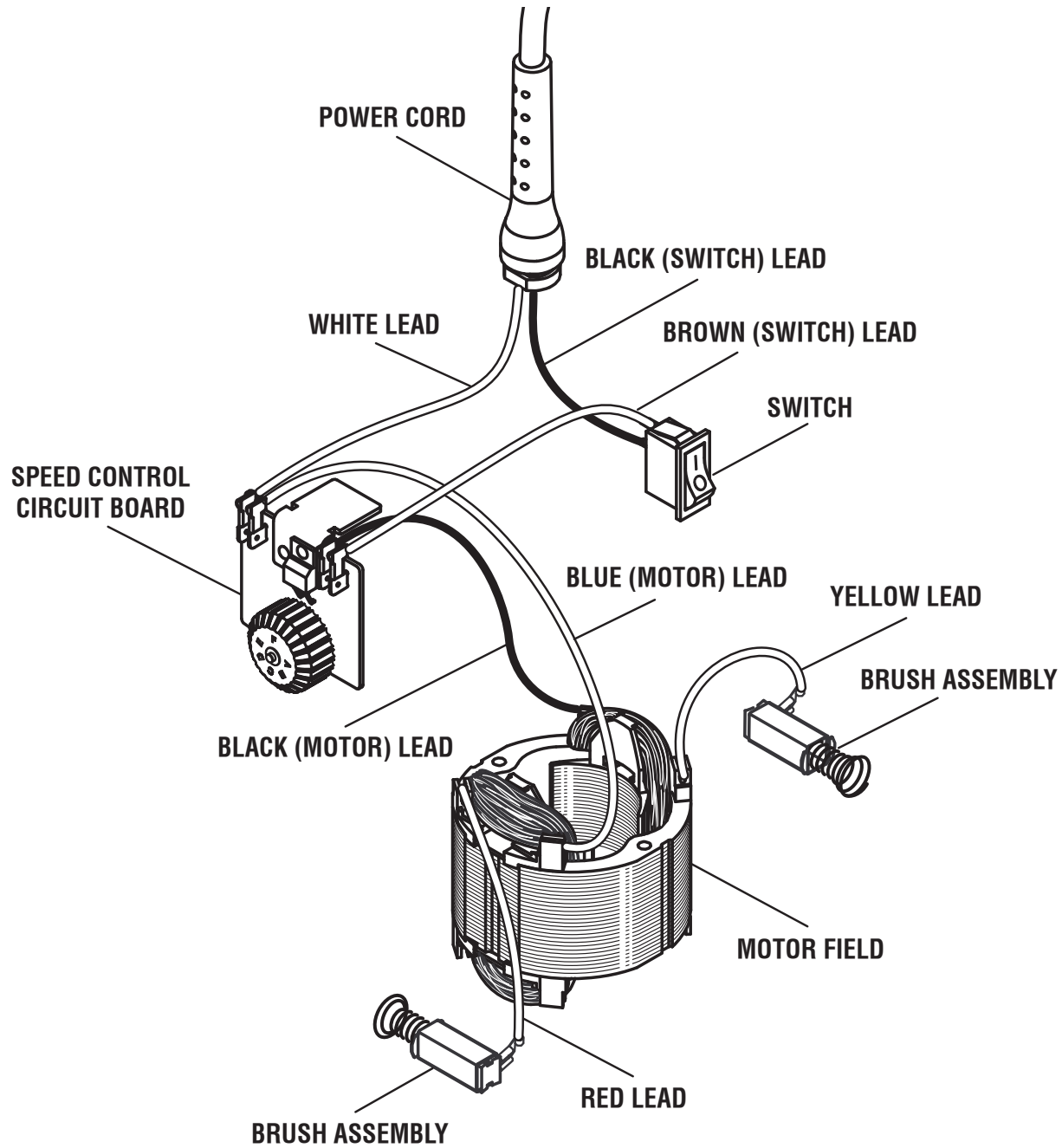
RYOBI PLUNGE BASE ROUTER MODEL NUMBER RE180PL1G

The model number will be found on a label attached to the motor housing. Always mention the model number in all correspondence regarding your **PLUNGE BASE ROUTER** or when ordering repair parts.

PARTS LIST

KEY NO.	PART NUMBER	DESCRIPTION	QTY	KEY NO.	PART NUMBER	DESCRIPTION	QTY
1	660161001	Screw (8-10 x 5/8 in. Pan Hd.).....	9	24	550849004	Plunge Lock Lever	1
2	380847001	Speed Control Cover	1	25	660284003	Screw (6-32 x 1/4 in., Pan Hd.).....	1
3	941001103	Scale Label	1	26	660309002	Screw (1/4-15 x 1-3/4 in., Pan Hd.).....	4
4	940114178	Logo Plate	1	27	300627004	Collet Assembly (1/2 in.).....	1
5	660155004	Screw (8-10 x 1-1/4 in., Pan Hd.)	1	28	670344002	Collet Adaptor (1/4 in.).....	1
6	300626015	Speed Control Assembly	1	29	660325001	Screw (8-32 x 3/8 in., Pan Hd.).....	2
7	290086016	Power Cord Assembly	1	30	630005001	Shaft Lock Cover Plate.....	1
8	760357001	Rocker Switch	1	31	670342001	Shaft Lock Pin	1
9	290061053	Lead w/Terminals.....	1	32	690141001	Shaft Lock Spring	1
10	202948001	Housing Assembly	1	33	551031004	Lock Knob	1
11	550408001	Stator Pad.....	1	34	660163002	Hex Nut (3/8-16)	3
12	941121221	Data Label	1	35	670341001	Depth Adjusting Rod	1
13	680966003	Ball Bearing	1	36	300524002	Bellows Assembly.....	2
14	290147027	Motor Assembly.....	1	37	200240001	Depth Stop Knob.....	1
15	290069048	Brush Assembly.....	2	38	380852001	Gage Cap	1
16	550853001	Brush Cap.....	2	39	550848002	Chip Shield	1
17	380855001	Pointer	1	40	300624005	Base.....	1
18	620168001	Stop Bar.....	1	41	550850001	Subbase.....	1
19	560746001	O-Ring	2	Not Shown:			
20	680370001	Retaining Ring	1	670346001	Wrench		
21	670343001	Spring Washer	1	983000448	Operator's Manual (961152269)		
22	202949001	Bearing Frame	1	9-24-14			
23	671801001	Plunge Lock Screw.....	1	(Rev:02)			

RYOBI PLUNGE BASE ROUTER MODEL NUMBER RE180PL1G



WIRING DIAGRAM