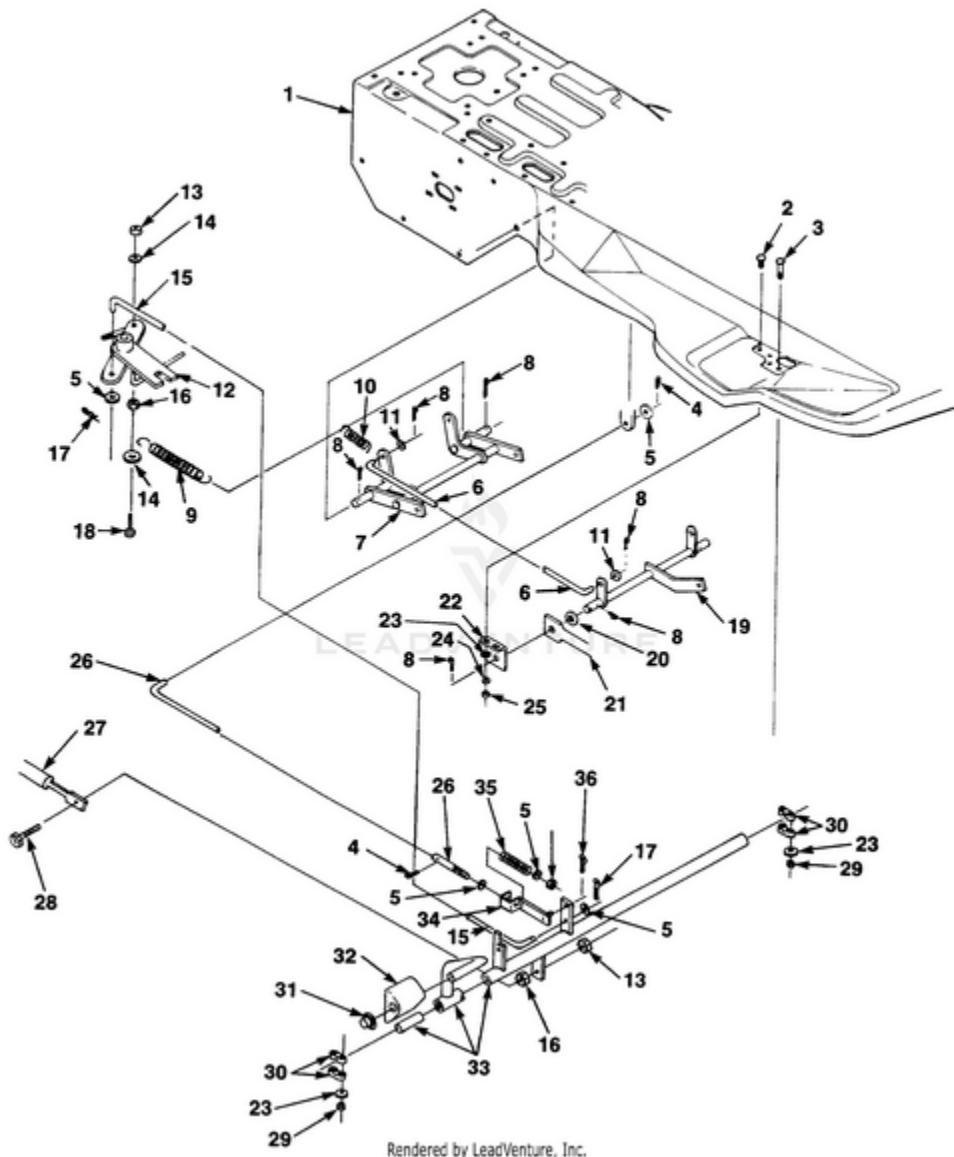
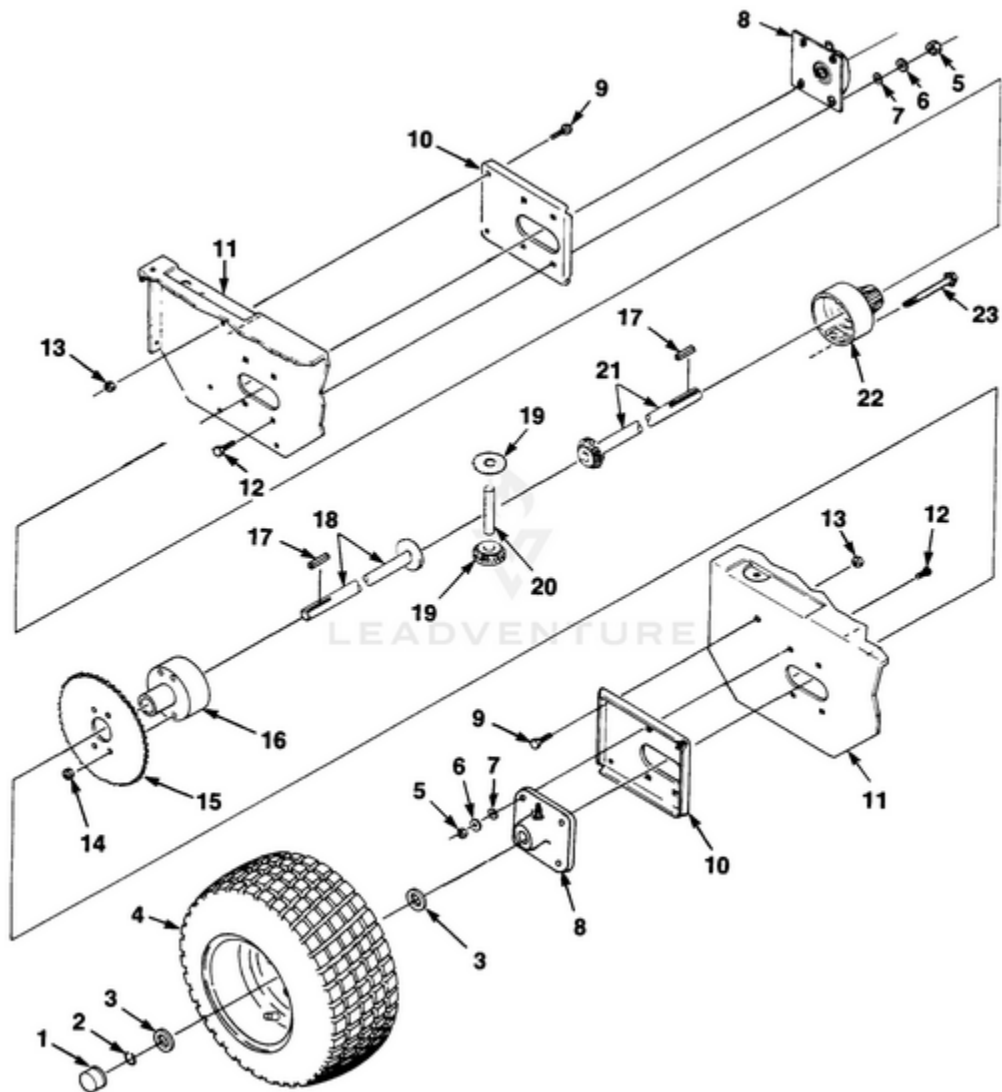


RE1030ECKD Riding Mower UT-32037 - Clutch And Brake



| <b>Ref #</b> | <b>Part #</b> | <b>Description</b>        | <b>Qty</b> | <b>Context Note</b> |
|--------------|---------------|---------------------------|------------|---------------------|
| 1            | JA994428      | FRAME                     | 1          |                     |
| 2            | JA441664      | NLA(NO LONGER AVAILABLE)  | 4          |                     |
| 3            | JA440050      | BOLT- 1/4-20 x 1 1/2      | 4          |                     |
| 4            | JA460016      | PIN- Cotter               | 2          |                     |
| 5            | JA453009      | Superseded by UP07173     | 5          |                     |
| 6            | JA993945      | ROD- Deck lift            | 1          |                     |
| 7            | JA994551      |                           | 1          |                     |
| 8            | JA460212      | NLA(NO LONGER AVAILABLE)  | 8          |                     |
| 9            | JA376088      | NLA(NO LONGER AVAILABLE)  | 1          |                     |
| 10           | JA990983      | NLA(NO LONGER AVAILABLE)  | 1          |                     |
| 11           | JA453011      | Superseded by PS84010     | 2          |                     |
| 12           | JA994909      |                           | 1          |                     |
| 13           | JA444718      | NLA(NO LONGER AVAILABLE)  | 4          |                     |
| 14           | JA452006      | NLA(NO LONGER AVAILABLE)  | 2          |                     |
| 15           | JA994792      |                           | 1          |                     |
| 16           | JA443106      | Superseded by 81018       | 3          |                     |
| 17           | JA460026      | PIN- Cotter 1/8 x 3/4     | 2          |                     |
| 18           | JA400198      | Superseded by UP03452     | 1          |                     |
| 19           | JA994908      |                           | 1          |                     |
| 20           | JA453017      | NLA(NO LONGER AVAILABLE)  | 2          |                     |
| 21           | JA990507      | SUPPORT- Front axle       | 2          |                     |
| 22           | JA994590      |                           | 2          |                     |
| 23           | JA452004      | Superseded by 84026       | 8          |                     |
| 24           | JA446130      | NLA(NO LONGER AVAILABLE)  | 4          |                     |
| 25           | JA443102      | Superseded by JA993730    | 4          |                     |
| 26           | JA994580      |                           | 1          |                     |
| 27           | JA991444      | NLA(NO LONGER AVAILABLE)  | 1          |                     |
| 28           | JA400192      | SCREW- (5/16-18 x 1 1/2") | 2          |                     |
| 29           | JA444708      | Nut - hex 1/4-20 lock     | 4          |                     |
| 30           | JA339461      | BEARING                   | 4          |                     |
| 31           | JA375810      | NUT- Push                 | 1          |                     |
| 32           | JA345020      | PEDAL- Rubber             | 1          |                     |
| 33           | JA994906      |                           | 1          |                     |
| 34           | JA994346      | BRACKET- Brake Spring     | 1          |                     |
| 35           | JA376102      | SPRING- Comp Brake        | 1          |                     |
| 36           | JA460008      | PIN- Cotter               | 1          |                     |

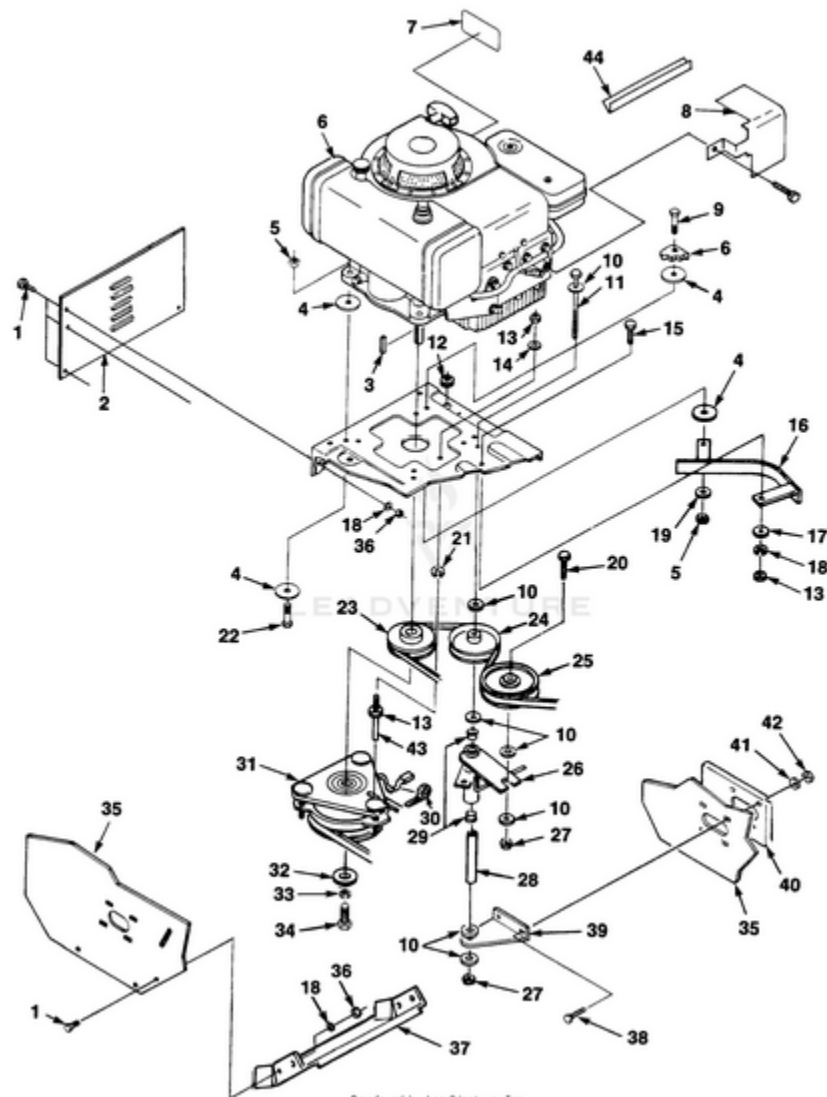
RE1030ECKD Riding Mower UT-32037 - Differential



Rendered by LeadVenture, Inc.

| Ref # | Part #    | Description              | Qty | Context | Note |
|-------|-----------|--------------------------|-----|---------|------|
| 1     | JA376090  | NLA(NO LONGER AVAILABLE) | 2   |         |      |
| 2     | JA458038  | RING- Retaining          | 2   |         |      |
| 3     | JA313820  | SPACER- Axle             | A/R |         |      |
| 4     | JA994750  | NLA(NO LONGER AVAILABLE) | 2   |         |      |
| 5     | JA 444762 | Nut (Hex Locking)        | 8   |         |      |
| 6     | JA446142  | NLA(NO LONGER AVAILABLE) | 8   |         |      |
| 7     | JA453011  | Superseded by PS84010    | 8   |         |      |
| 8     | JA992654  | BEARING                  | 2   |         |      |
| 9     | JA400106  | SCREW                    | 4   |         |      |
| 10    | JA993952  | SUPPORT- Frame           | 2   |         |      |
| 11    | JA994428  | FRAME                    | 1   |         |      |
| 12    | JA400262  | USE 80095                | 8   |         |      |
| 13    | JA444708  | Nut - hex 1/4-20 lock    | 4   |         |      |
| 14    | JA444718  | NLA(NO LONGER AVAILABLE) | 4   |         |      |
| 15    | JA994677  |                          | 1   |         |      |
| 16    | JA994671  | NLA(NO LONGER AVAILABLE) | 1   |         |      |
| 17    | JA310611  | NLA(NO LONGER AVAILABLE) | 2   |         |      |
| 18    | JA994674  | AXLE GEAR(RE-830) TBO    | 1   |         |      |
| 19    | JA994676  | NLA(NO LONGER AVAILABLE) | 2   |         |      |
| 20    | JA994675  |                          | 1   |         |      |
| 21    | JA994673  | NLA(NO LONGER AVAILABLE) | 1   |         |      |
| 22    | JA994672  | NLA(NO LONGER AVAILABLE) | 1   |         |      |
| 23    | JA400206  |                          | 4   |         |      |

RE1030ECKD Riding Mower UT-32037 - Engine And Drive



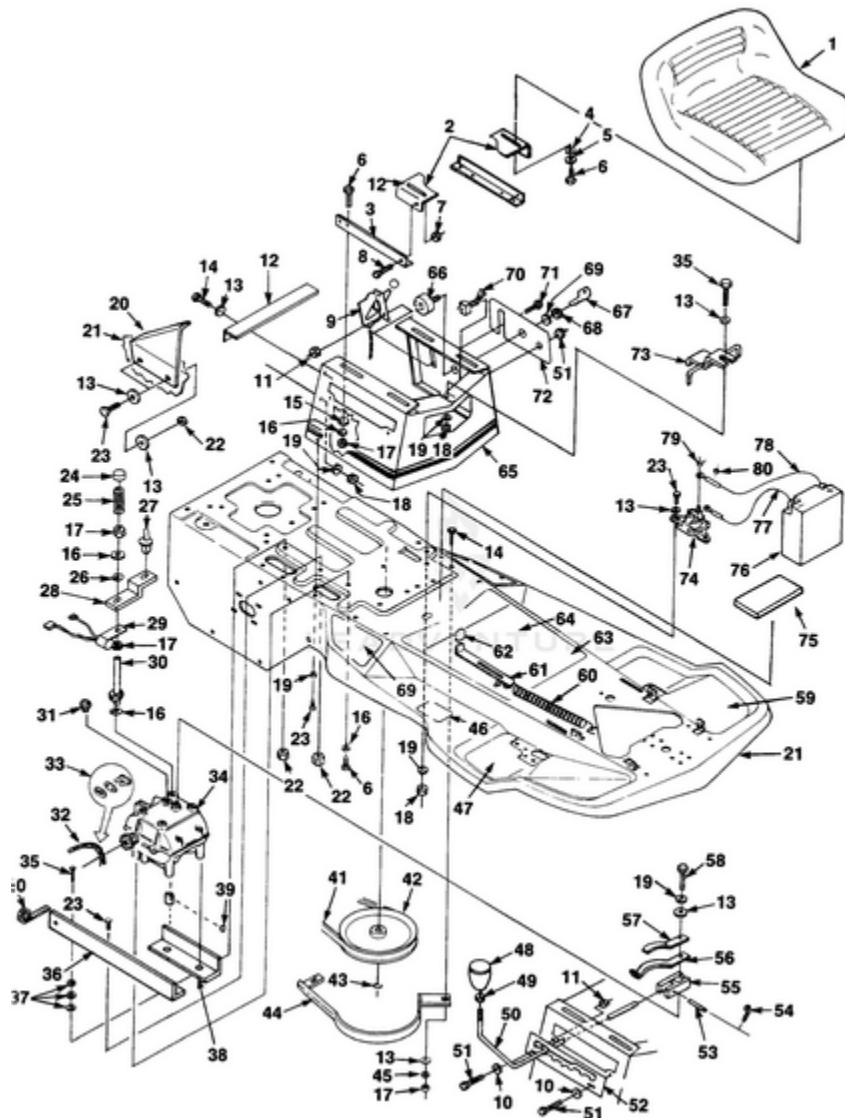
| Ref # | Part #    | Description                    | Qty | Context Note  |
|-------|-----------|--------------------------------|-----|---|
| 1     | JA400106  | SCREW                          | 10  |   |
| 2     | JA993823  | PANEL- Rear                    | 1   |   |
| 3     | JA992867  | NLA(NO<br>LONGER<br>AVAILABLE) | 1   |   |
| 4     | JA350929  | NLA(NO<br>LONGER<br>AVAILABLE) | 8   |   |
| 5     | JA444718  | NLA(NO<br>LONGER<br>AVAILABLE) | 4   |   |
| 6     |           |                                | 1   | For engine replacement parts locate the engine brand name, model number, and type number and consult the appropriate dealer In your area. |
| 7     | JA992354  | NLA(NO<br>LONGER<br>AVAILABLE) | 1   |   |
| 8     | JA992168  |                                | 1   | (RE830 & RE830E)  |
|       | JA992169  | HEAT SHIELD                    | 1   | (RE1030E, RE1030E-CKD, RE1230E & RE1230E-CKD)   |
| 9     | JA 400194 | SCREW- (5/16-18<br>x 1 3/4")   | 1   |   |
| 10    | JA 452008 | WASHER- Flat<br>(3/8")         | 7   |   |
| 11    | JA400282  |                                | 1   |   |
| 12    | JA991427  | GROMMET                        | 1   |   |
| 13    | JA443106  | Superseded by<br>81018         | 3   |   |
| 14    | JA453009  | Superseded by<br>UP07173       | 1   |   |
| 15    | JA400108  | USE 80052                      | 1   |   |
| 16    | JA993949  | NLA(NO<br>LONGER<br>AVAILABLE) | 1   |   |
| 17    | JA452004  | Superseded by<br>84026         | 1   |   |
| 18    | JA446130  | NLA(NO<br>LONGER<br>AVAILABLE) | 11  |   |
| 19    | JA452006  | NLA(NO<br>LONGER<br>AVAILABLE) | 1   |   |
| 20    | JA400268  | Superseded by<br>UP07178       | 1   |   |

| Ref # | Part #    | Description                    | Qty | Context Note |
|-------|-----------|--------------------------------|-----|--------------|
| 21    | JA446134  | USE UP03407                    | 1   |              |
| 22    | JA400192  | SCREW- (5/16-18<br>x 1 1/2")   | 3   |              |
| 23    | JA990728  | PULLEY- Engine                 | 1   |              |
| 24    | JA990727  | PULLEY- Idler                  | 1   |              |
| 25    | JA990679  | NLA(NO<br>LONGER<br>AVAILABLE) | 1   |              |
| 26    | JA994909  |                                | 1   |              |
| 27    | JA 444762 | Nut (Hex Locking)              | 2   |              |
| 28    | JA994665  |                                | 1   |              |
| 29    | JA990733  | NLA(NO<br>LONGER<br>AVAILABLE) | 2   |              |
| 30    | JA991636  | NLA(NO<br>LONGER<br>AVAILABLE) | 1   |              |
| 31    | JA990977  | NLA(NO<br>LONGER<br>AVAILABLE) | 1   |              |
| 32    | JA990128  | NLA(NO<br>LONGER<br>AVAILABLE) | 1   |              |
| 33    | JA446148  | NLA(NO<br>LONGER<br>AVAILABLE) | 1   |              |
| 34    | JA400384  | NLA(NO<br>LONGER<br>AVAILABLE) | 1   |              |
| 35    | JA994428  | FRAME                          | 1   |              |
| 36    | JA443102  | Superseded by<br>JA993730      | 10  |              |
| 37    | JA993933  | PAN-Bottom                     | 1   |              |
| 38    | JA441664  | NLA(NO<br>LONGER<br>AVAILABLE) | 2   |              |
| 39    | JA994688  |                                | 1   |              |
| 40    | JA993952  | SUPPORT- Frame                 | 2   |              |
| 41    | JA446128  | Superseded by<br>UP03409       | 2   |              |
| 42    | JA444708  | Nut - hex 1/4-20<br>lock       | 2   |              |
| 43    | JA990979  | NLA(NO<br>LONGER<br>AVAILABLE) | 1   |              |

| <b>Ref #</b> | <b>Part #</b> | <b>Description</b> | <b>Qty</b> | <b>Context Note</b> |
|--------------|---------------|--------------------|------------|---------------------|
| 44           | JA357995      | TROUGH             | 1          |                     |



RE1030ECKD Riding Mower UT-32037 - Frame



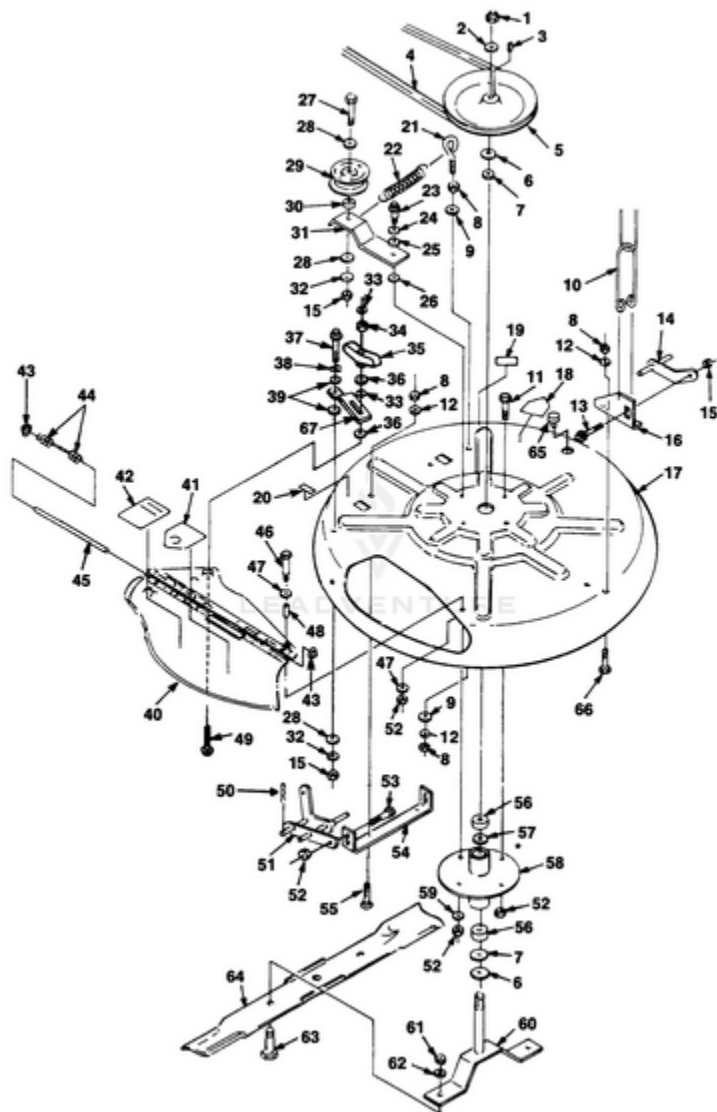
Rendered by LeadVenture, Inc.

| <b>Ref #</b> | <b>Part #</b> | <b>Description</b>         | <b>Qty</b> | <b>Context Note</b> |
|--------------|---------------|----------------------------|------------|---------------------|
| 1            | JA994841      |                            | 1          |                     |
| 2            | JA993926      | BRACKET- Seat              | 1          |                     |
| 3            | JA993924      | SEAT RAIL                  | 2          |                     |
| 4            | JA452006      | NLA(NO LONGER AVAILABLE)   | 4          |                     |
| 5            | JA446136      | Superseded by UP03791      | 4          |                     |
| 6            | JA400184      | Superseded by UP03381      | 12         |                     |
| 7            | JA444718      | NLA(NO LONGER AVAILABLE)   | 2          |                     |
| 8            | JA375431      | NLA(NO LONGER AVAILABLE)   | 2          |                     |
| 9            | JA992098      | NLA(NO LONGER AVAILABLE)   | 1          |                     |
| 10           | JA452002      | WASHER                     | 2          |                     |
| 11           | JA444782      | NUT-TBO                    | 4          |                     |
| 12           | JA993928      | BRACKET- Reinforcement     | 1          |                     |
| 13           | JA452004      | Superseded by 84026        | 11         |                     |
| 14           | JA400108      | USE 80052                  | 4          |                     |
| 15           | JA453009      | Superseded by UP07173      | 4          |                     |
| 16           | JA446134      | USE UP03407                | 10         |                     |
| 17           | JA443106      | Superseded by 81018        | 9          |                     |
| 18           | JA443102      | Superseded by JA993730     | 5          |                     |
| 19           | JA446128      | Superseded by UP03409      | 10         |                     |
| 20           | JA993932      | BRACKET- Chain guard       | 1          |                     |
| 21           | JA994428      | FRAME                      | 1          |                     |
| 22           | JA444708      | Nut - hex 1/4-20 lock      | 4          |                     |
| 23           | JA400106      | SCREW                      | 9          |                     |
| 24           | JA994765      |                            | 1          |                     |
| 25           | JA359266      | NLA(NO LONGER AVAILABLE)   | 1          |                     |
| 26           | JA992007      | RETAINER- Spring           | 1          |                     |
| 27           | JA991513      | NLA(NO LONGER AVAILABLE)   | 1          |                     |
| 28           | JA994034      | BRACKET- Transmission      | 1          |                     |
| 29           | JA991077      | NEUTRAL START (Safety Mod) | 1          |                     |
| 30           | JA993027      | STUD- 5/16-18              | 1          |                     |
| 31           | JA990981      | NLA(NO LONGER AVAILABLE)   | 1          |                     |
| 32           | JA990739      | NLA(NO LONGER AVAILABLE)   | 1          |                     |
| 33           | JA470502      | NLA(NO LONGER AVAILABLE)   | 1          |                     |

| Ref # | Part #   | Description                        | Qty | Context Note |
|-------|----------|------------------------------------|-----|--------------|
| 34    | JA990222 | TRANSMISSION- Peerless<br>Tecumseh | 1   |              |
| 35    | JA400112 | Superseded by UP04158              | 2   |              |
| 36    | JA993954 | ANGLE- Long                        | 1   |              |
| 37    | JA993025 | WASHER                             | 3   |              |
| 38    | JA994510 |                                    | 1   |              |
| 39    | JA463017 | KEY (#9) 3/16 x 3/4                | 1   |              |
| 40    | JA991636 | NLA(NO LONGER<br>AVAILABLE)        | 1   |              |
| 41    | JA990738 | BELT TBO                           | 1   |              |
| 42    | JA392593 | NLA(NO LONGER<br>AVAILABLE)        | 1   |              |
| 43    | JA458009 | RING- Retaining                    | 1   |              |
| 44    | JA993951 | BELT GUIDE- Transmission           | 1   |              |
| 45    | JA446130 | NLA(NO LONGER<br>AVAILABLE)        | 2   |              |
| 46    | JA339568 | FOOTPAD                            | 2   |              |
| 47    | JA339514 | NLA(NO LONGER<br>AVAILABLE)        | 1   |              |
| 48    | JA991845 | KNOB- Shift lever                  | 1   |              |
| 49    | JA443812 | NUT- Hex jam 3/8-24                | 1   |              |
| 50    | JA994035 | NLA(NO LONGER<br>AVAILABLE)        | 1   |              |
| 51    | JA403744 | SCREW 10-24 x 1/2                  | 2   |              |
| 52    | JA992013 | PLATE- Shift                       | 1   |              |
| 53    | JA461383 | NLA(NO LONGER<br>AVAILABLE)        | 1   |              |
| 54    | JA460212 | NLA(NO LONGER<br>AVAILABLE)        | 1   |              |
| 55    | JA991848 | BRACKET- Pivot                     | 1   |              |
| 56    | JA991843 | NLA(NO LONGER<br>AVAILABLE)        | 1   |              |
| 57    | JA991839 | SPRING LEAF                        | 1   |              |
| 58    | JA400148 | SCREW- Hex hd 1/4-28 x 7/8         | 1   |              |
| 59    | JA339513 | FOOT REST (left hand)              | 1   |              |
| 60    | JA991442 | NLA(NO LONGER<br>AVAILABLE)        | 1   |              |
| 61    | JA375859 | LATCHING- Parking brake            | 1   |              |
| 62    | JA375987 | KNOB- Latch                        | 1   |              |
| 63    | JA994660 |                                    | 1   |              |
| 64    | JA994650 | NLA(NO LONGER<br>AVAILABLE)        | 1   |              |
| 65    | JA992479 | SUPPORT- Seat                      | 1   |              |

| Ref # | Part #   | Description              | Qty | Context Note                                |
|-------|----------|--------------------------|-----|---|
| 66    | JA130666 | SWITCH- Ignition         | 1   | (RE830)                                     |
|       | JA130412 | NLA(NO LONGER AVAILABLE) | 1   |   |
| 67    | JA343060 | NLA(NO LONGER AVAILABLE) | 1   |   |
| 68    | JA549343 | NLA(NO LONGER AVAILABLE) | 1   |   |
| 69    | JA447224 | NLA(NO LONGER AVAILABLE) | 1   |   |
| 70    | JA990135 | Superseded by UP06659    | 1   |   |
| 71    | JA403910 | SCREW- (10-24 x 1/2")    | 2   |   |
| 72    | JA994786 | NLA(NO LONGER AVAILABLE) | 1   | (RE830)                                     |
|       | JA994785 |                          | 1   | (RE830E, RE1030E, RE1030E-CKD, RE1230E-CKD) |
| 73    | JA994368 |                          | 1   |   |
| 74    | JA995590 | NLA(NO LONGER AVAILABLE) | 1   |   |
| 75    | JA991507 | BATTERY PAD              | 1   |   |
| 76    | JA994414 |                          | 1   |   |
| 77    | JA992201 | BATTERY CABLE- Ground    | 1   |   |
| 78    | JA994415 |                          | 1   |   |
| 79    | JA443802 | NUT- (1/4-20)            | 2   |   |
| 80    | JA444306 | NUT- Mach (8-32)         | 4   |   |

RE1030ECKD Riding Mower UT-32037 - Mower

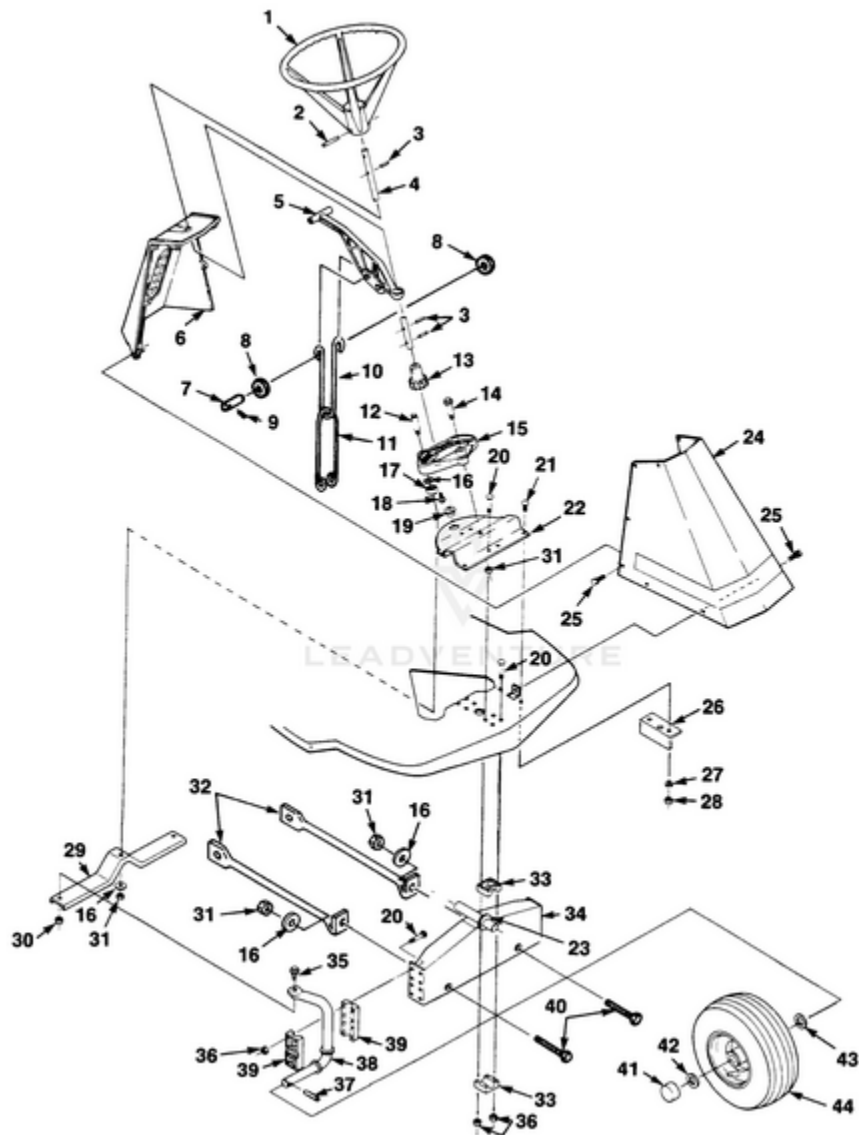


Rendered by LeadVenture, Inc.

| Ref # | Part #    | Description              | Qty | Context | Note |
|-------|-----------|--------------------------|-----|---------|------|
| 1     | JA445783  | NLA(NO LONGER AVAILABLE) | 1   |         |      |
| 2     | JA453022  | WASHER- Flat (3/4")      | 1   |         |      |
| 3     | JA321292  | NLA(NO LONGER AVAILABLE) | 1   |         |      |
| 4     | JA991488  | NLA(NO LONGER AVAILABLE) | 1   |         |      |
| 5     | JA330023  | NLA(NO LONGER AVAILABLE) | 1   |         |      |
| 6     | JA991497  | NLA(NO LONGER AVAILABLE) | 2   |         |      |
| 7     | JA455055  | NLA(NO LONGER AVAILABLE) | 2   |         |      |
| 8     | JA444708  | Nut - hex 1/4-20 lock    | 6   |         |      |
| 9     | JA455024  | WASHER- Plain (1/4")     | 2   |         |      |
| 10    | JA990269  | LINK- Lower front lift   | 1   |         |      |
| 11    | JA400184  | Superseded by UP03381    | 3   |         |      |
| 12    | JA446130  | NLA(NO LONGER AVAILABLE) | 5   |         |      |
| 13    | JA376007  | NLA(NO LONGER AVAILABLE) | 1   |         |      |
| 14    | JA994908  |                          | 1   |         |      |
| 15    | JA 444762 | Nut (Hex Locking)        | 3   |         |      |
| 16    | JA339492  | BRACKET- Front lift      | 1   |         |      |
| 17    | JA991572  | NLA(NO LONGER AVAILABLE) | 1   |         |      |
| 18    | JA992264  | NLA(NO LONGER AVAILABLE) | 1   |         |      |
| 19    | JA339566  | DECAL- No step           | 1   |         |      |
| 20    | JA994328  | DECAL- Warning           | 1   |         |      |
| 21    | JA354532  | Eyebolt                  | 1   |         |      |
| 22    | JA990983  | NLA(NO LONGER AVAILABLE) | 1   |         |      |
| 23    | JA400190  | NLA(NO LONGER AVAILABLE) | 1   |         |      |
| 24    | JA350929  | NLA(NO LONGER AVAILABLE) | 1   |         |      |
| 25    | JA991504  | NLA(NO LONGER AVAILABLE) | 1   |         |      |
| 26    | JA453032  | WASHER- Idler arm        | 1   |         |      |
| 27    | JA400274  | NLA(NO LONGER AVAILABLE) | 1   |         |      |
| 28    | JA 452008 | WASHER- Flat (3/8")      | 3   |         |      |
| 29    | JA990824  | NLA(NO LONGER AVAILABLE) | 1   |         |      |
| 30    | JA992229  | NLA(NO LONGER AVAILABLE) | 1   |         |      |
| 31    | JA991598  | NLA(NO LONGER AVAILABLE) | 1   |         |      |
| 32    | JA446140  | USE UP07435              | 2   |         |      |
| 33    | JA445272  | NUT- Speed               | 2   |         |      |
| 34    | JA445784  | NLA(NO LONGER AVAILABLE) | 1   |         |      |
| 35    | JA339550  | HANDLE KNOB-TBO          | 1   |         |      |
| 36    | JA452004  | Superseded by 84026      | 2   |         |      |
| 37    | JA376094  | NLA(NO LONGER AVAILABLE) | 1   |         |      |
| 38    | JA454020  | NLA(NO LONGER AVAILABLE) | 1   |         |      |
| 39    | JA453017  | NLA(NO LONGER AVAILABLE) | 2   |         |      |
| 40    | JA993818  | NLA(NO LONGER AVAILABLE) | 1   |         |      |
| 41    | JA992264  | NLA(NO LONGER AVAILABLE) | 1   |         |      |

| Ref # | Part #    | Description                           | Qty | Context Note |
|-------|-----------|---------------------------------------|-----|--------------|
| 42    | JA994091  | DECAL - Door Warning                  | 1   |              |
| 43    | JA445516  | NLA(NO LONGER AVAILABLE)              | 2   |              |
| 44    | JA991701  | SPRING- Torsion                       | 1   |              |
| 45    | JA991703  | NLA(NO LONGER AVAILABLE)              | 1   |              |
| 46    | JA 400182 | SCREW- Hex center lock 5/16-18 x 5/8" | 1   |              |
| 47    | JA453009  | Superseded by UP07173                 | 2   |              |
| 48    | JA991744  | SPACER                                | 1   |              |
| 49    | JA441668  | BOLT- (1/4 x 1 1/4")                  | 1   |              |
| 50    | JA460212  | NLA(NO LONGER AVAILABLE)              | 3   |              |
| 51    | JA994551  |                                       | 1   |              |
| 52    | JA444718  | NLA(NO LONGER AVAILABLE)              | 7   |              |
| 53    | JA354480  | BOLT- 5/16-18                         | 2   |              |
| 54    | JA990508  | NLA(NO LONGER AVAILABLE)              | 1   |              |
| 55    | JA400108  | USE 80052                             | 2   |              |
| 56    | JA375882  | BEARING TBO                           | 2   |              |
| 57    | JA376076  | NLA(NO LONGER AVAILABLE)              | 1   |              |
| 58    | JA992152  | HOUSING- Spindle                      | 1   |              |
| 59    | JA446136  | Superseded by UP03791                 | 1   |              |
| 60    | JA991597  | SPINDLE & ADAPTER                     | 1   |              |
| 61    | JA 444758 | Nut (Hex Locking)                     | 2   |              |
| 62    | JA446154  | NLA(NO LONGER AVAILABLE)              | 2   |              |
| 63    | JA408803  | NLA(NO LONGER AVAILABLE)              | 2   |              |
| 64    | JA991659  | Superseded by UP06686                 | 1   |              |
| 65    | JA518990  | Superseded by JA994410                | 1   |              |
| 66    | JA400106  | SCREW                                 | 2   |              |
| 67    | JA991519  | ARM- Pivot                            | 1   |              |

RE1030ECKD Riding Mower UT-32037 - Steering And Mower Lift



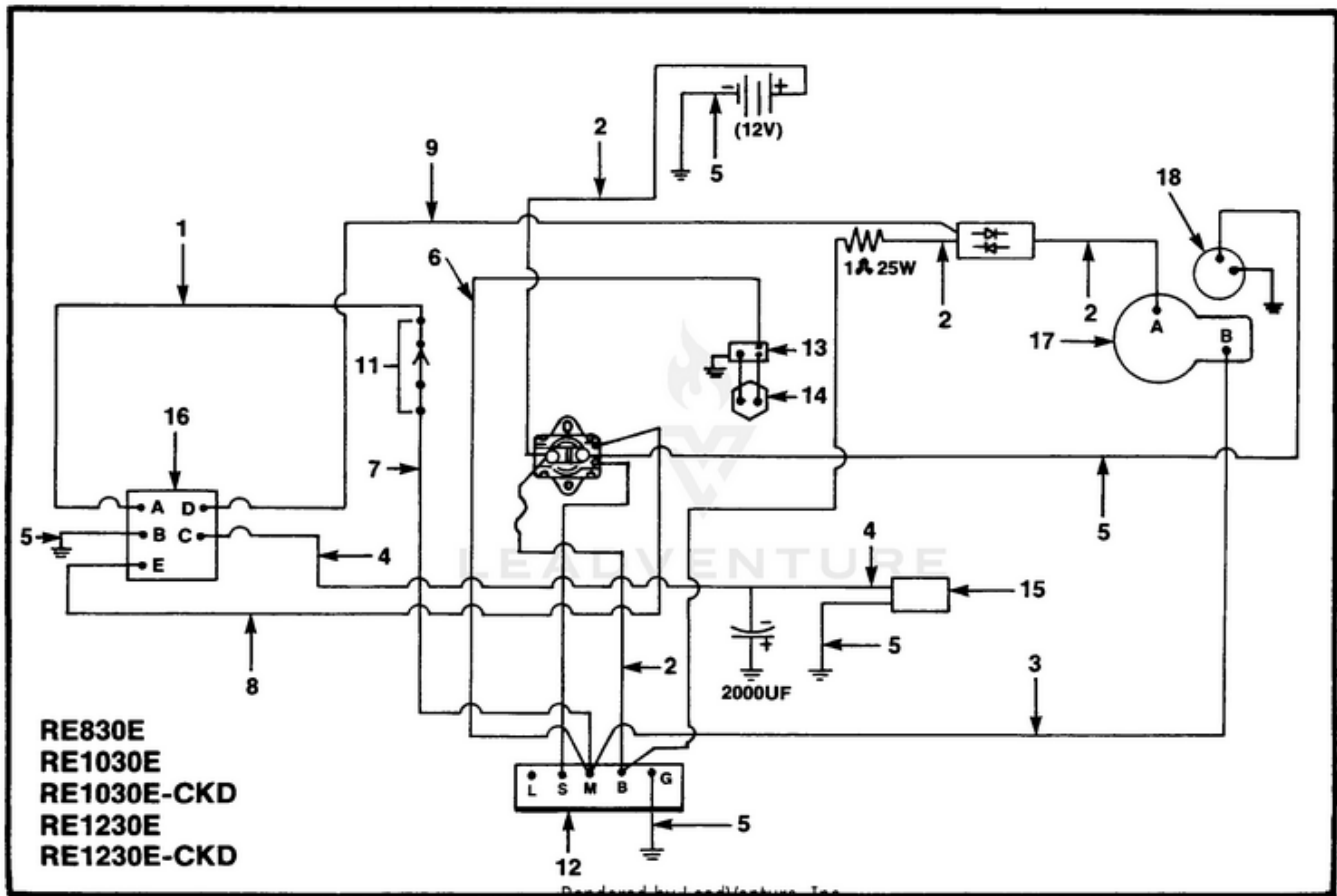
Rendered by LeadVenture, Inc.



| Ref # | Part #    | Description                | Qty | Context Note |
|-------|-----------|----------------------------|-----|--------------|
| 1     | JA336146  | NLA(NO LONGER AVAILABLE)   | 1   |              |
| 2     | JA461393  | NLA(NO LONGER AVAILABLE)   | 1   |              |
| 3     | JA461346  | NLA(NO LONGER AVAILABLE)   | 3   |              |
| 4     | JA375802  | NLA(NO LONGER AVAILABLE)   | 1   |              |
| 5     | JA330001  | NLA(NO LONGER AVAILABLE)   | 1   |              |
| 6     | JA991501  | NLA(NO LONGER AVAILABLE)   | 1   |              |
| 7     | JA990429  | PIN- Retainer              | 1   |              |
| 8     | JA453017  | NLA(NO LONGER AVAILABLE)   | 2   |              |
| 9     | JA460026  | PIN- Cotter 1/8 x 3/4      | 2   |              |
| 10    | JA990219  | LINK- Front Lift           | 1   |              |
| 11    | JA990269  | LINK- Lower front lift     | 1   |              |
| 12    | JA994903  |                            | 1   |              |
| 13    | JA339488  | PINION- Steering           | 1   |              |
| 14    | JA376007  | NLA(NO LONGER AVAILABLE)   | 1   |              |
| 15    | JA229622  | NLA(NO LONGER AVAILABLE)   | 1   |              |
| 16    | JA453011  | Superseded by PS84010      | 4   |              |
| 17    | JA375835  | NLA(NO LONGER AVAILABLE)   | 1   |              |
| 18    | JA409907  | NLA(NO LONGER AVAILABLE)   | 1   |              |
| 19    | JA354130  | NLA(NO LONGER AVAILABLE)   | 1   |              |
| 20    | JA440052  | BOLT- 1/4-20 x 1 3/4 Carr. | 16  |              |
| 21    | JA441606  | NLA(NO LONGER AVAILABLE)   | 4   |              |
| 22    | JA994511  | NLA(NO LONGER AVAILABLE)   | 1   |              |
| 23    | JA453022  | WASHER- Flat (3/4")        | 1   |              |
| 24    | JA993912  | SUPPORT- Steering          | 1   |              |
| 25    | JA375978  | NLA(NO LONGER AVAILABLE)   | 12  |              |
| 26    | JA994512  |                            | 2   |              |
| 27    | JA446130  | NLA(NO LONGER AVAILABLE)   | 4   |              |
| 28    | JA443102  | Superseded by JA993730     | 4   |              |
| 29    | JA994513  | NLA(NO LONGER AVAILABLE)   | 1   |              |
| 30    | JA444718  | NLA(NO LONGER AVAILABLE)   | 2   |              |
| 31    | JA 444762 | Nut (Hex Locking)          | 4   |              |
| 32    | JA990507  | SUPPORT- Front axle        | 2   |              |
| 33    | JA339462  | NLA(NO LONGER AVAILABLE)   | 4   |              |
| 34    | JA994520  | NLA(NO LONGER AVAILABLE)   | 1   |              |
| 35    | JA354480  | BOLT- 5/16-18              | 2   |              |
| 36    | JA444708  | Nut - hex 1/4-20 lock      | 16  |              |
| 37    | JA461418  | Superseded by 70763        | 2   |              |
| 38    | JA994530  |                            | 1   |              |
|       | JA994540  |                            | 1   |              |
| 39    | JA339465  | NLA(NO LONGER AVAILABLE)   | 4   |              |
| 40    | JA400256  | SCREW- 3/8-16 x 5/8        | 2   |              |

| <b>Ref #</b> | <b>Part #</b> | <b>Description</b>       | <b>Qty</b> | <b>Context Note</b> |
|--------------|---------------|--------------------------|------------|---------------------|
| 41           | JA994764      | NLA(NO LONGER AVAILABLE) | 2          |                     |
| 42           | JA302458      | SPACER                   | 2          |                     |
| 43           | JA994839      | NLA(NO LONGER AVAILABLE) | 2          |                     |
| 44           | JA455055      | NLA(NO LONGER AVAILABLE) | 2          |                     |

RE1030ECKD Riding Mower UT-32037 - Wiring Diagram



Rendered by LeadAdventure, Inc.

| Ref # | Part # | Description         | Qty | Context | Note |
|-------|--------|---------------------|-----|---------|------|
| 1     |        | White/Yellow Stripe |     |         |      |
| 2     |        | Red                 |     |         |      |
| 3     |        | Brown               |     |         |      |
| 4     |        | Blue                |     |         |      |
| 5     |        | Black               |     |         |      |
| 6     |        | Violet              |     |         |      |
| 7     |        | Yellow              |     |         |      |
| 8     |        | Green               |     |         |      |
| 9     |        | Orange              |     |         |      |
| 11    |        | Seat Switch         |     |         |      |
| 12    |        | Ignition Switch     |     |         |      |
| 13    |        | Safety Module       |     |         |      |
| 14    |        | Neutral Switch      |     |         |      |
| 15    |        | PTO Clutch          |     |         |      |
| 16    |        | PTO Switch          |     |         |      |
| 17    |        | Engine              |     |         |      |
| A     |        | Alternator          |     |         |      |
| B     |        | Magneto             |     |         |      |
| 18    |        | Starter             |     |         |      |