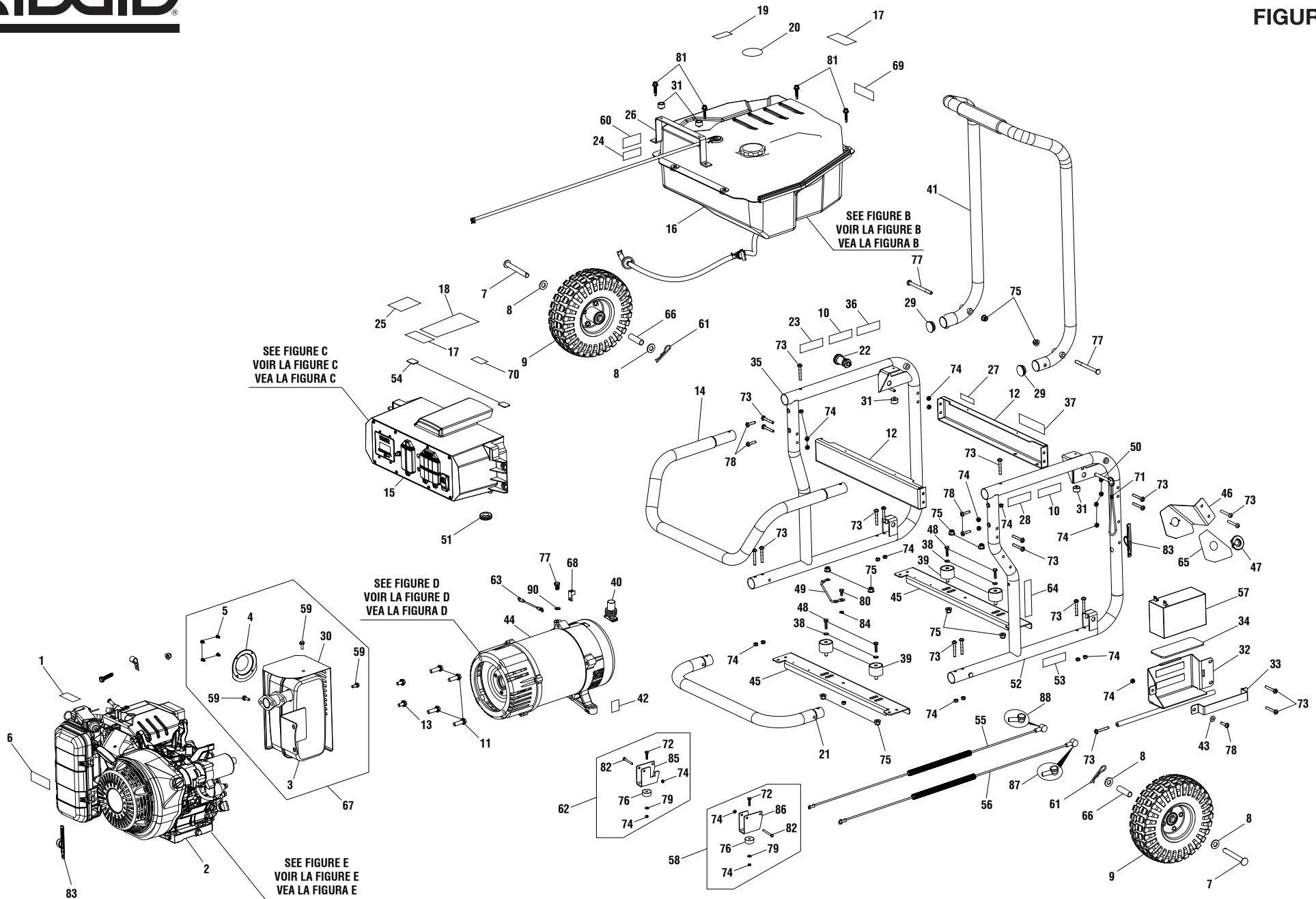


**RIDGID**  
**7000 Watt Generator**  
**Item No. RD9C7001P**  
**Replacement Parts List**

**RIDGID**  
**Générateur de 7 000 watts**  
**Article No. RD9C7001P**  
**Liste des pièces de rechange**

**RIDGID**  
**Generador 7 000 Watts**  
**Artículo No. RD9C7001P**  
**Lista de pieza de repuesto**





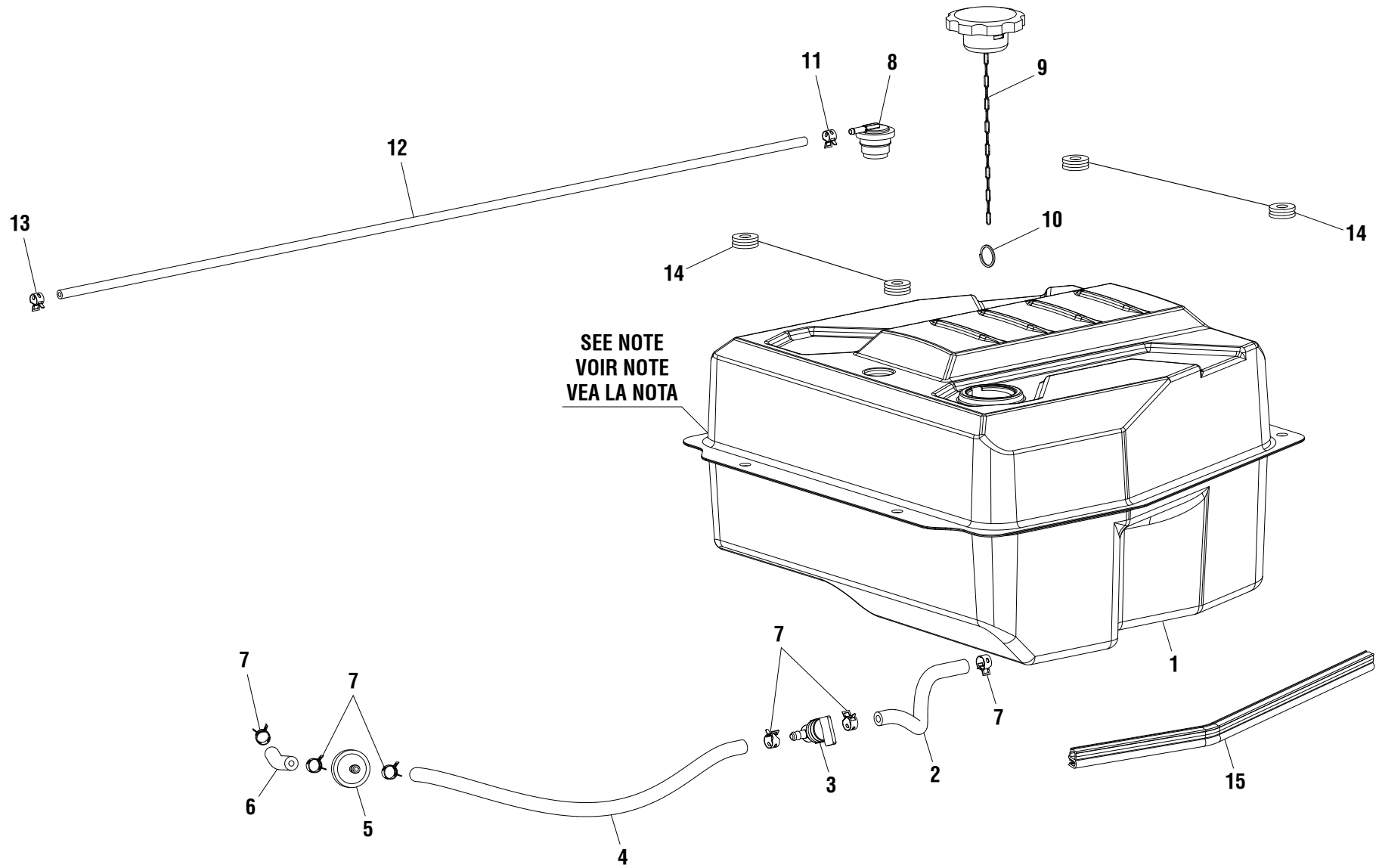
# RD9C7001P

## FIGURE A

KEY PART NO.	NUMBER	DESCRIPTION	QTY	KEY PART NO.	NUMBER	DESCRIPTION	QTY	KEY PART NO.	NUMBER	DESCRIPTION	QTY
1	940647033	Choke Label.....	1	32	308509004	Battery Box Assembly.....	1	61	310739011	Right Foot Assembly.....	1
2	Note A	Engine.....	1	33	308681009	Battery Bracket.....	1	63	290455004	Bonding Wire.....	1
3	309322037	Muffler.....	1	34	570630004	Gasket.....	2	64	940617144	Quick Start Label.....	1
4	638147003	Spark Arrester.....	1	35	308581158	Right Frame Assembly.....	1	65	940647104	Fuel Valve Label.....	1
5	661306001	Screw (8-32 x 3/8 in.).....	4	36	940758005	Pin Release Label.....	1	66	638498004	Axle Spacer.....	2
6	940605001	EMC Label.....	1	37	940513027	Ground Warning Label.....	1	67	309322038	Muffler Assembly.....	1
7	681866001	Axle.....	2	38	673155001	Washer (M8).....	4	68	638703003	Ground Lug.....	1
8	638275002	Washer (1/2 in.).....	4	39	570356012	Isolator.....	4	69	940654254	Warning Label.....	1
9	308451010	Wheel.....	2	40	570766004	Rubber Boot.....	1	70	940686052	Electric Start Label.....	1
10	940595002	Zero Gravity Label.....	2	41	310224066	Handle Assembly.....	1	71	308640002	Bungee Cord.....	1
11	660596002	Bolt (3/8-16 x 1.25 in.).....	4	42	940513002	Ground Label.....	1	72	660505033	Bolt (M6 x 50 mm, Hex Hd.).....	2
12	638959012	Crossbar (Fuel Tank).....	2	43	940678388	Data Label.....	1	73	661834004	Bolt (M6 x 42 mm, Torx Pan Hd.).....	23
13	660599002	Bolt (5/16-24 x 0.63 in.).....	2	44	310227059	Generator Head Assembly (See Figure D).....	1	74	678460009	Nut (M6).....	29
14	638221007	Front Frame (Top).....	1	45	638735036	Crossbar.....	2	75	678774012	Nut (M8).....	7
15	290403064	Control Panel Assembly (See Figure C).....	1	46	638702027	Bracket (Fuel Valve).....	1	76	570554001	Wear Pad.....	2
16	310711173	Fuel Tank (See Figure B).....	1	47	519813025	Fuel Valve Bezel.....	1	77	661851004	Bolt (M8 x 1.25 in.).....	2
17	940705168	Logo Label.....	1	48	660973017	Bolt (M8 x 35 mm, Hex Hd.).....	5	78	661834005	Bolt (M6 x 25 mm, Torx Pan Hd.).....	4
18	940705260	Performance Label.....	1	49	290404009	Ground Wire Assembly.....	1	79	673154002	Washer (M6).....	2
19	940872003	E85 Label.....	1	50	310712001	Release Pin.....	1	80	661505021	Bolt (M6 x 16 mm, Hex Hd.).....	2
20	940872006	Fuel Stabilizer Label.....	1	51	561383003	Grommet (16 mm).....	1	81	660901036	Screw (1/4-14 x 1.25 in.).....	4
21	524470007	Front Frame (Bottom).....	1	52	308581157	Left Frame Assembly.....	1	82	660505031	Bolt (M6 x 25 mm, Hex Hd.).....	1
22	308910001	Release Pin.....	1	53	940708019	Lubricant Label.....	1	83	519729001	J-Clamp.....	2
23	940974089	Fire Distance Label.....	1	54	570630003	Rubber Isolator.....	2	84	673157002	Washer (M6).....	1
24	940680027	Hot Surface Label.....	1	55	290418003	Battery Cable (Red).....	1	85	638706010	Right Foot.....	1
25	940515017	CPSC Label.....	1	56	290419005	Battery Cable (Black).....	1	86	638706009	Left Foot.....	1
26	638702006	Bracket (Control Panel Box).....	1	57	750400010	Battery (12 Volt).....	1	87	570766014	Rubber Battery Cable Boot (Black).....	1
27	941486012	Inquires Label.....	1	58	310739012	Left Foot Assembly.....	1	88	570766013	Rubber Battery Cable Boot (Red).....	1
28	940974007	Fire Danger Label.....	1	59	660975009	Bolt (M6 x 9 mm).....	3	<b>Not Shown:</b>			
29	519712003	End Cap (31 mm).....	2	60	940947003	Combustion Label.....	1	991000097	Operator's Manual		
30	638497041	Heat Shield.....	1	61	678146002	Hitch Pin.....	2	991000098	Quick Reference Guide		
31	570712002	Handle Bumper.....	4					120302025	Hardware Kit		
								120302026	Hardware Kit		

**NOTE A:** OWT Industries, Inc., will not provide engines as replacement parts. Engines are covered through the engine manufacturer's warranty. Consult the accompanying engine manual or contact our service department for assistance.

**WARNING:** To avoid possible personal injury or equipment damage, a registered electrician or an authorized service representative should perform installation and all service. Under no circumstances should an unqualified person attempt to wire into a utility circuit.



**\*\*NOTE:** If FUEL TANK is replaced, the RUBBER STRIPPING must also be replaced.

**\*\*NOTE:** Si du RÉSERVOIR DE CARBURANT est remplacé, le DÉCAPAGE DE CAOUTCHOUC doit également être remplacé.

**\*\*NOTA:** Si el TANQUE DE COMBUSTIBLE se sustituye, el DESMONTAJE DE GOMA también debe ser reemplazado.



RD9C7001P

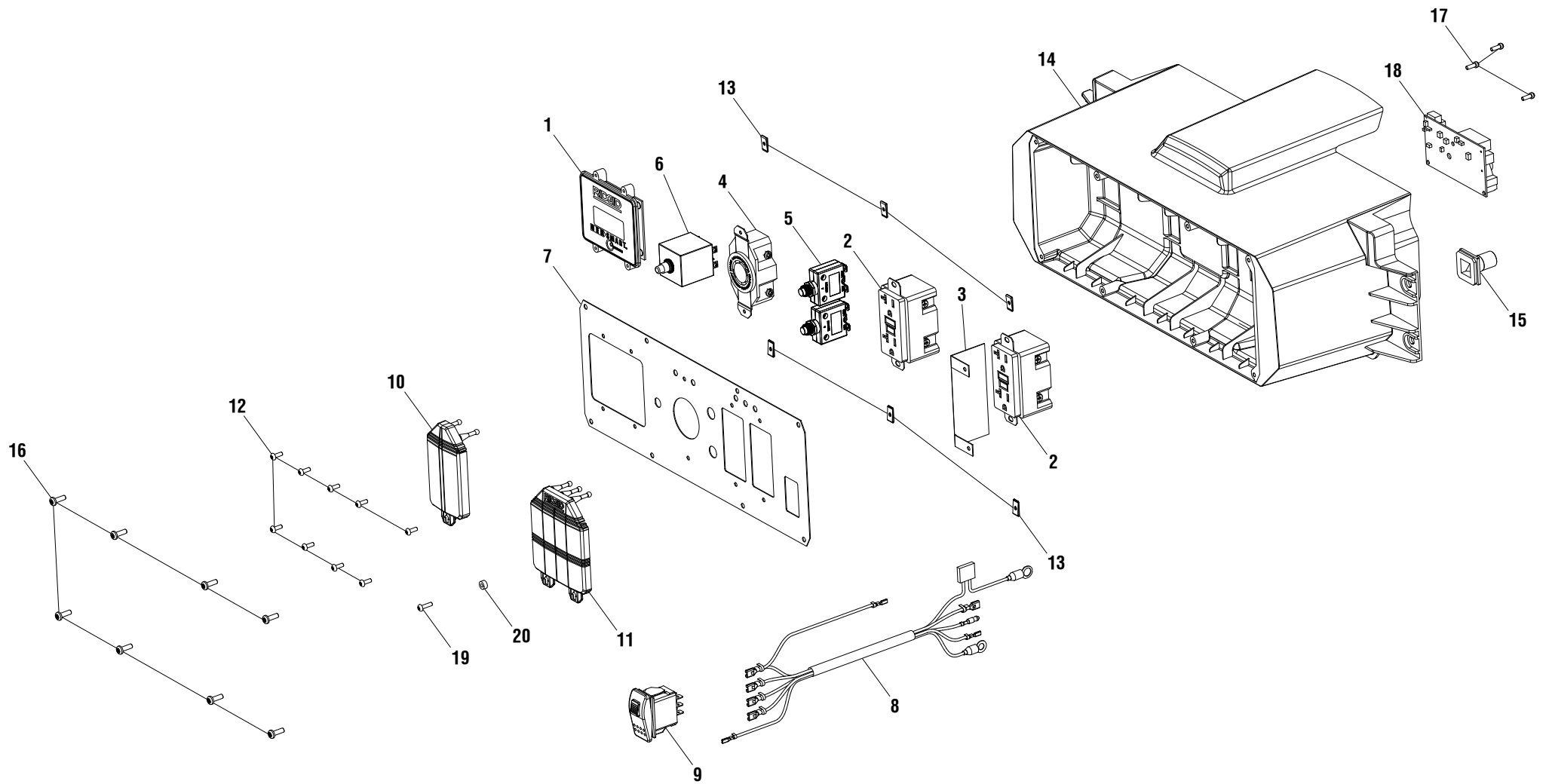
FIGURE B / FIGURA B

KEY	P/N	DESCRIPTION	QTY	PIÈCE RÉF.	DESCRIPTION	QTÉ	REF.	N/P	DESCRIPCIÓN	CANT.
1	310711154	Fuel Tank.....	1	310711154	Réservoir de carburant.....	1	1	310711154	Réservoir de carburant.....	1
2	570358131	Fuel Hose (220 mm).....	1	570358131	Tuyau flexible de carburant (220 mm).....	1	2	570358131	Manguera de combustible (220 mm).....	1
3	308459005	Fuel Shut Off Valve.....	1	308459005	Robinet de carburant.....	1	3	308459005	Válvula combustible.....	1
4	570358128	Fuel Hose (390 mm).....	1	570358128	Tuyau flexible de carburant (390 mm).....	1	4	570358128	Manguera de combustible (390 mm).....	1
5	308733008	Fuel Filter.....	1	308733008	Filtre à carburant.....	1	5	308733008	Filtro de combustible.....	1
6	570358133	Fuel Hose (95 mm).....	1	570358133	Tuyau flexible de carburant (95 mm).....	1	6	570358133	Manguera de combustible (95 mm).....	1
7	678408006	Hose Clamp.....	6	678408006	Collier de la tuyau.....	6	7	678408006	Abrazadera de manguera.....	6
8	310854002	Vapor Vent.....	1	310854002	Vent de vapeur.....	1	8	310854002	Respirador del vapor.....	1
9	310720026	Fuel Cap.....	1	310720026	Bouchon de carburant.....	1	9	310720026	Tapa del tanque de combustible.....	1
10	678899007	Ring Clip.....	1	678899007	Agrafe à bague.....	1	10	678899007	Sujetador de anillo.....	1
11	678409003	Hose Clamp (7/16 in.).....	1	678409003	Collier de la tuyau (7/16 po).....	1	11	678409003	Abrazadera de manguera (7/16 pulg.).....	1
12	570358105	Vapor Hose.....	1	570358105	Conduite de vapeur.....	1	12	570358105	Manguera de vapor.....	1
13	678408014	Hose Clamp (10.3 mm).....	1	678408014	Collier de la tuyau (10.3 mm).....	1	13	678408014	Abrazadera de manguera (10.3 mm).....	1
14	310225001	Bushing (Fuel Tank).....	4	310225001	Douille (réservoir de carburant).....	4	14	310225001	Buje (réservoir de carburant).....	4
15	570818002	Rubber Stripping.....	1	570818002	Caoutchouc décapage.....	1	15	570818002	Desmontaje de goma.....	1

**\*\*NOTE:** If FUEL TANK is replaced, the RUBBER STRIPPING must also be replaced.

**\*\*NOTE:** Si du RÉSERVOIR DE CARBURANT est remplacé, le DÉCAPAGE DE CAOUTCHOUC doit également être remplacé.

**\*\*NOTA:** Si el TANQUE DE COMBUSTIBLE se sustituye, el DESMONTAJE DE GOMA también debe ser reemplazado.

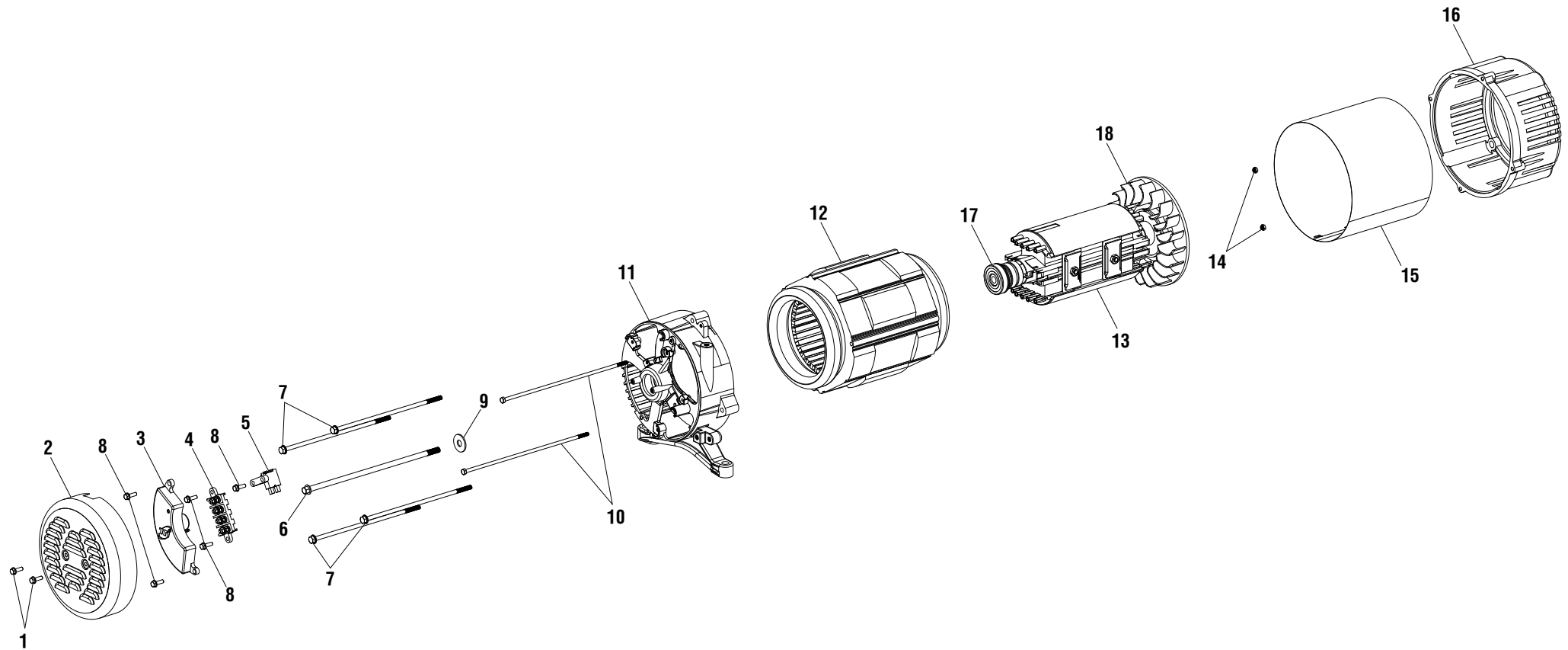




RD9C7001P

FIGURE C / FIGURA C

KEY	P/N	DESCRIPTION	QTY	PIÈCE RÉF.	DESCRIPTION	QTÉ	REF.	N/P	DESCRIPCIÓN	CANT.
1	290432011	Gensmart Display .....	1	1 290432011	Afficheur numérique GenSmart .....	1	1	290432011	Pantalla digital GenSmart .....	1
2	290400010	120 Volt Duplex GFCI Receptacle .....	2	2 290400010	Prise double de disjoncteur de fuite à la terre de 120V.....	2	2	290400010	Receptáculo doble de 120 V con GFCI .....	2
3	902114002	Insulator .....	1	3 902114002	Isolateur .....	1	3	902114002	Aislante .....	1
4	290401001	120 Volt Twist Lock Receptacle (30 Amp) .....	1	4 290401001	Prise de 120 de verrouillage par rotation (30 A) .....	1	4	290401001	Receptáculo de 120 V de fijación por giro (30 A).....	1
5	780350009	Circuit Breaker (20 Amp).....	2	5 780350009	Disjoncteur (20 A).....	2	5	780350009	Disyuntor (20 A) .....	2
6	780351017	Circuit Breaker (30 Amp).....	1	6 780351017	Disjoncteur (30 A).....	1	6	780351017	Disyuntor (30 A) .....	1
7	638930010	Control Panel Faceplate .....	1	7 638930010	Plaque avant por boîtier du panneau de contrôle.....	1	7	638930010	Placa de encare para panel de control.....	1
8	290435020	Wire Harness .....	1	8 290435020	Harnais de fil.....	1	8	290435020	Alambre arros.....	1
9	270290008	Engine Switch.....	1	9 270290008	Commutateur de moteur .....	1	9	270290008	Interruptor del motor.....	1
10	570409002	Receptacle Cover (30 Amp).....	1	10 570409002	Dispositif de protection de la prise (30 A) .....	1	10	570409002	Tapa del receptáculo (30 A) .....	1
11	570409001	GFCI Receptacle Cover.....	1	11 570409001	Dispositif de protection de la prise de fuite à la terre.....	1	11	570409001	Tapa del receptáculo de GFCI .....	1
12	660901004	Screw (#6-20 x 0.38 in.).....	9	12 660901004	Vis (#6-20 x 0,38 po.).....	9	12	660901004	Tornillo (#6-20 x 0,38 pulg.) .....	9
13	678244002	Nut (#6-18).....	6	13 678244002	Écrou (#6-18) .....	6	13	678244002	Tuerca (#6-18) .....	6
14	519815007	Control Panel Box.....	1	14 519815007	Boîtier du panneau de contrôle .....	1	14	519815007	Caja del panel de control.....	1
15	561383027	Wire Protector.....	1	15 561383027	Protection de fil.....	1	15	561383027	Protección de alambre.....	1
16	660899002	Screw (#8-18 x 0.5 in.).....	8	16 660899002	Vis (#8-18 x 0,5 po.).....	8	16	660899002	Tornillo (#8-18 x 0,5 pulg.) .....	8
17	660598001	Screw (#6-20 x 0.38 in.).....	3	17 660598001	Vis (#6-20 x 0,38 po.).....	3	17	660598001	Tornillo (#6-20 x 0,38 pulg.) .....	3
18	140173027	Battery Charger Assembly.....	1	18 140173027	Ensemble de chargeur de piles .....	1	18	140173027	Conjunto de cargador de baterías..	1
19	660961002	Screw (#6-10 x 0.5 in., Torx Hd.) ...	1	19 660961002	Vis (#6-10 x 0.5 po, empreinte à six pans).....	1	19	660961002	Tornillo (#6-10 x 0.5 pulg., cab. de torx).....	1
20	638128005	Spacer (4 mm) .....	1	20 638128005	Entretoise (4 mm).....	1	20	638128005	Separador (4 mm).....	1





KEY	P/N	DESCRIPTION	QTY	PIÈCE RÉF.	DESCRIPTION	QTÉ	REF.	N/P	DESCRIPCIÓN	CANT.
1	660938011	Bolt (M5 x 12 mm, Hex Hd.) .....	2	1 660938011	Boulon (M5 x 12 mm, à tête hex).....	2	1	660938011	Perno (M5 x 12 mm, cabeza hex.).....	2
2	678296004	Brush Cover.....	1	2 678296004	Couvercle de balai .....	1	2	678296004	Tapa de la escobilla .....	1
3	290440008	Automatic Voltage Regulator .....	1	3 290440008	Régulateur de tension automatique...1	1	3	290440008	Regulador automático de voltaje.....	1
4	290602003	Terminal Block .....	1	4 290602003	Plaque à bornes.....	1	4	290602003	Bloque de terminales.....	1
5	290441005	Brush Assembly.....	1	5 290441005	Ensemble de balai .....	1	5	290441005	Conjunto de la escobilla .....	1
6	661603030	Rotor Bolt.....	1	6 661603030	Boulon de rotor .....	1	6	661603030	Perno del rotor .....	1
7	661603031	Stator Bolt.....	4	7 661603031	Boulon de stator .....	4	7	661603031	Perno de estator .....	4
8	660938012	Bolt (M5 x 16 mm, Hex Hd.) .....	5	8 660938012	Boulon (M5 x 16 mm, à tête hex).....	5	8	660938012	Perno (M5 x 16 mm, cabeza hex.).....	5
9	638623002	Washer.....	1	9 638623002	Rondelle.....	1	9	638623002	Arandela.....	1
10	660938033	Bolt (M5 x 170 mm, Hex Hd.) .....	2	10 660938033	Boulon (M5 x 170 mm, à tête hex).....	2	10	660938033	Perno (M5 x 170 mm, cabeza hex.)...2	2
11	678865003	Bearing Housing .....	1	11 678865003	Logement de roulement.....	1	11	678865003	Cubierta de conjinete.....	1
12	310772040	Stator Assembly .....	1	12 310772040	Assemblage du stator.....	1	12	310772040	Ensamble del estator .....	1
13	310771039	Rotor Assembly .....	1	13 310771039	Assemblage du rotor .....	1	13	310771039	Ensamble del rotor.....	1
14	690840002	Nut (M5) .....	2	14 690840002	Écrou (M5).....	2	14	690840002	Tuerca (M5) .....	2
15	638624020	Generator Head Cover.....	1	15 638624020	Couverture de tête de générateur.....	1	15	638624020	Cubierta de la cabeza del generador	1
16	640331005	Engine Adaptor.....	1	16 640331005	Adaptateur pour moteur .....	1	16	640331005	Adaptador motor .....	1
17	681963001	Ball Bearing .....	1	17 681963001	Roulement à bille.....	1	17	681963001	Cojinete de bolas.....	1
18	307471001	Fan.....	1	18 307471001	Ventilateur.....	1	18	307471001	Ventilador.....	1