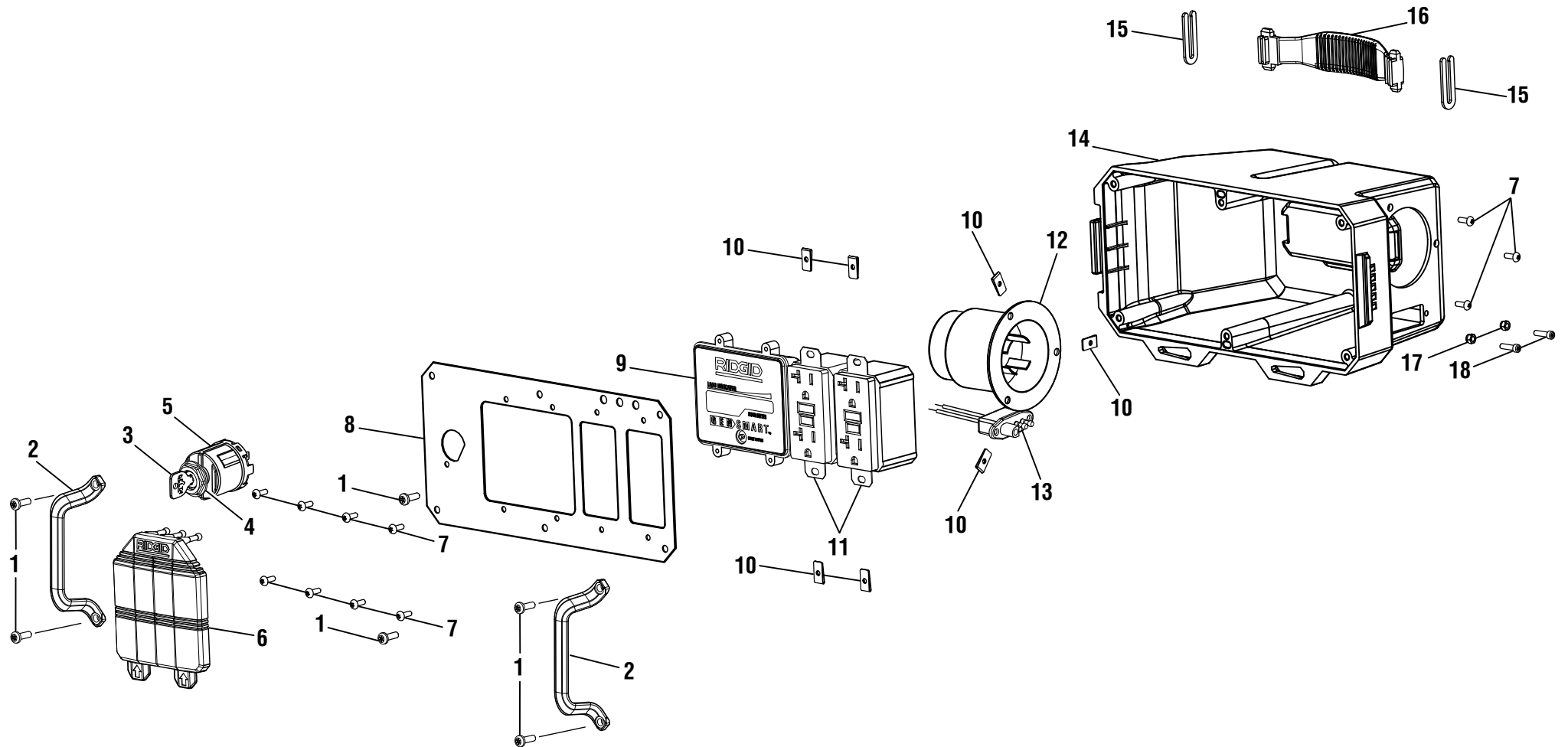
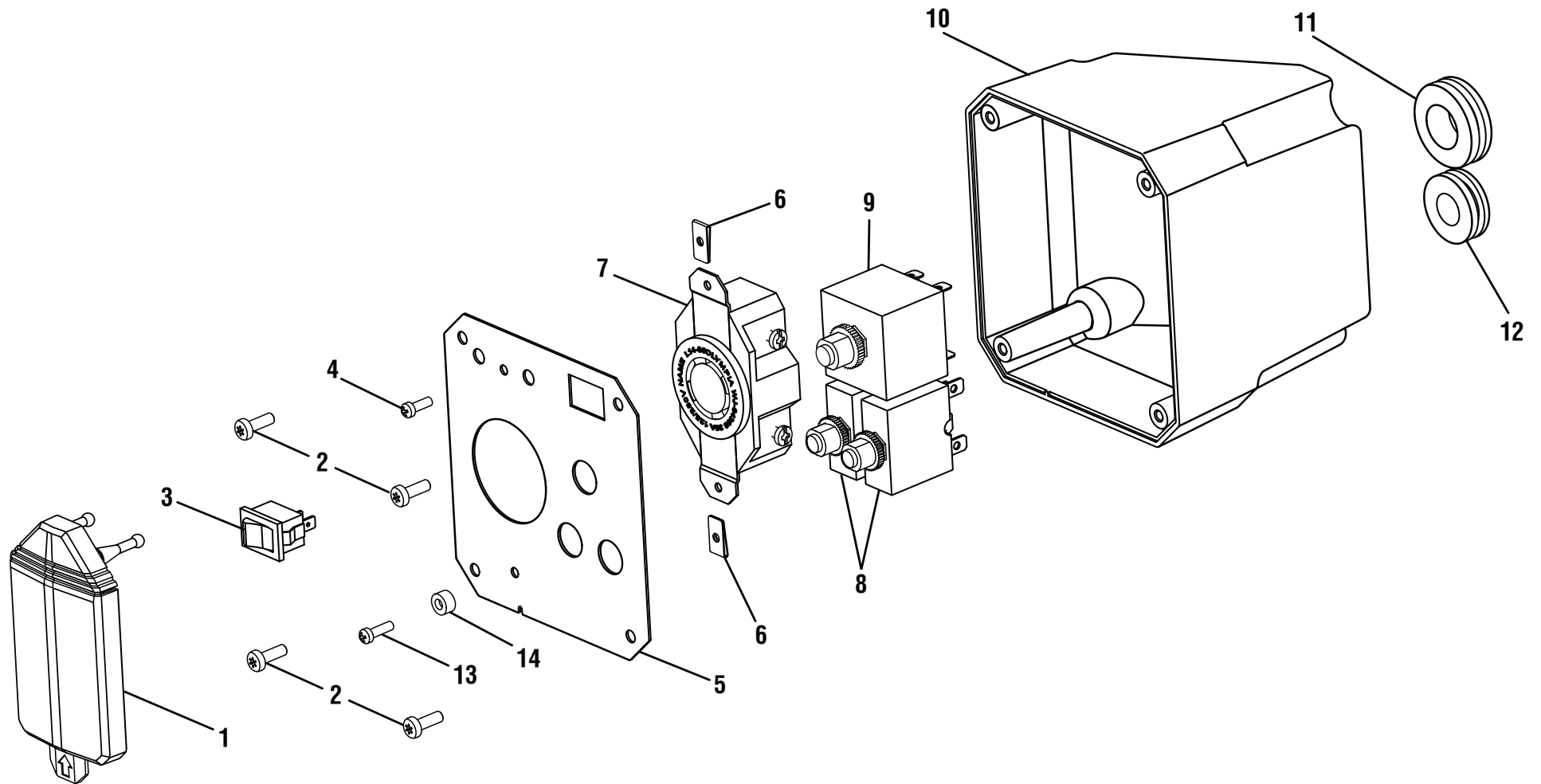


RIDGID® RD9C7000G

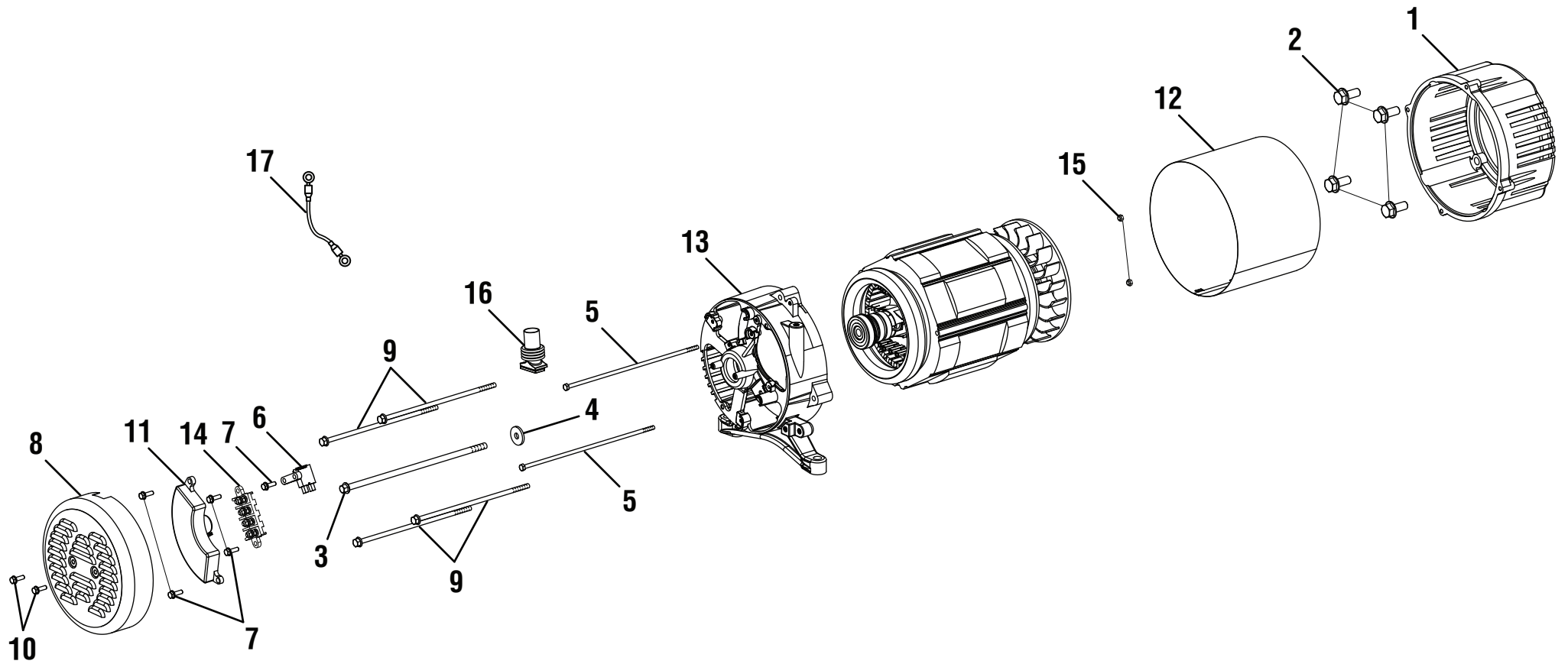
KEY	P/N	DESCRIPTION	QTY	KEY	P/N	DESCRIPTION	QTY	KEY	P/N	DESCRIPTION	QTY
1	561383003	Grommet (16 mm)	1	37	750400001	Battery (12 Volt).....	1	73	940686052	Starting Watts Label.....	1
2	290429009	Stationary Receptacle Box	1	38	638634002	Compression Latch.....	1	74	940947003	Label (UL Fire Warning) (Spark Arrestor)	1
3	290429010	Remote Receptacle Box (Electric GFCI)	1	39	518932002	End Cap (35 mm)	2	75	940819002	Cord Wrap Label	1
4	519815001	Receptacle Box Cover	1	40	661596001	Screw (10-24 x 3/4 in., T25, Torx Pan Hd.).....	4	76	940597001	GenSmart™ Instruction Label	1
5	678145002	Hex Nut (5/16-18 in.).....	5	41	660899002	Screw (8-18 x 1/2 in.)	4	77	940937004	Fuel Valve Label	1
6	638678002	Lock Washer (5/16 in.).....	4	42	660591006	Bolt (5/16-18 x 1-1/2 in., Hex Hd.).....	4	78	310662005	Cord Wrap.....	1
7	570356001	Vibration Isolator	4	43	940515017	CPSC Label (ENG/FR).....	1	79	290426002	Control Panel Cord (25 ft., AC/DC)	1
8	Note A	Engine (Honda GX390 Electric Start)	1	44	308681003	Battery Hold Down Strap	1	80	310712001	Handle Lock Pin	1
9	310711074	Fuel Tank	1	45	660599002	Bolt (5/16-24 x 5/8 in.).....	2	81	308640002	Bungee Cord	1
10	308910006	Quick Release Pin	1	46	660481007	Screw (M6 x 25 mm, Hex Hd.)	1	82	290418003	Battery Cable (Red)	1
11	661555002	Screw (1/4-20 x 2.1 in., T30, Torx Hd.)...3	3	47	661503004	Bolt (1/4-20 x 1-1/4 in.).....	3	83	290419003	Battery Cable (Black)	1
12	519812001	Upper Slide Rail	2	48	940605003	Battery Label	1	84	661595001	Screw (10-24 x 3/8 in., Hex Hd.).....	2
13	678610002	Flange Nut (M4).....	6	49	290404001	Ground Wire Assembly	1	85	678033001	Flange Hex Nut (10-24)	2
14	661555001	Bolt (M4 x 12.5 mm, Soc. Button Hd.)...6	6	50	638704001	Star Washer (5/16 in.).....	2	86	678408006	Fuel Line Clamp (1/2 in.)	6
15	678600002	Washer (M4)	10	51	661502005	Bolt (5/16-18 x 3/4 in., Hex Hd.)	1	87	661503005	Bolt (1/4-20 x 1 in., Hex Hd.).....	4
16	570712001	Rubber Bumper.....	6	52	638703001	Ground Lug	1	88	638678003	Lock Washer (1/4-20).....	4
17	678259003	Lock Nut (5/16-18)	2	53	678819001	Wire Clamp.....	1	89	638147003	Spark Arrestor	1
18	638128002	Washer (5/16 in.)	3	54	519812003	Slide Rail (Muffler Side).....	1	90	661306001	Screw (8-32 x 3/8 in.)	4
19	678522006	Pivot Pin (Handle).....	2	55	570765002	Starter Cover	1	91	660901005	Bolt (1/4-20 x 2 in., Hex Hd.).....	4
20	308638013	Handle Assembly	1	56	780350005	Circuit Breaker (1 Amp).....	1	92	308733001	Fuel Line Filter.....	1
21	678146002	Hitch Pin.....	2	57	638706005	Foot (Non Muffler Side)	1	93	570358038	Fuel Line Hose	1
22	620505001	Axle	2	58	638702006	Bracket.....	1	94	570358040	Fuel Line Hose	1
23	308451022	Wheel (12 in. x 4 in.).....	2	59	310225001	Fuel Tank Bushing	4	95	308459002	Fuel Shut Off Valve (Inline 1/4 in. x 1/4-90).....	1
24	638128001	Washer (5/8 in.)	2	60	519812002	Slide Rail (Non Muffler Side)	1	96	570358039	Fuel Line Hose	1
25	308509002	Battery Box	1	61	940595002	Zero Gravity Label.....	2	97	678681003	Cap Nut (1/4-20)	2
26	310222009	Frame Assembly	1	62	940680028	Hot Surface Warning Label.....	1	98	660901006	Bolt (1/4-20 x 48.5 mm, T30, Torx Hd.)..2	2
27	638706004	Foot (Muffler Side).....	1	63	940707083	Danger Warning General Label	1	99	940639003	Starter Cover Label	1
28	570554001	Rubber Foot	2	64	940513008	Ground Warning Label	1	100	638128006	Handle Spacer (5 mm)	1
29	638387002	Washer (1/4 in.)	18	65	940678227	Data Label	1	101	310739005	Foot Assembly (Muffler Side)	1
30	678016006	Lock Nut (1/4-20)	15	66	940758005	Pull Pin Release Label.....	1	102	940872001	E85 Label	1
31	660901003	Screw (1/4-20 x 1 in., T27, Torx Hd.).....8	8	67	940617064	Quick Start Label	1	103	638711002	Bushing	1
32	660900002	Screw (1/4-15 x 1.5 in., Torx Pan Hd.)..12	12	68	310739006	Foot Assembly (Non Muffler Side)	1	104	310854001	Fuel Tank Vapor Vent.....	1
33	309322018	Muffler Assembly (Inc. Key Nos. 89-90).1	1	69	940708007	Engine Oil Label	1				
34	310227035	Generator Head (7.0 KW).....	1	70	940971068	Fuel Hangtag Label.....	1				
35	310720026	Fuel Cap.....	1	71	940513002	Ground Icon Label.....	1				
36	638497011	Heat Shield.....	1	72	940596003	Running Watts Label	1				
									Not Shown:		
									988000633	Operator's Manual	



KEY	P/N	DESCRIPTION	QTY	PIÈCE RÉF.	DESCRIPTION	QTÉ	REF. N/P	DESCRIPCIÓN	CANT.
1	660899003	Screw (8-18 x 3/4 in., Torx Hd.).....	6	1 660899003	Vis (8-18 x 3/4 po, empreinte à six pans)	6	1 660899003	Tornillo (8-18 x 3/4 pulg., cabeza de Torx).....	6
2	638701004	Handle (Remote Control Panel).....	2	2 638701004	Poignée (panneau de commande à distance).....	2	2 638701004	Mango (panel de control remoto).....	2
3	678288002	Switch Key	1	3 678288002	Clé de commutateur	1	3 678288002	Llave del interruptor	1
4	678692001	Switch Key Nut.....	1	4 678692001	Écrou de clé d'interrupteur	1	4 678692001	Tuerca de la llave del interruptor.....	1
5	270290001	Switch	1	5 270290001	Commutateur	1	5 270290001	Interruptor	1
6	570409001	Outlet Cover	1	6 570409001	Couvercle de prise	1	6 570409001	Cubierta de salida	1
7	660901004	Screw (6-20 x 3/8 in., Torx Hd.).....	11	7 660901004	Vis (6-20 x 3/8 po, empreinte à six pans)	11	7 660901004	Tornillo (6-20 x 3/8 pulg., cabeza de Torx).....	11
8	638700013	Cover Plate (Remote Control Panel)	1	8 638700013	Couverture (panneau de commande à distance).....	1	8 638700013	Placa Tapa (Panel del control remoto) ...	1
9	290432003	GenSmart™ Monitoring System	1	9 290432003	Système de surveillance GenSmart™ ...	1	9 290432003	Sistema de monitoreo GenSmart™	1
10	678244002	Speed Nut (6-18).....	7	10 678244002	Écrou rapide (6-18).....	7	10 678244002	Tuerca de apriete rápido (6-18)	7
11	290400010	20 Amp Duplex GFCI Receptacle (120 Volts AC).....	2	11 290400010	Prise double de disjoncteur de fuite à la terre de 20 A (120 V c.a.)	2	11 290400010	Receptáculo doble de 20 A con GFCI (120/ V corr. alt.)	2
12	290430001	20 Amp Inlet (120/240 Volts AC)	1	12 290430001	Prise de 20 A, 120/240 V c.a.....	1	12 290430001	Entrada de 20 A (120/240 V corr. alt.) ...	1
13	290431001	Pigtail (DC to Remote Box)	1	13 290431001	Natte (CC vers le boîtier distant)	1	13 290431001	Coleta (corr. cont. a caja remota)	1
14	519813002	Control Panel Box (Remote).....	1	14 519813002	Boîtier du panneau de contrôle (distant).....	1	14 519813002	Caja del panel de control (remota)	1
15	678815002	Clip	2	15 678815002	Agrafe.....	2	15 678815002	Sujetador.....	2
16	570372001	Carrying Handle	1	16 570372001	Poignée de transport.....	1	16 570372001	Mango de acarreo	1
17	678720001	Lock Nut (6-32)	2	17 678720001	Écrou de blocage (6-32).....	2	17 678720001	Contratuercas (6-32)	2
18	661597001	Screw (6-32 x 1/2 in., Torx Hd.).....	2	18 661597001	Vis (6-32 x 1/2 po, empreinte à six pans)	2	18 661597001	Tornillo (6-32 x 1/2 pulg., cabeza de Torx).....	2
19	290428002	Wire Kit (Remote Box, See Page 8)	1	19 290428002	Ensemble de fils (boîtier distant, voir la page 8).....	1	19 290428002	Juego de alambre (caja alejada, vea página 8).....	1



KEY	P/N	DESCRIPTION	QTY	PIÈCE RÉF.	DESCRIPTION	QTÉ	REF. N/P	DESCRIPCIÓN	CANT.
1	570409002	Receptacle Cover.....	1	1 570409002	Dispositif de protection de la prise	1	1 570409002	Tapa del receptáculo.....	1
2	660899002	Screw (8-18 x 1/2 in., Torx Hd.).....	4	2 660899002	Vis (8-18 x 1/2 po, empreinte à six pans)	4	2 660899002	Tornillo (8-18 x 1/2 pulg., cabeza de Torx).....	4
3	760700002	Switch (On/Off).....	1	3 760700002	Interrupteur marche/arrêt.....	1	3 760700002	Interruptor de encendido/apagado	1
4	660901004	Screw (6-20 x 3/8 in., Torx Hd.).....	1	4 660901004	Vis (6-20 x 3/8 po, empreinte à six pans)	1	4 660901004	Tornillo (6-20 x 3/8 pulg., cabeza de Torx).....	1
5	638700012	Cover Plate (Stationary Control Panel)...	1	5 638700012	Couverture (panneau de commande stationnaire).....	1	5 638700012	Placa tapa (panel de control fijo).....	1
6	678244002	Speed Nut (6-18).....	2	6 678244002	Écrou rapide (6-18).....	2	6 678244002	Tuerca de apriete rápido (6-18).....	2
7	290401001	30 Amp Twist Lock Receptacle (120/240 Volts AC).....	1	7 290401001	Prise à verrouillage par rotation 30 A (120/240 V c.a.)	1	7 290401001	Receptáculo de fijación por giro de 30 A (120/240 V corr. alt.)	1
8	780350001	20 Amp Circuit Breaker (120 Volts AC) ..	2	8 780350001	20 Ampères disjoncteur (120 V c.a.)	2	8 780350001	20 Amperios disyuntor (120 V corr. alt.)	2
9	780351004	30 Amp Circuit Breaker (240 Volts AC) ..	1	9 780351004	30 Ampères disjoncteur (240 V c.a.)	1	9 780351004	30 Amperios disyuntor (240 V corr. alt.) ..	1
10	519813001	Control Panel Box (Stationary).....	1	10 519813001	Boîtier du panneau de contrôle (fixe)	1	10 519813001	Caja del panel de control (estacionaria)	1
11	561383003	Grommet (17.5 mm)	1	11 561383003	Oeillet (17,5 mm)	1	11 561383003	Ojal (17,5 mm)	1
12	561383002	Grommet (12.7 mm)	1	12 561383002	Oeillet (12,7 mm)	1	12 561383002	Ojal (12,7 mm)	1
13	660961002	Screw (6-20 x 1/2 in., Torx Hd.).....	1	13 660961002	Vis (6-20 x 1/2 po, empreinte à six pans)	1	13 660961002	Tornillo (6-20 x 1/2 pulg., cabeza de Torx).....	1
14	638128005	Spacer (4 mm).....	1	14 638128005	Entretoise (4 mm)	1	14 638128005	Separador (4 mm)	1
15	290428003	Wire Kit (Stationary Box, See Page 11)..	1	15 290428003	Ensemble de fils (boîtier fixe, voir la page 11).....	1	15 290428003	Juego de alambre (caja estacionaria, vea página 11).....	1
16	290434001	Pigtail (Remote Box to Stationary Box) (120/240 Volts AC, See Page 11)	1	16 290434001	Natte (du boîtier distant au boîtier fixe) (120/240 V c.a., voir la page 11).....	1	16 290434001	Coleta (caja alejada a caja estacionaria) (120/240 V corr. cont., vea página 11) ...	1
17	290434003	Pigtail (Generator Head, See Page 11) ..	1	17 290434003	Natte (tête de génératrice, voir la page 11).....	1	17 290434003	Coleta (Cabezal del generador, vea página 11).....	1
18	290435002	Pigtail (DC to Engine, See Page 11).....	1	18 290435002	Natte (CC vers le moteur, voir la page 11).....	1	18 290435002	Coleta (corr. cont. a motor, vea página 11).....	1



RIDGID® RD9C7000G

KEY	P/N	DESCRIPTION	QTY	PIÈCE RÉF.	DESCRIPTION	QTÉ	REF. N/P	DESCRIPCIÓN	CANT.
1	640331005	Adapter Housing	1	1 640331005	Logement de l'adaptateur.....	1	1 640331005	Carcasa del adaptador.....	1
2	660596002	Bolt (3/8-16 x 1-1/4 in., Grade 5)	4	2 660596002	Boulon (3/8-16 x 1-1/4 po, Calibre 5)	4	2 660596002	Perno (3/8-16 x 1-1/4 pulg., de grado 5).....	4
3	661603011	Bolt (Rotor)	1	3 661603011	Boulon (rotor)	1	3 661603011	Perno (rotor)	1
4	638623002	Washer (5/16 in.)	1	4 638623002	Rondelle (5/16 po).....	1	4 638623002	Arandela (5/16 pulg.).....	1
5	660938021	Bolt (M5 x 230 mm, Hex Hd.).....	2	5 660938021	Boulon (M5 x 230 mm, à tête hex).....	2	5 660938021	Perno (M5 x 230 mm, cabeza hex.)	2
6	290441005	Brush Assembly	1	6 290441005	Ensemble de charbon	1	6 290441005	Conjunto de la escobilla.....	1
7	660938012	Bolt (M5 x 16 mm, Hex Hd.).....	5	7 660938012	Boulon (M5 x 16 mm, à tête hex).....	5	7 660938012	Perno (M5 x 16 mm, cabeza hex.)	5
8	678296004	Brush Cover	1	8 678296004	Couvercle de balai	1	8 678296004	Tapa de la escobilla.....	1
9	661603012	Bolt (Stator)	4	9 661603012	Boulon (stator).....	4	9 661603012	Perno (Estátor)	4
10	660938011	Bolt (M5 x 10 mm).....	2	10 660938011	Boulon (M5 x 10 mm).....	2	10 660938011	Perno (M5 x 10 mm).....	2
11	290440008	Automatic Voltage Regulator	1	11 290440008	Régulateur de tension automatique.....	1	11 290440008	Regulador automático de voltaje	1
12	638624007	Generator Head Cover	1	12 638624007	Couverture de tête de générateur	1	12 638624007	Cubierta de la cabeza del generador	1
13	678865003	Bearing Housing.....	1	13 678865003	Logement de roulement	1	13 678865003	Cubierta de conjinete	1
14	290602003	Terminal Block.....	1	14 290602003	Plaque à bornes	1	14 290602003	Bloque de terminales	1
15	690840002	Hex Nut (M5)	2	15 690840002	Écrou hexagonal (M5)	2	15 690840002	Tuerca hexagonal (M5).....	2
16	570766004	Rubber Boot.....	1	16 570766004	Gaine caoutchoutée.....	1	16 570766004	Botas de goma.....	1
17	290455001	Bonding Wire.....	1	17 290455001	Fil de liaison	1	17 290455001	Alambre de la vinculación	1