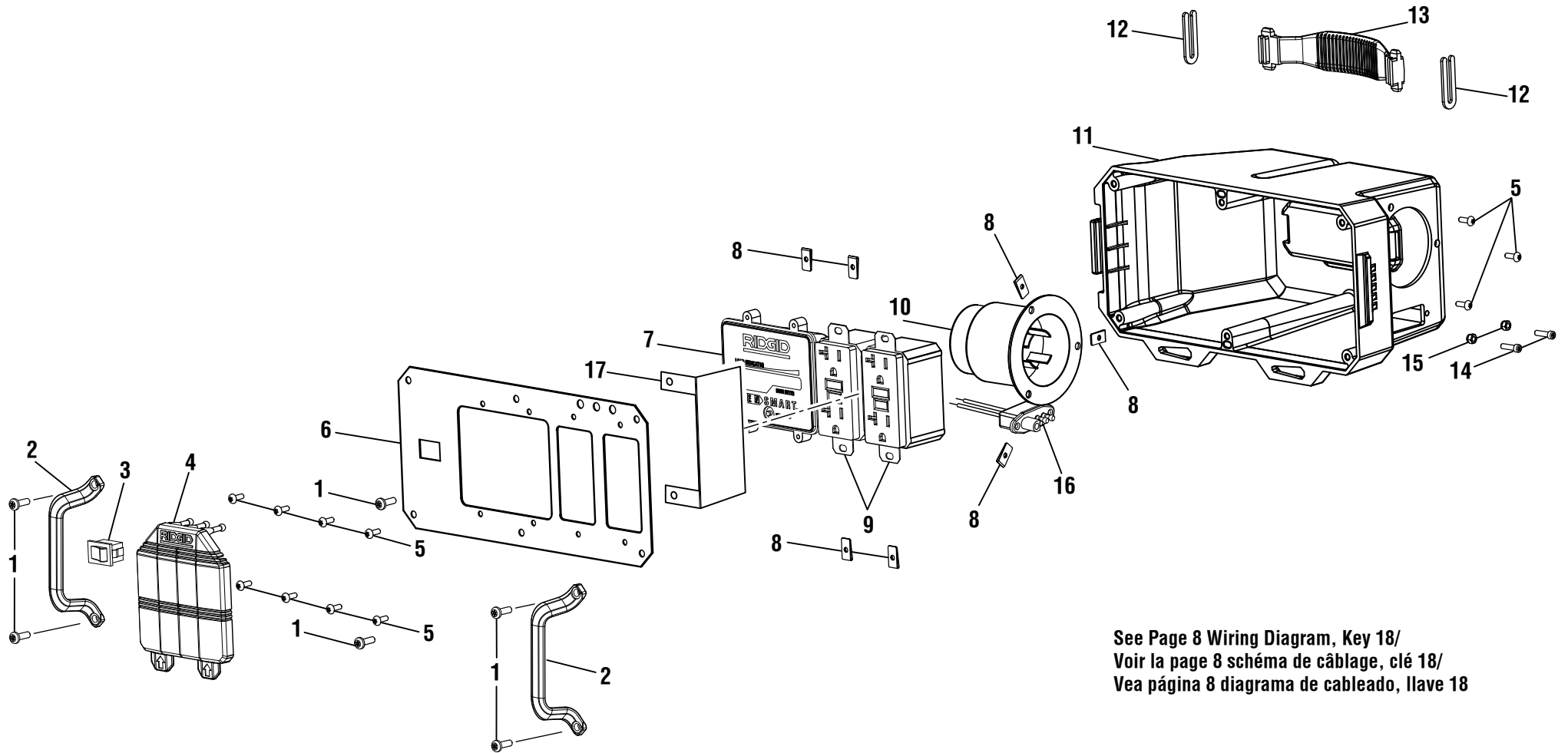




RD906800/RD906811

Figure / Figura A

KEY	P/N	DESCRIPTION	QTY	KEY	P/N	DESCRIPTION	QTY	KEY	P/N	DESCRIPTION	QTY
1	561383003	Grommet (16 mm)	1	36	638497011	Heat Shield.....	1	72	940937004	Fuel Valve Label	1
2	290429002	Stationary Receptacle Box (RD906800).....	1	37	519812002	Slide Rail (Non-Muffler Side)	1	73	290426002	Extension Cord (AC/DC).....	1
	290429007	Stationary Receptacle Box (RD906811).....	1	38	638634002	Compression Latch	1	74	310662005	Cord Wrap	1
3	290429006	Remote Receptacle Box (Electric GFCI)	1	39	518932002	End Cap (35mm)	2	75	310712001	Handle Lock Pin	1
4	519815001	Receptacle Box Cover	1	40	661596001	Screw (10-24 x 3/4 in., T25, Torx Pan Hd.)	4	76	308640002	Bungee Cord	1
5	678145002	Hex Nut (5/16-18).....	5	41	660899002	Screw (8-18 x 1/2 in.)	4	77	678408006	Fuel Line Clamp (1/2 in.).....	6
6	638678002	Lock Washer (5/16 in.).....	4	42	660591006	Bolt (5/16-18 x 1-1/2 in., Hex Hd.)	4	78	638147003	Spark Arrestor	1
7	570356001	Vibration Isolator	4	43	519812003	Slide Rail (Muffler Side)	1	79	661306001	Screw (8-32 x 3/8 in.)	4
8	Note A	Engine (Yamaha MZ360)	1	44	660901005	Screw (1/4-20 x 1 in., Hex Hd.).....	4	80	570358038	Fuel Line Hose (1/4 in. ID x 16 in.).....	1
9	310711074	Fuel Tank	1	45	660599002	Bolt (5/16-24 x 5/8 in.).....	2	81	570358015	Fuel Line Hose (1/4 in. ID x 3.5 in.).....	1
10	308910001	Quick Release Pin	1	46	940872003	E85 Label	1	82	570358014	Fuel Line Hose (1/4 in. ID x 12.6 in.).....	1
11	661555002	Screw (1/4-20 x 2.1 in., T30, Torx Hd., RD906811).....	1	47	661503004	Bolt (1/4-20 x 1-1/4 in.)	1	83	308733001	Fuel Line Filter.....	1
12	519812001	Upper Slide Rail	2	48	660901006	Bolt (1/4-20 48.5 mm, T30, Torx Hd.).....	2	84	308459002	Fuel Shut Off Valve (Inline 1/4 in. x 1/4).....	1
13	678610002	Flange Nut (M4).....	6	49	290404001	Ground Wire Assembly.....	1	85	310722004	Canister (RD906811)	1
14	661555001	Bolt (M4 x 12.5 mm, Soc. Button Hd.).....	6	50	638704001	Washer Star (5/16 in.).....	2	86	678714003	Bracket (Carb. Canister, RD906811)	1
15	678600002	Washer (M4)	10	51	661502005	Bolt (5/16-18 x 3/4 in., Hex Hd.).....	1	87	660502005	Bolt (5/16-18 x 3/4 in., Grade 5, RD906811)..	2
16	570712001	Rubber Bumper.....	6	52	638703001	Ground Lug	1	88	678681003	Cap Nut (1/4-20).....	2
17	678259003	Lock Nut (5/16-18)	2	53	310225001	Fuel Tank Bushing	4	89	310854001	Rollover Vent (RD906811)	1
18	638128002	Washer (5/16 in.)	3	54	638702006	Bracket	1	90	638711002	Bushing (Rollover Vent)	1
19	678522006	Pivot Pin (Handle).....	2	55	638706005	Foot (Non-Muffler Side).....	1	91	570358017	Purge Hose (RD906811).....	1
20	308638013	Handle Assembly	1	56	940595002	Zero Gravity Label.....	2	92	570358018	Rollover Hose (RD906811)	1
21	678146002	Hitch Pin.....	2	57	940680028	Hot Surface Warning Label	1	93	900333012	Cable Tie (18.6 in., RD906811).....	1
22	620505001	Axle.....	2	58	940707016	Danger Warning General Label	1	94	638128006	Handle Spacer (5 mm).....	1
23	308451022	Wheel (12 in. x 4 in.)	2	59	940513008	Ground Warning Label	1	95	661503005	Bolt (1/4-20 x 1 in., Hex Hd.).....	4
24	638128001	Washer (5/8 in.).....	2	60	940678219	Data Label (RD906800)	1	96	638678003	Lock Washer (1/4-20).....	4
25	678819001	Wire Clamp.....	1		940678222	Data Label (RD906811)	1	97	519814001	Wire Clamp.....	1
26	310222009	Frame Assembly.....	1	61	940758005	Pull Pin Release Label.....	1	98	519729001	J-Clamp.....	1
27	638706004	Foot (Muffler Side).....	1	62	940617047	Quick Start Label.....	1	99	308762003	Reducer	1
28	570554001	Rubber Foot	2	63	940515017	CPSC Label.....	1	100	570358054	Vapor Hose (75 mm).....	1
29	638387002	Washer (1/4 in.).....	16	64	940708007	Engine Oil Label	1	101	678409003	Clamp	2
30	678016006	Lock Nut (1/4-20)	12	65	940971068	Fuel Hangtag Label	1	102	940803049	EPA Label	1
31	660901003	Screw (1/4-20 x 1 in., T27, Torx Hd.).....	8	66	940513002	Ground Label.....	1		Not Shown:		
32	660900002	Screw (1/4-15 x 1.5 in., Torx Pan Hd.)	12	67	940596002	Running Watts Label	1		988000622	Operator's Manual	
33	309322002	Muffler	1	68	940686045	Yamaha Label.....	1				
34	310227013	Generator Head.....	1	69	940654088	Combustion Warning Label.....	1				
35	310720026	Fuel Cap.....	1	70	940819002	Cord Wrap Label	1				
				71	940597001	GenSmart™ Instruction Label.....	1				



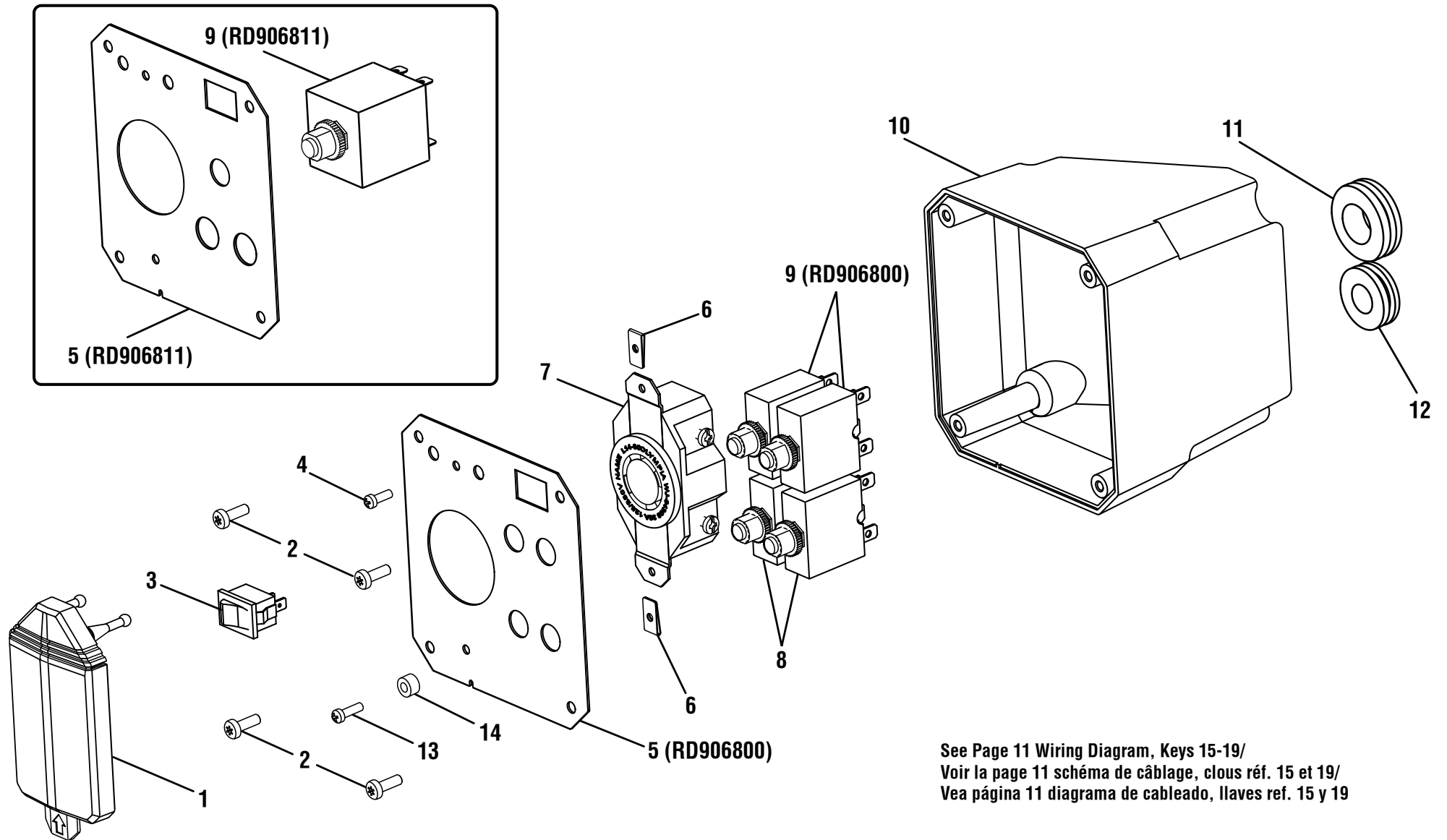
See Page 8 Wiring Diagram, Key 18/
Voir la page 8 schéma de câblage, clé 18/
Vea página 8 diagrama de cableado, llave 18



RD906800/RD906811

Figure / Figura B

KEY	P/N	DESCRIPTION	QTY	PIÈCE RÉF.	DESCRIPTION	QTÉ	REF. N/P	DESCRIPCIÓN	CANT.
1	660899003	Screw (8-18 x 3/4 in., Torx Hd.).....	6	1 660899003	Vis (8-18 x 3/4 po, empreinte à six pans)	6	1 660899003	Tornillo (8-18 x 3/4 pulg., cabeza de Torx).....	6
2	638701004	Handle (Remote Control Panel).....	2	2 638701004	Poignée (panneau de commande à distance).....	2	2 638701004	Mango (panel del control remoto)	2
3	760700002	Switch (On/Off).....	1	3 760700002	Interrupteur marche/arrêt	1	3 760700002	Interruptor de encendido/apagado	1
4	570409001	Outlet Cover	1	4 570409001	Couvercle de prise	1	4 570409001	Cubierta de salida	1
5	660901004	Screw (6-20 x 3/8 in., Torx Hd.).....	11	5 660901004	Vis (6-20 x 3/8 po, empreinte à six pans)	11	5 660901004	Tornillo (6-20 x 3/8 pulg., cabeza de Torx).....	11
6	638700009	Cover Plate (Remote Control Panel)	1	6 638700009	Couverture (panneau de commande à distance).....	1	6 638700009	Placa tapa (panel del control remoto)	1
7	290432004	GenSmart™ Monitoring System	1	7 290432004	Système de surveillance GenSmart™.....	1	7 290432004	Sistema de monitoreo GenSmart™	1
8	678244002	Speed Nut (6-18)	7	8 678244002	Écrou rapide (6-18).....	7	8 678244002	Tuerca de apriete rápido (6-18)	7
9	290400010	20 Amp Duplex GFCI Receptacle (120 Volts AC).....	2	9 290400010	Prise double de disjoncteur de fuite à la terre de 20 A (120 V c.a.).....	2	9 290400010	Receptáculo doble de 20 A con GFCI (120 V corr. alt.)	2
10	290430001	20 Amp Inlet (120/240 Volts AC)	1	10 290430001	Prise de 20 A (120/240 V c.a.).....	1	10 290430001	Entrada de 20 A (120/240 V corr. alt.)	1
11	519813002	Control Panel Box (Remote).....	1	11 519813002	Boîtier du panneau de contrôle (distant)	1	11 519813002	Caja del panel de control (remota)	1
12	678815002	Clip	2	12 678815002	Agrafe.....	2	12 678815002	Sujetador	2
13	570372001	Carrying Handle	1	13 570372001	Poignée de transport.....	1	13 570372001	Mango de acarreo	1
14	661597001	Screw (6-32 x 1/2 in., Torx Hd.).....	2	14 661597001	Vis (6-32 x 1/2 po, empreinte à six pans)	2	14 661597001	Tornillo (6-32 x 1/2 pulg., cabeza de Torx).....	2
15	678720001	Lock Nut (6-32).....	2	15 678720001	Écrou de blocage (6-32).....	2	15 678720001	Contratuerca (6-32)	2
16	290960001	Pigtail (DC to Remote Box, See Page 8).....	1	16 290960001	Natte (CC vers le boîtier distant, voir la page 8).....	1	16 290960001	Coleta (corr. cont. a caja remota, vea página 8)	1
17	902114002	Insulator.....	1	17 902114002	Isolateur.....	1	17 902114002	Aislante.....	1
18	290428002	Wire Kit (Remote Box, See Page 8).....	1	18 290428002	Ensemble de fils (boîtier distant, voir la page 8).....	1	18 290428002	Juego de alambre (caja alejada, vea página 8))	1

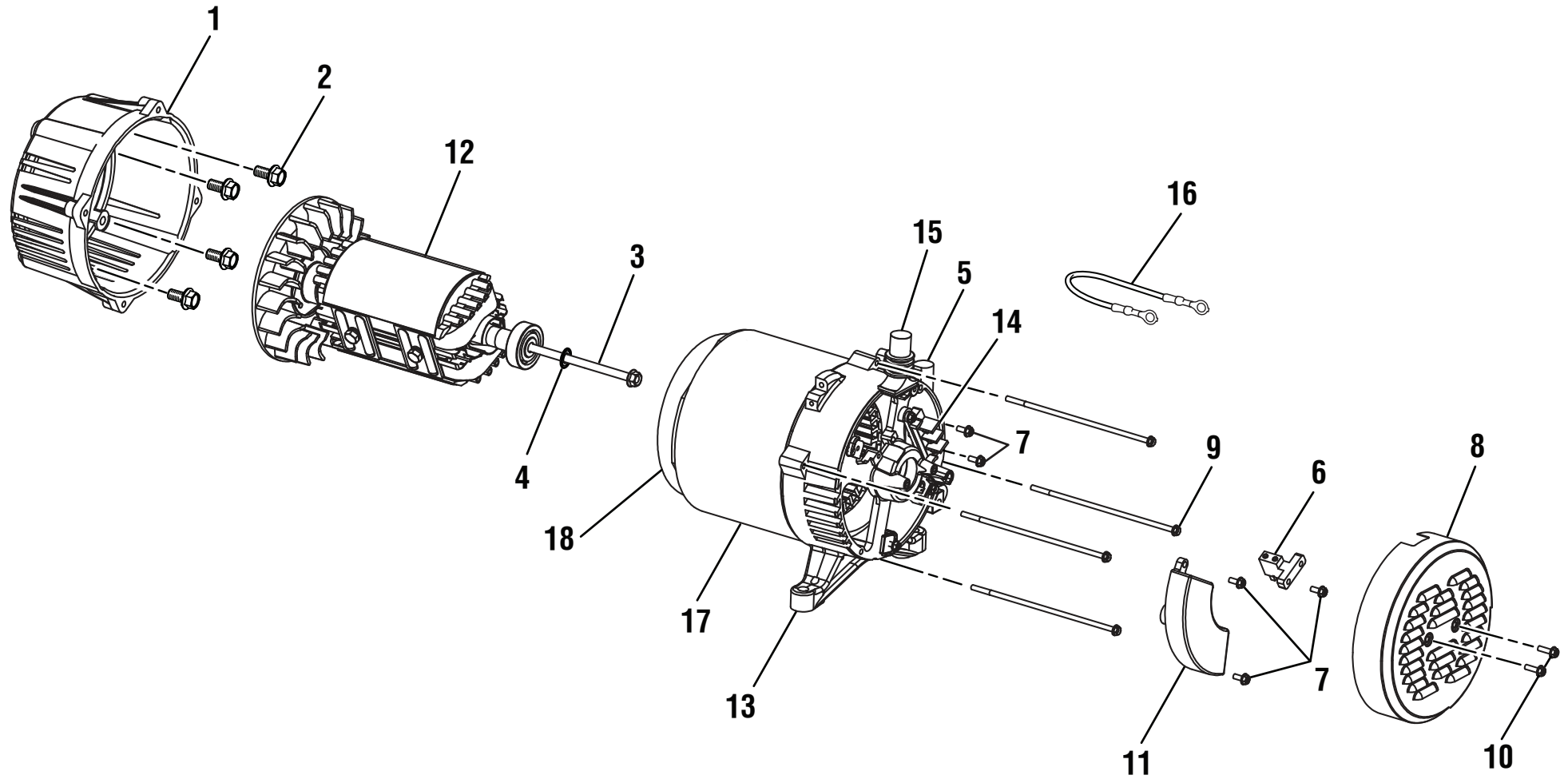




RD906800/RD906811

Figure / Figura C

KEY	P/N	DESCRIPTION	QTY	PIÈCE RÉF.	DESCRIPTION	QTÉ	REF. N/P	DESCRIPCIÓN	CANT.	
1	570409002	Receptacle Cover.....	1	570409002	Dispositif de protection de la prise	1	1	570409002	Tapa del receptáculo	1
2	660899002	Screw (8-18 x 1/2 in., Torx Hd.).....	4	660899002	Vis (8-18 x 1/2 po, empreinte à six pans).....	4	2	660899002	Tornillo (8-18 x 1/2 pulg., cabeza de Torx).....	4
3	760700002	Switch (On/Off, See Pages 9 & 11)	1	760700002	Interrupteur (marche/arrêt, voir la pages 9 et 11	1	3	760700002	Interruptor de encendido/apagado (vea páginas 9 y 11)	1
4	660901004	Screw (6-20 x 3/8 in., Torx Hd.).....	1	660901004	Vis (6-20 x 3/8 po, empreinte à six pans).....	1	4	660901004	Tornillo (6-20 x 3/8 pulg., cabeza de Torx).....	1
5	638700005	Cover Plate (Stationary Control Panel) (RD906800).....	1	638700005	Couverture (panneau de commande stationnaire, RD906800).....	1	5	638700005	Placa tapa (panel de control fijo, RD906800).....	1
	638700010	Cover Plate (Stationary Control Panel) (RD906811).....	1	638700010	Couverture (panneau de commande stationnaire, RD906811).....	1		638700010	Placa de tapa (panel de control fijo, RD906811).....	1
6	678244002	Speed Nut (6-18)	2	678244002	Écrou rapide (6-18).....	2	6	678244002	Tuerca de apriete rápido (6-18)	2
7	290401001	30 Amp Twist Lock Receptacle (120/240 Volts AC).....	1	290401001	Prise à verrouillage par rotation 30 A (120/240 V c.a.)	1	7	290401001	Receptáculo de fijación por giro de 30 A (120/240 V corr. alt.)	1
8	780350001	20 Amp Circuit Breaker (120 Volts AC)	2	780350001	20 Ampères disjoncteur (120 V c.a.)	2	8	780350001	20 Amperios disyuntor (120 V corr. cont.)	2
9	780351001	30 Amp Circuit Breaker (120 Volts AC, RD906800).....	2	780351001	30 Ampères disjoncteur (120 V c.a., RD906800).....	2	9	780351001	30 Amperios disyuntor (120 V corr. cont., RD906800)	2
	780351004	30 Amp Circuit Breaker (240 Volts AC, RD906811).....	2	780351004	30 Ampères disjoncteur (240 V c.a., RD906811).....	2		780351004	30 Amperios disyuntor (240 V corr. cont., RD906811)	2
10	519813001	Control Panel Box (Stationary)	1	519813001	Le panneau de commande boîte (stationnaire)	1	10	519813001	Panel de control caja (fija)	1
11	561383003	Grommet (17.5 mm)	1	561383003	Oeillet (17,5 mm)	1	11	561383003	Ojal (17,5 mm)	1
12	561383002	Grommet (12.7 mm)	1	561383002	Oeillet (12,7 mm)	1	12	561383002	Ojal (12,7 mm)	1
13	660961002	Screw (6-20 x 1/2 in., Torx Hd.).....	1	660961002	Vis (6-20 x 1/2 po, empreinte à six pans).....	1	13	660961002	Tornillo (6-20 x 1/2 pulg., cabeza de Torx).....	1
14	638128005	Spacer (4 mm)	1	638128005	Entretoise (4 mm)	1	14	638128005	Separador (4 mm).....	1
15	290428003	Wire Kit (Stationary Box, See Page 11).....	1	290428003	Ensemble de fils (boîtier fixe, voir la page 11)	1	15	290428003	Juego de alambre (caja estacionaria, vea página 11)	1
16	290434001	Pigtail (Remote Box to Stationary Box) (120/240 Volts AC, See Page 11)	1	290434001	Natte (du boîtier distant au boîtier fixe, 120/240 V c.a., voir la page 11)...	1	16	290434001	Coleta (caja alejada a caja estacionaria (120/240 V corr. cont., vea página 11)	1
17	290434002	Pigtail (Generator Head, See Page 11).....	1	290434002	Natte (moteur de la générateur, voir la page 11).....	1	17	290434002	Coleta (cabezal del generador, vea página 11).....	1
18	290435002	Pigtail (DC to Engine, See Page 11).....	1	290435002	Natte (DC à moteur, voir la page 11).....	1	18	290435002	Coleta (corr. cont. al motor, vea página 11) ...	1
19	521303004	Sleeve (See Page 11)	1	521303004	Manchon (voir la page 11).....	1	19	521303004	Manga (vea página 11).....	1





RD906800/RD906811

Figure / Figura D

KEY	P/N	DESCRIPTION	QTY	PIÈCE RÉF.	DESCRIPTION	QTÉ	REF. N/P	DESCRIPCIÓN	CANT.
1	640331002	Adaptor Housing	1	640331002	Logement de l'adaptateur	1	1 640331002	Caracasa del adaptador.....	1
2	660596002	Bolt (3/8-18 x 1-1/4 in.)	4	660596002	Boulon (3/8-16 x 1-1/4 po).....	4	2 660596002	Perno (3/8-16 x 1-1/4 pulg.).....	4
3	660596007	Bolt (5/16-24).....	1	660596007	Boulon (5/16-24).....	1	3 660596007	Perno (5/16-24)	1
4	638678002	Washer	1	638678002	Rondelle frein (5/16 po).....	1	4 638678002	Arandela de fijación (5/16 pulg.).....	1
5	310227013	Generator Head Assembly (Incl. Key Nos. 1 and 3-15).....	1	310227013	Ensemble moteur de la générateur (inclure lég. réf. 1 et 3-15).....	1	5 310227013	Ensemble moteur de la générateur (incluire núm. ref. 1 y 3-15).....	1
6	290441001	Brush Assembly	1	290441001	Ensemble de charbon	1	6 290441001	Conjunto de la escobilla.....	1
7	660938012	Bolt (M5 x 16 mm, Hex Hd.).....	5	660938012	Boulon (M5 x 16 mm, à tête hex).....	5	7 660938012	Perno (M5 x 16 mm, cabeza hex.)	5
8	678296002	Brush Cover	1	678296002	Couvercle de balai	1	8 678296002	Tapa de la escobilla.....	1
9	660890002	Bolt (Stator)	4	660890002	Boulon (stator).....	4	9 660890002	Perno (estátor).....	4
10	661603001	Bolt (M5 x 10 mm).....	2	661603001	Boulon (M5 x 10 mm).....	2	10 661603001	Perno (M5 x 10 mm).....	2
11	290440008	Automatic Voltage Regulator.....	1	290440008	Régulateur de tension automatique.....	1	11 290440008	Regulador automático de voltaje	1
12	310771009	Rotor.....	1	310771009	Rotor.....	1	12 310771009	Rotor.....	1
13	678865002	Bearing Housing.....	1	678865002	Logement de roulement	1	13 678865002	Cubierta de conjinete	1
14	290602002	Terminal Block.....	1	290602002	Plaque à bornes	1	14 290602002	Bloque de terminales	1
15	570766002	Rubber Boot (RD906800).....	1	570766002	Gaine caoutchoutée (RD906800).....	1	15 570766002	Botas de goma (RD906800).....	1
16	290455001	Bonding Wire.....	1	290455001	File de liaison.....	1	16 290455001	Hilo de la conectado	1
17	638624002	Generator Head Cover	1	638624002	Couverture de tête de générateur.....	1	17 638624002	Cubierta de la cabeza del generador.....	1
18	310772009	Stator.....	1	310772009	Stator.....	1	18 310772009	Estátor.....	1