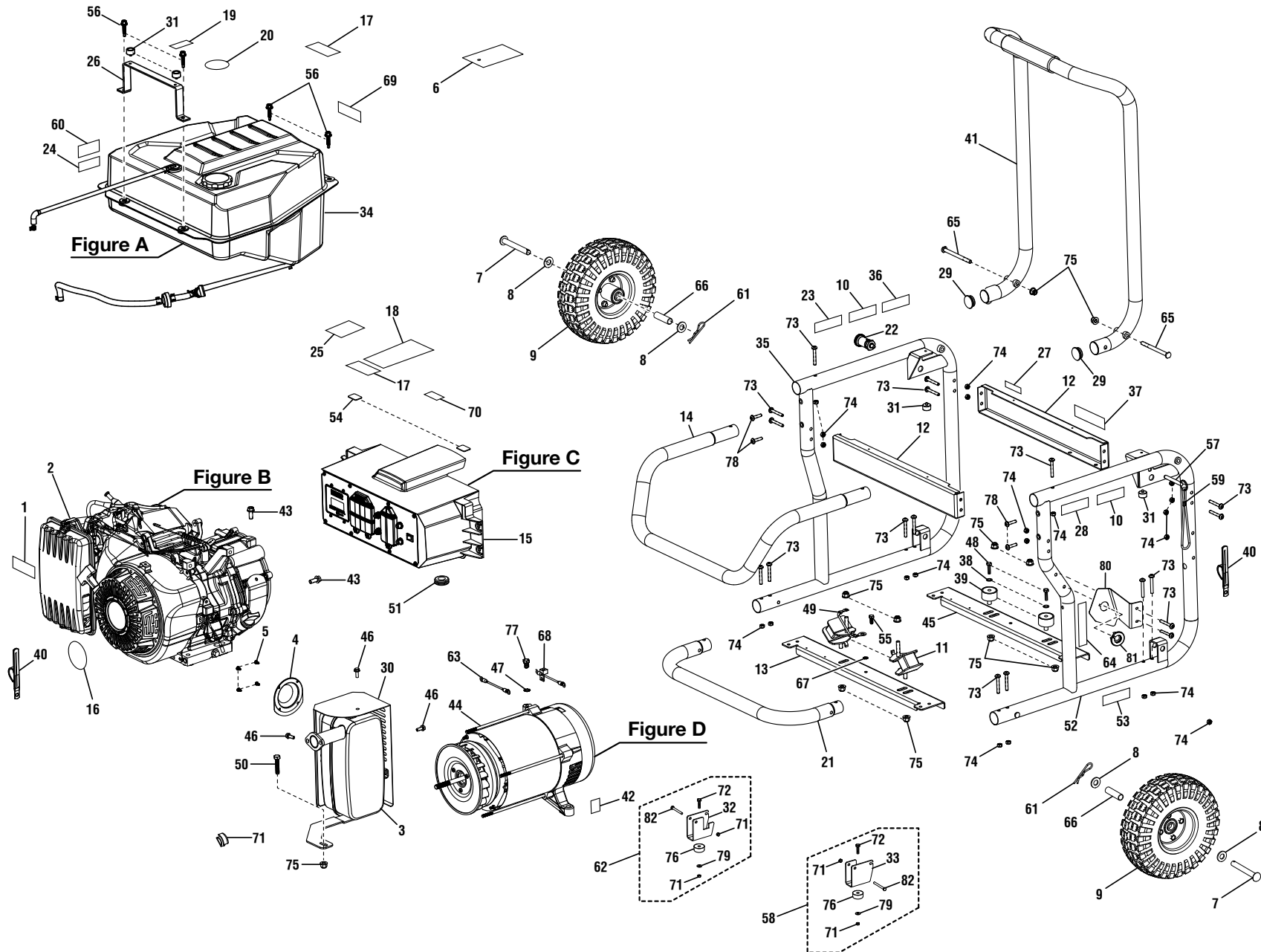


RIDGID
6500 Watt Generator
Item No. RD906500P
Mfg. No. 090930222
Replacement Parts List

RIDGID
Générateur de 6 500 watts
Article No. RD906500P
Fabrication No. 090930222
Liste des pièces de rechange

RIDGID
Generador 6 500 Watts
Artículo No. RD906500P
Fabricación No. 090930222
Lista de pieza de repuesto





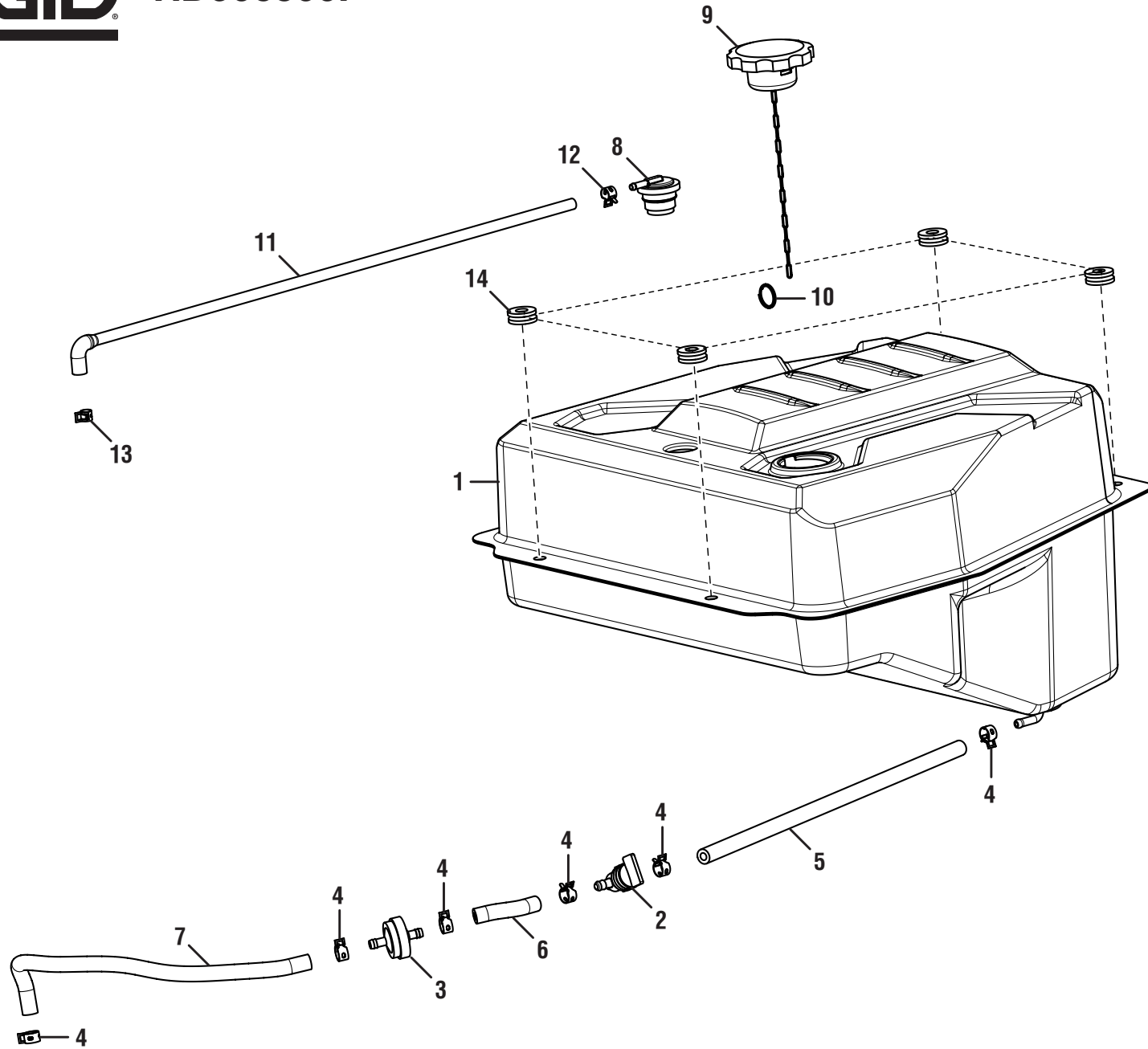
RD906500P

Figure A

| KEY | P/N | DESCRIPTION | QTY | KEY | P/N | DESCRIPTION | QTY | KEY | P/N | DESCRIPTION | QTY |
|-----|---------------|---|-----|-----|-----------|---|-----|-------------------|-----------------------|---------------------------------------|-----|
| 1 | 940647102 | Choke Label | 1 | 31 | 570712002 | Handle Bumper..... | 4 | 60 | 940947003 | Spark Arrestor Label..... | 1 |
| 2 | Note A | Engine (See Figure B) | 1 | 32 | 638706010 | Right Foot..... | 1 | 61 | 678146002 | Hitch Pin | 2 |
| 3 | 309322035 | Muffler..... | 1 | 33 | 638706009 | Left Foot | 1 | 62 | 310739011 | Right Foot Assembly | 1 |
| 4 | 638147003 | Spark Arrester..... | 1 | 34 | 310711153 | Fuel Tank Assembly (See Figure A) | 1 | 63 | 290455004 | Bonding Wire (95 mm 10 AWG.)..... | 1 |
| 5 | 661306001 | Screw (8-32 x 3/8 in.)..... | 4 | 35 | 308581158 | Right Frame Assembly | 1 | 64 | 940617137 | Quick Start Label..... | 1 |
| 6 | 940971087 | Warning Hangtag..... | 1 | 36 | 940758005 | Pin Release Label..... | 1 | 65 | 661851004 | Bolt (M8 x 98 mm, Flat Hd.)..... | 2 |
| 7 | 681866001 | Axle Bolt | 2 | 37 | 940513027 | Ground Warning Label..... | 1 | 66 | 638498004 | Axle Spacer | 2 |
| 8 | 638275002 | Washer (1/2 in.)..... | 4 | 38 | 673155001 | Lock Washer (M8)..... | 2 | 67 | 673157002 | Washer (M6)..... | 1 |
| 9 | 308451010 | Wheel..... | 2 | 39 | 570356012 | Isolator..... | 2 | 68 | 638703003 | Ground Lug..... | 1 |
| 10 | 940595002 | Zero Gravity Label | 2 | 40 | 519729002 | J-Clamp..... | 2 | 69 | 940654254 | Warning Label..... | 1 |
| 11 | 570356006 | Vibration Isolator..... | 2 | 41 | 310224066 | Handle Assembly..... | 1 | 70 | 940647104 | Fuel Valve Label..... | 1 |
| 12 | 638959012 | Crossbar (Fuel Tank)..... | 2 | 42 | 940513002 | Ground Label..... | 1 | 71 | 678460009 | Nut (M6)..... | 4 |
| 13 | 638735040 | Crossbar (Engine) | 1 | 43 | 660391002 | Bolt (M8 x 20 mm, Hex Hd.) | 2 | 72 | 660505033 | Bolt (M6 x 50 mm, Hex Hd.) | 2 |
| 14 | 638221007 | Front Frame (Top) | 1 | 44 | 310227061 | Generator Head Assembly (See Figure D) | 1 | 73 | 661834004 | Bolt (M6 x 42 mm, Torx Pan Hd.) | 20 |
| 15 | 290403055 | Control Panel Assembly (See Figure C).... | 1 | 45 | 638735041 | Crossbar (Generator Head) | 1 | 74 | 678460009 | Nut (M6)..... | 21 |
| 16 | 940633034 | Recoil Housing Label..... | 1 | 46 | 660975009 | Bolt (M6 x 9 mm) | 3 | 75 | 678774012 | Nut (M8)..... | 9 |
| 17 | 940705168 | Logo Label..... | 2 | 47 | 673157001 | Washer (M8)..... | 1 | 76 | 570554001 | Wear Pad | 2 |
| 18 | 940779124 | Performance Label | 1 | 48 | 660973017 | Bolt (M8 x 35 mm, Hex Hd.) | 2 | 77 | 660973016 | Bolt (M8 x 15 mm, Hex Hd.) | 1 |
| 19 | 940872003 | E85 Label..... | 1 | 49 | 290404009 | Ground Wire Assembly (M8-M6) | 1 | 78 | 661834005 | Bolt (M6 x 25 mm, Torx Pan Hd.) | 4 |
| 20 | 940872006 | Fuel Stabilizer Label | 1 | 50 | 660973019 | Bolt (M8 x 40 mm, Hex Hd.) | 1 | 79 | 673154002 | Washer (M6)..... | 2 |
| 21 | 524470007 | Front Frame (Bottom) | 1 | 51 | 561383003 | Grommet (16 mm)..... | 1 | 80 | 638702027 | Fuel Valve Bracket | 1 |
| 22 | 308910001 | Quick Release Pin | 1 | 52 | 308581157 | Left Frame Assembly..... | 1 | 81 | 519813025 | Fuel Valve Bezel..... | 1 |
| 23 | 940974089 | Fire Distance Label..... | 1 | 53 | 940708019 | Lubricant Label..... | 1 | 82 | 660505031 | Bolt (M6 x 25 mm, Hex Hd.) | 2 |
| 24 | 940680027 | Hot Surface Label..... | 1 | 54 | 570630003 | Isolator (Rubber) | 2 | Not Shown: | | | |
| 25 | 940515017 | CPSC Label | 1 | 55 | 661505021 | Bolt (M6 x 16 mm, Hex Hd.) | 1 | 120302025 | Hardware Kit (Feet) | | |
| 26 | 638702006 | Bracket (Wrapper Box) | 1 | 56 | 660901036 | Screw (1/4-14 x 1.25 in.)..... | 4 | 120302026 | Hardware Kit (Wheels) | | |
| 27 | 941486005 | Inquires Label | 1 | 57 | 310712001 | Release Pin..... | 1 | 990000915 | Operator's Manual | | |
| 28 | 940974007 | Fire Danger Label | 1 | 58 | 310739012 | Left Foot Assembly..... | 1 | 990000917 | Quick Reference Guide | | |
| 29 | 519712003 | Cap..... | 2 | 59 | 308640002 | Bungee Cord | 1 | | | | |
| 30 | 638497038 | Heat Shield | 1 | | | | | | | | |

NOTE A: OWT Industries, Inc., will not provide engines as replacement parts. Engines are covered through the engine manufacturer's warranty. Consult the accompanying engine manual or contact our service department for assistance.

WARNING: To avoid possible personal injury or equipment damage, a registered electrician or an authorized service representative should perform installation and all service. Under no circumstances should an unqualified person attempt to wire into a utility circuit.

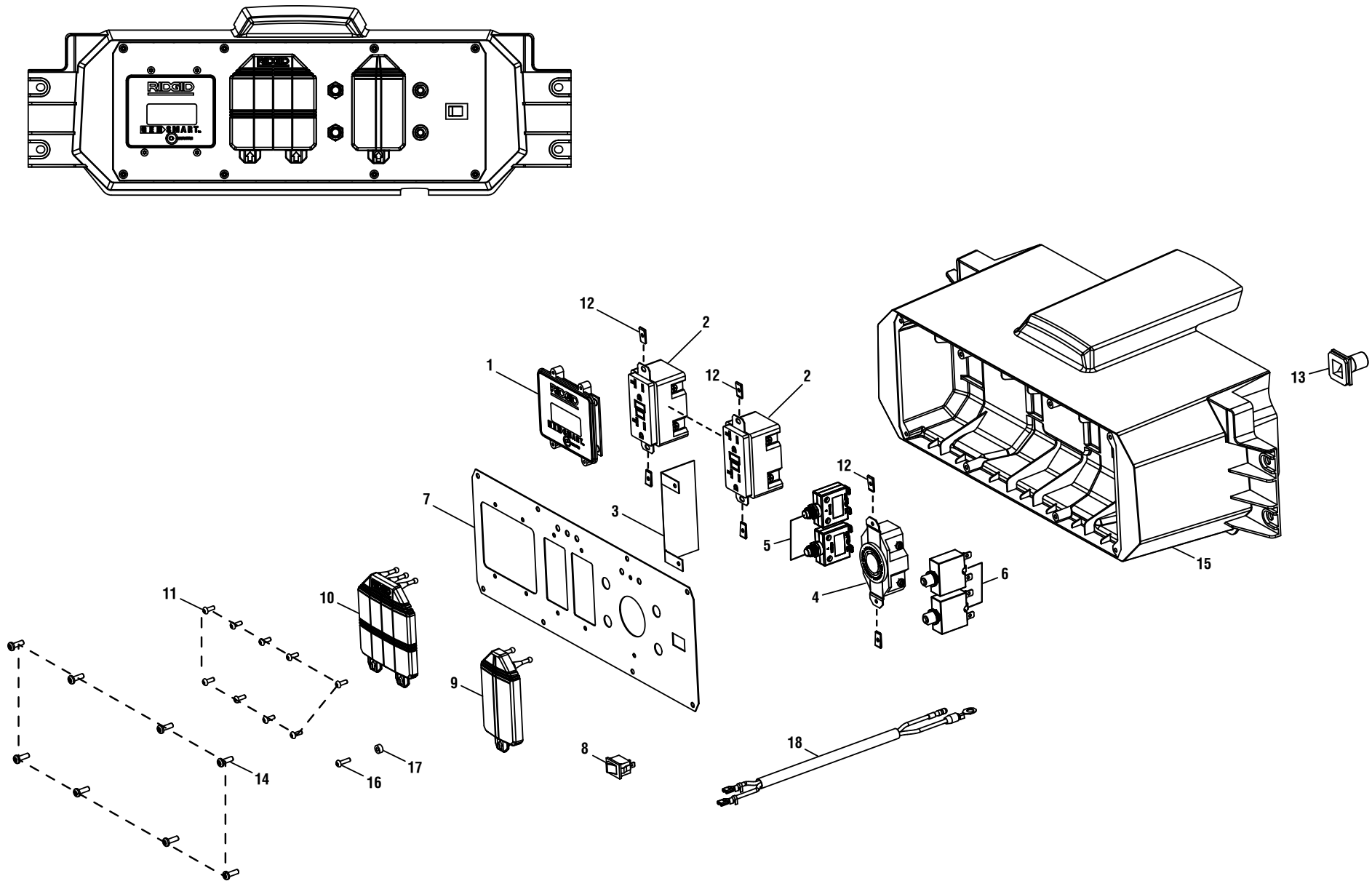




RD906500P

Figure / Figura B

| KEY | P/N | DESCRIPTION | QTY | PIÈCE RÉF. | DESCRIPTION | QTÉ | REF. | N/P | DESCRIPCIÓN | CANT. |
|-----|-----------|----------------------------------|-----|--------------|---|-----|------|-----------|---|-------|
| 1 | 310711153 | Fuel Tank..... | 1 | 1 310711153 | Réservoir de carburant | 1 | 1 | 310711153 | Tanque de combustible..... | 1 |
| 2 | 308459005 | Fuel Shut Off Valve..... | 1 | 2 308459005 | Robinet de carburant | 1 | 2 | 308459005 | Válvula combustible..... | 1 |
| 3 | 308733008 | Fuel Filter (1/4 in.)..... | 1 | 3 308733008 | Filtre à carburant (1/4 po)..... | 1 | 3 | 308733008 | Filtro de combustible (1/4 pulg.)..... | 1 |
| 4 | 678408006 | Fuel Line clamp (1/2 in.)..... | 6 | 4 678408006 | Bride de conduite de carburant (1/2 po)..... | 6 | 4 | 678408006 | Abrazadera de conducto de combustible (1/2 pulg.)..... | 6 |
| 5 | 570358141 | Fuel Hose (360 mm)..... | 1 | 5 570358141 | Tuyau flexible de carburant (360 mm)..... | 1 | 5 | 570358141 | Manguera de combustible (360 mm)..... | 1 |
| 6 | 570358127 | Fuel Hose (60 mm)..... | 1 | 6 570358127 | Tuyau flexible de carburant (60 mm)..... | 1 | 6 | 570358127 | Manguera de combustible (60 mm)..... | 1 |
| 7 | 570358140 | Fuel Hose (430 mm)..... | 1 | 7 570358140 | Tuyau flexible de carburant (430 mm)..... | 1 | 7 | 570358140 | Manguera de combustible (430 mm)..... | 1 |
| 8 | 310854002 | Vapor Vent..... | 1 | 8 310854002 | Vent de vapeur | 1 | 8 | 310854002 | Respirador del vapor | 1 |
| 9 | 310720026 | Fuel Cap..... | 1 | 9 310720026 | Bouchon de carburant | 1 | 9 | 310720026 | Tapa del tanque de combustible..... | 1 |
| 10 | 678899007 | Ring Clip | 1 | 10 678899007 | Agrafe à bague..... | 1 | 9 | 310720026 | Tapa del tanque de combustible..... | 1 |
| 11 | 570358142 | Vapor Hose | 1 | 11 570358142 | Conduite de vapeur | 1 | 10 | 678899007 | Sujetador de anillo | 1 |
| 12 | 678409003 | Fuel Line Clamp (7/16 in.) | 1 | 12 678409003 | Bride de conduite de carburant (7/16 po)..... | 1 | 11 | 570358142 | Manguera de vapor..... | 1 |
| 13 | 678408005 | Fuel Line Clamp (3/8 in.) | 1 | 13 678408005 | Bride de conduite de carburant (3/8 po)..... | 1 | 12 | 678409003 | Abrazadera de la manguera del conducto de vapor (7/16 pulg.)..... | 1 |
| 14 | 310225001 | Bushing..... | 4 | 14 310225001 | Douille | 4 | 12 | 678409003 | Abrazadera de la manguera del conducto de vapor (3/8 pulg.)..... | 1 |
| | | | | | | | 13 | 678408005 | Abrazadera de la manguera del conducto de vapor (3/8 pulg.)..... | 1 |
| | | | | | | | 14 | 310225001 | Buje..... | 4 |

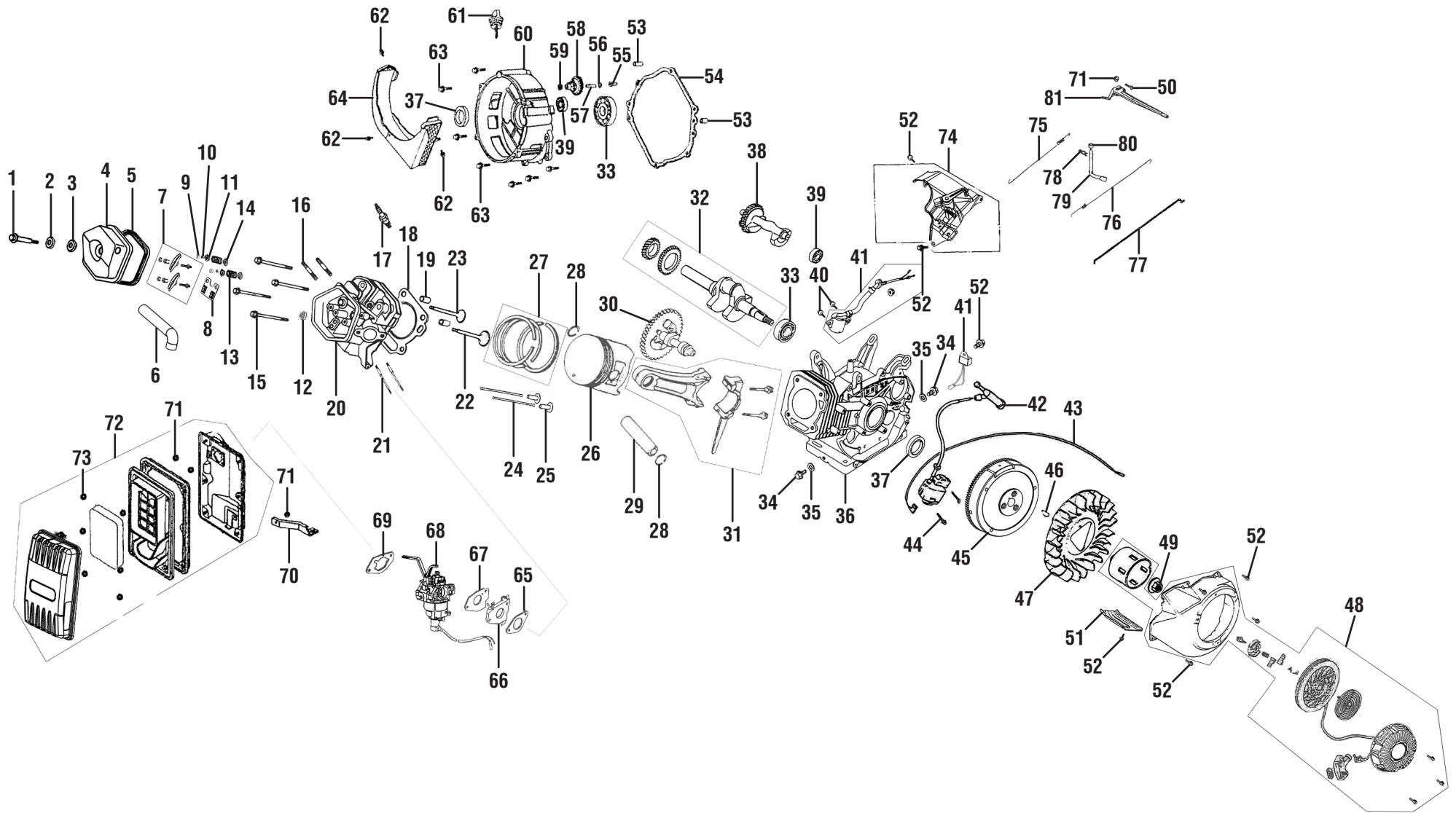




RD906500P

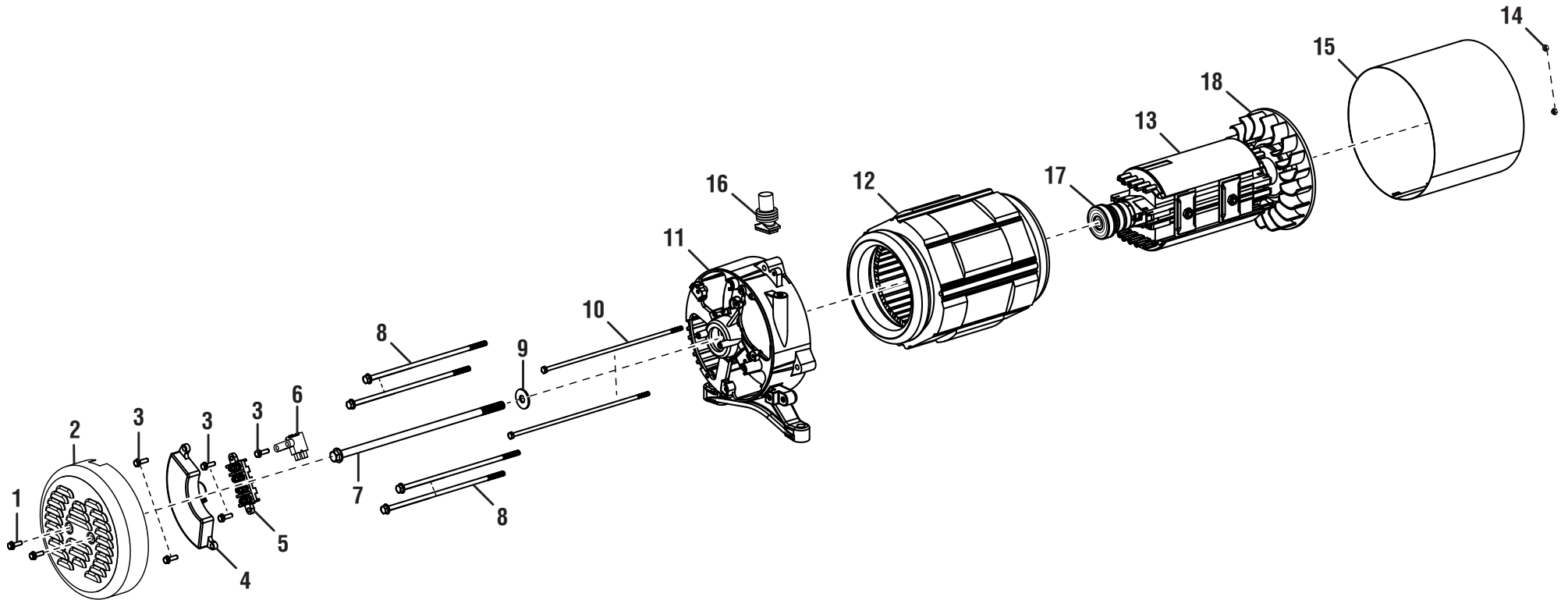
Figure / Figura C

| KEY | P/N | DESCRIPTION | QTY | PIÈCE RÉF. | DESCRIPTION | QTÉ | REF. N/P | DESCRIPCIÓN | CANT. | |
|-----|-----------|--|-----|------------|-------------|---|----------|-------------|--|---|
| 1 | 290432010 | Gensmart Display (120/240V) | 1 | 1 | 290432010 | Système de surveillance GenSmart (120/240V)..... | 1 | 290432010 | Sistema de monitoreo GenSmart (120/240V)..... | 1 |
| 2 | 290400010 | 120 Volt Duplex GFCI Receptacle | 2 | 2 | 290400010 | Prise double de disjoncteur de fuite à la terre de 120V | 2 | 290400010 | Receptáculo doble de 120 V con GFCI | 2 |
| 3 | 902114002 | Insulator | 1 | 3 | 902114002 | Isolateur | 1 | 902114002 | Aislante | 1 |
| 4 | 290401001 | 120 Volt Twist Lock Receptacle (30 Amp)..... | 1 | 4 | 290401001 | Prise de 120 de verrouillage par rotation (30 A) | 1 | 290401001 | Receptáculo de 120 V de fijación por giro (30 A) | 1 |
| 5 | 780350007 | Circuit Breaker (20 Amp)..... | 2 | 5 | 780350007 | Disjoncteur (20 A)..... | 2 | 780350007 | Disyuntor (20 A)..... | 2 |
| 6 | 780351003 | Circuit Breaker (30 Amp)..... | 2 | 6 | 780351003 | Disjoncteur (30 A)..... | 2 | 780351003 | Disyuntor (30 A)..... | 2 |
| 7 | 638930007 | Control Panel Faceplate | 1 | 7 | 638930007 | Plaque avant por boîtier du panneau de contrôle | 1 | 638930007 | Placa de encare para panel de control | 1 |
| 8 | 760700002 | Engine Stop Switch..... | 1 | 8 | 760700002 | Interrupteur d'arrêt du moteur | 1 | 760700002 | Interruptor de apagado del motor..... | 1 |
| 9 | 570409002 | Receptacle Cover (30 Amp)..... | 1 | 9 | 570409002 | Dispositif de protection de la prise (30 A)..... | 1 | 570409002 | Tapa del receptáculo (30 A) | 1 |
| 10 | 570409001 | GFCI Receptacle Cover | 1 | 10 | 570409001 | Dispositif de protection de la prise de fuite à la terre | 1 | 570409001 | Tapa del receptáculo de GFCI | 1 |
| 11 | 660901004 | Screw (#6-20 x 0.38 in., T15 Torx Pan Hd.) | 9 | 11 | 660901004 | Vis (#6-20 x 0,38 po, T15 tête bombée Torx)..... | 9 | 660901004 | Tornillo (#6-20 x 0,38 pulg., T15 cabeza tronc. Torx) | 9 |
| 12 | 678244002 | Speed Nut (#6-18)..... | 6 | 12 | 678244002 | Écrou rapide (#6-18) | 6 | 678244002 | Tuerca de rápido (#6-18)..... | 6 |
| 13 | 570766003 | Wire Protector (Rubber) | 1 | 13 | 570766003 | Protection de fil (caoutchouc) | 1 | 570766003 | Protección de alambre (goma)..... | 1 |
| 14 | 660899002 | Screw (#8-18 x 1/2 in., T20 Torx Pan Hd.) | 8 | 14 | 660899002 | Vis (#8-18 x 1/2 po, T20 tête bombée Torx)..... | 8 | 660899002 | Tornillo (#8-18 x 1/2 pulg. T20 cabeza tronc. Torx) | 8 |
| 15 | 519815006 | Control Panel Box | 1 | 15 | 519815006 | Boîtier du panneau de contrôle | 1 | 519815006 | Caja del panel de control | 1 |
| 16 | 660961002 | Screw (#6-10 x 1/2 in., T15 Torx Pan Hd.) | 1 | 16 | 660961002 | Vis (#6-10 x 1/2 po, T15 tête bombée Torx)..... | 1 | 660961002 | Tornillo (#6-10 x 1/2 pulg., T15 tête bombée Torx) | 1 |
| 17 | 638128005 | Spacer (4 mm)..... | 1 | 17 | 638128005 | Entretoise (4 mm) | 1 | 638128005 | Separador (4 mm) | 1 |
| 18 | 290405009 | Wire Harness | 1 | 18 | 290405009 | Harnais de fil | 1 | 290405009 | Alambre arcos | 1 |





| KEY P/N | DESCRIPTION | QTY | KEY P/N | DESCRIPTION | QTY | KEY P/N | DESCRIPTION | QTY |
|---------|--|-----|---------|---|-----|-----------|---|-----|
| 1 | 01010122002 Bolt (Cylinder Head Cover) | 1 | 29 | 01010404011 Piston Pin | 1 | 57 | 01011202006 Shaft | 1 |
| 2 | 01010123002 Bolt (Gasket) | 1 | 30 | 01010600018 Camshaft Assembly | 1 | 58 | 01011201008 Gear | 1 |
| 3 | 01010124002 Bolt (Oil Seal) | 1 | 31 | 01010400016 Connecting Rod Assembly | 1 | 59 | 01011103001 Gasket | 1 |
| 4 | 01010119015 Cylinder Head Cover | 1 | 32 | 0101050107351 Crankshaft Assembly | 1 | 60 | 01010702005 Gear Chamber Cover | 1 |
| 5 | 01010120003 Gasket (Cylinder Head Cover) | 1 | 33 | 01010304020 Bearing (6207) | 2 | 61 | 01010706019 Oil Dipstick | 1 |
| 6 | 01010116008 Hose (Cylinder Head Cover) | 1 | 34 | 01010302008 Drain Nut | 2 | 62 | 030201008 Bolt (M5 x 8 mm, Cross Pan Hd.) | 3 |
| 7 | 01010200008 Rocker Arm Assembly | 2 | 35 | 01010303004 Washer | 2 | 63 | 030304009 Bolt (M8 x 40 mm, Flange Hex Hd.) | 7 |
| 8 | 01010113007 Push Rod Guide Plate | 1 | 36 | 01010301065 Cylinder Block Assembly | 1 | 64 | 01030304001 Alternator Shroud | 1 |
| 9 | 01010112005 Exhaust Valve | 2 | 37 | 01010305020 Oil Seal | 2 | 65 | 01010114008 Intake Gasket | 1 |
| 10 | 01010111003 Valve Lock Clamp | 4 | 38 | 01010510002 Balancer Shaft | 1 | 66 | 01010905008 Insulator Plate | 1 |
| 11 | 01010110004 Spring Retainer | 2 | 39 | 01010304019 Bearing (6202) | 2 | 67 | 01010902011 Gasket | 1 |
| 12 | 01010128004 Intake Valve Guide | 1 | 40 | 030302036 Bolt (M6 x 16 mm, Flange Hex Hd.) | 2 | 68 | 01010900076 Carburetor Assembly | 1 |
| 13 | 01010106012 Valve Spring | 2 | 41 | 01011700015 Oil Circuit-Breaker Assembly | 1 | 69 | 01011302004 Gasket | 1 |
| 14 | 01010109002 Retainer Ring | 2 | 42 | 01011001018 Magneto Assembly | 1 | 70 | 01011301003 Bracket | 1 |
| 15 | 030303009 Stud (M10 x 80 mm) | 4 | 43 | 01011009006 Ignition Wire | 1 | 71 | 030402005 Hex Nut (M6) | 4 |
| 16 | 030309021 Stud (M8 x 35 mm) | 2 | 44 | 030302038 Bolt (M6 x 25 mm, Flange Hex Hd.) | 2 | 72 | 01011300034 Air Filter Box Assembly | 1 |
| 17 | 01011002009 Spark Plug | 1 | 45 | 01010800031 Flywheel Assembly | 1 | 73 | 030402007 Hex Nut (M5) | 6 |
| 18 | 01010102042 Gasket (Cylinder Head) | 1 | 46 | 01010505004 Key | 1 | 74 | 01011101055 Governor Base Assembly | 1 |
| 19 | 01010103006 Pin (Cylinder Head) | 2 | 47 | 01010802014 Fan | 1 | 75 | 01011110033 Governor Spring | 1 |
| 20 | 01010101020 Cylinder Head Assembly | 1 | 48 | 0101150102039 Recoil Assembly | 1 | 76 | 01011111011 Governor Spring | 1 |
| 21 | 030309022 Stud (M6 x 106 mm) | 2 | 49 | 030403007 Nut | 1 | 77 | 01011112011 Throttle Adjusting Handle | 1 |
| 22 | 01010104014 Intake Valve | 1 | 50 | 030203001 Screw (Square Hd.) | 1 | 78 | 01011107003 Clip | 1 |
| 23 | 01010105013 Exhaust Valve | 1 | 51 | 01010131016 Shroud | 1 | 79 | 01011106013 Rocker | 1 |
| 24 | 01010117012 Push Rod | 2 | 52 | 030302035 Bolt (M6 x 12 mm, Flange Hex Hd.) | 8 | 80 | 01010305011 Oil Seal | 1 |
| 25 | 01010118008 Tappet | 2 | 53 | 01010705004 Pin | 2 | 81 | 01011109015 Governor Arm | 1 |
| 26 | 01010402027 Piston | 1 | 54 | 01010704010 Gasket | 1 | | Not Shown: | |
| 27 | 01010403026 Piston Ring Set | 1 | 55 | 01011104004 Governor Slider | 1 | 120968009 | High Altitude Kit | |
| 28 | 01010405010 Clip | 2 | 56 | 01011204002 Retaining Ring | 1 | | (2,000-7,000 ft., Not Included) | |

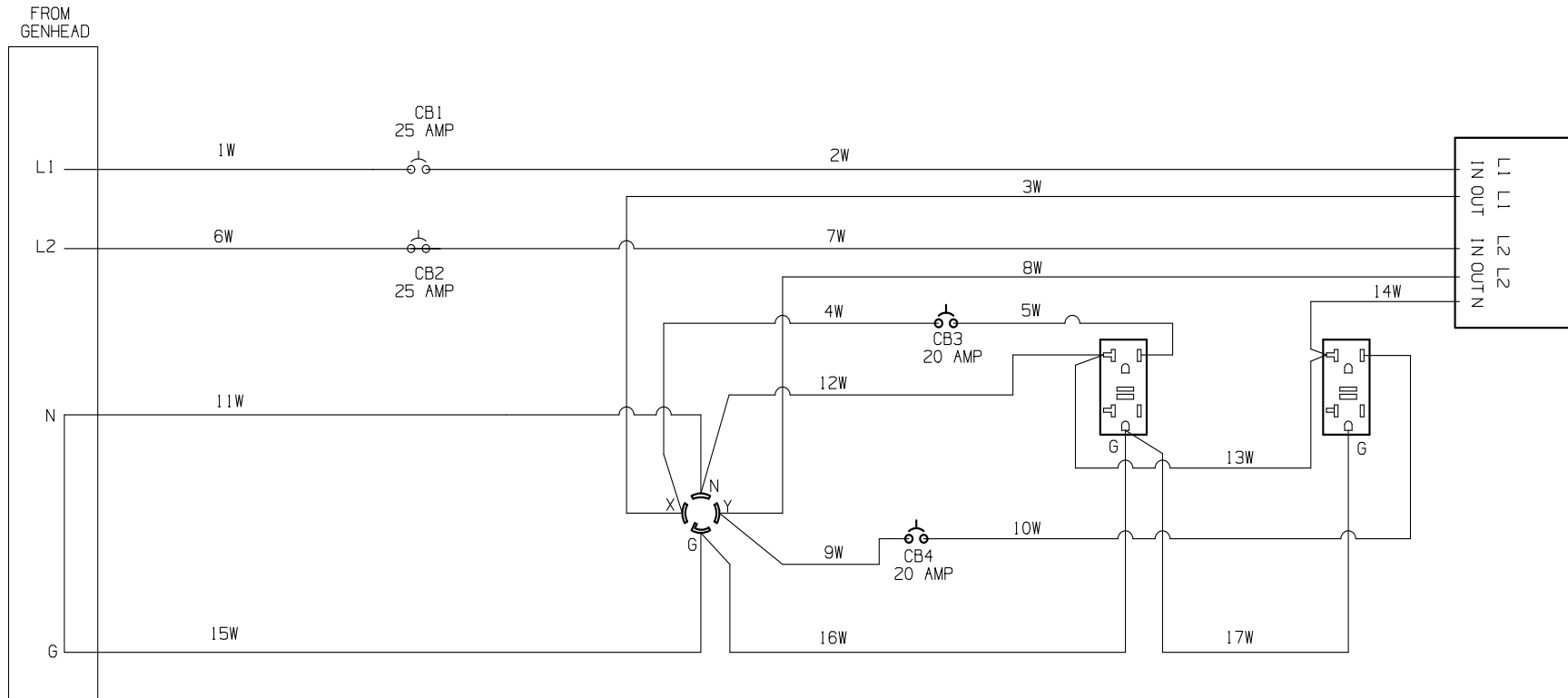




RD906500P

Figure / Figura E

| KEY | P/N | DESCRIPTION | QTY | PIÈCE RÉF. | DESCRIPTION | QTÉ | REF. N/P | DESCRIPCIÓN | CANT. |
|-----|-----------|---|-----|--------------|--|-----|--------------|--|-------|
| 1 | 660938011 | Bolt (M5 x 12 mm, Hex Flange Hd.)..... | 2 | 1 660938011 | Boulon (M5 x 12 mm, tête hex à épaulement) .. | 2 | 1 660938011 | Perno (M5 x 12 mm, cabeza hex. de brida)..... | 2 |
| 2 | 678296004 | Brush Cover | 1 | 2 678296004 | Couvercle de balai | 1 | 2 678296004 | Tapa de la escobilla | 1 |
| 3 | 660938012 | Bolt (M5 x 16 mm, Hex Flange Hd.)..... | 5 | 3 660938012 | Boulon (M5 x 16 mm, tête hex à épaulement) .. | 5 | 3 660938012 | Perno (M5 x 16 mm, cabeza hex. de brida)..... | 5 |
| 4 | 290440008 | Automatic Voltage Regulator | 1 | 4 290440008 | Régulateur de tension automatique..... | 1 | 4 290440008 | Regulador automático de voltaje | 1 |
| 5 | 290602003 | Terminal Block | 1 | 5 290602003 | Plaque à bornes | 1 | 5 290602003 | Bloque de terminales | 1 |
| 6 | 290441005 | Brush Assembly | 1 | 6 290441005 | Ensemble de balai..... | 1 | 6 290441005 | Conjunto de la escobilla | 1 |
| 7 | 661603034 | Rotor Bolt (M10 x 295 mm, Hex Hd.)..... | 1 | 7 661603034 | Boulon de rotor (M10 x 295 mm, tête hex) | 1 | 7 661603034 | Perno del rotor (M10 x 295 mm, cabeza hex.)..... | 1 |
| 8 | 661603031 | Stator Bolt (M10 x 210 mm, Hex Hd.)..... | 4 | 8 661603031 | Boulon de stator (M10 x 210 mm, tête hex) | 4 | 8 661603031 | Perno de estator (M10 x 210 mm, cabeza hex.)..... | 4 |
| 9 | 638623002 | Washer (ID10.5 x OD28 x 2t)..... | 1 | 9 638623002 | Rondelle (ID10,5 x OD28 x 2t)..... | 1 | 9 638623002 | Arandela (ID10,5 x OD28 x 2t) | 1 |
| 10 | 660938033 | Bolt (M5 x 245 mm, Hex Hd.)..... | 2 | 10 660938033 | Boulon (M5 x 245 mm, tête hex)..... | 2 | 10 660938033 | Perno (M5 x 245 mm, cabeza hex.) | 2 |
| 11 | 678865003 | Bearing Housing | 1 | 11 678865003 | Logement de roulement..... | 1 | 11 678865003 | Cubierta de conjinete..... | 1 |
| 12 | 310772042 | Stator | 1 | 12 310772042 | Stator | 1 | 12 310772042 | Estator..... | 1 |
| 13 | 310771041 | Rotor | 1 | 13 310771041 | Rotor | 1 | 13 310771041 | Rotor | 1 |
| 14 | 690840002 | Nut (M5) | 2 | 14 690840002 | Écrou (M5)..... | 2 | 14 690840002 | Tuerca (M5) | 2 |
| 15 | 638624020 | Generator Head Cover..... | 1 | 15 638624020 | Couverture de tête de générateur..... | 1 | 15 638624020 | Cubierta de la cabeza del generador..... | 1 |
| 16 | 570766002 | Rubber Boot..... | 1 | 16 570766002 | Gaine caoutchoutée..... | 1 | 16 570766002 | Botas de goma..... | 1 |
| 17 | 681963001 | Ball Bearing (190 mm)..... | 1 | 17 681963001 | Roulement à billes (190 mm)..... | 1 | 17 681963001 | Cojinete de bolas (190 mm) | 1 |
| 18 | 307471001 | Fan (190 mm) | 1 | 18 307471001 | Ventilateur (190 mm) | 1 | 18 307471001 | Ventilador (190 mm) | 1 |



| ITEM | END A | TERMINAL A | END B | TERMINAL B | WIRE SIZE | WIRE COLOR | LENGTH (MM) |
|------|-------------------------|--------------|------------------------------|------------|-----------|--------------|-------------|
| 1W | GENERATOR HEAD "L1" | Y5-5C(CHINA) | CB1 - 25A | 53016 | 12 | BLACK | 770 |
| 2W | | | PART OF THE GENSMART DISPLAY | | | | |
| 3W | | | PART OF THE GENSMART DISPLAY | | | | |
| 4W | L14-30R RECEPTACLE "X" | 53016 | CB3 - 20A | 640102-1 | 14 | BLACK | 95 |
| 5W | CB3 - 20A | 640102-1 | RECEPTACLE 1 - 6FC1 "L" | 53012 | 14 | BLACK | 70 |
| 6W | GENERATOR HEAD "L2" | Y5-5C(CHINA) | CB2 - 25A | 53016 | 12 | RED | 770 |
| 7W | | | PART OF THE GENSMART DISPLAY | | | | |
| 8W | | | PART OF THE GENSMART DISPLAY | | | | |
| 9W | L14-30R RECEPTACLE "Y" | 53016 | CB4 - 20A | 640102-1 | 14 | RED | 75 |
| 10W | CB4 - 20A | 640102-1 | RECEPTACLE 2 - 6FC1 "L" | 53012 | 14 | RED | 105 |
| 11W | GENERATOR HEAD "N" | Y5-5C(CHINA) | L14-30R RECEPTACLE "N" | 53016 | 12 | WHITE | 770 |
| 12W | L14-30R RECEPTACLE "N" | 53016 | RECEPTACLE 1 - 6FC1 "N" | 53016 | 14 | WHITE | 180 |
| 13W | RECEPTACLE 1 - 6FC1 "N" | 53012 | RECEPTACLE 2 - 6FC1 "N" | 53012 | 14 | WHITE | 105 |
| 14W | | | PART OF THE GENSMART DISPLAY | | | | |
| 15W | GENERATOR HEAD "G" | | L14-30R RECEPTACLE "G" | | 12 | GREEN/YELLOW | 720 |
| 16W | L14-30R RECEPTACLE "G" | 53016 | RECEPTACLE 1 - 6FC1 "G" | 53016 | 12 | GREEN/YELLOW | 155 |
| 17W | RECEPTACLE 1 - 6FC1 "G" | 53012 | RECEPTACLE 2 - 6FC1 "G" | 53012 | 14 | GREEN/YELLOW | 115 |

WIRING DIAGRAM / SCHÈMA DE CÂBLAGE / DIAGRAMA DE CABLEADO