



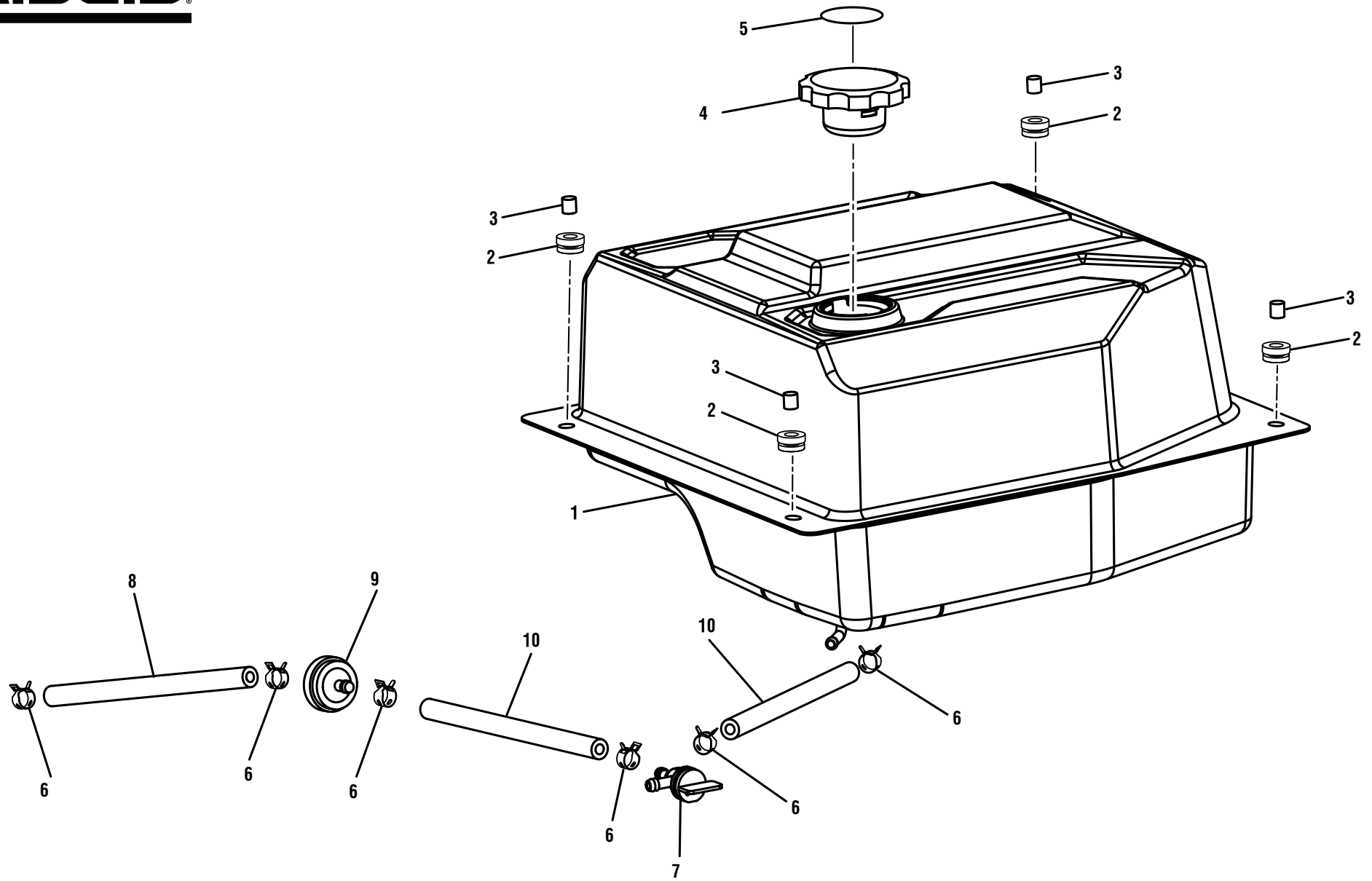
# RD903600

## Figure / Figura A

KEY	P/N	DESCRIPTION	QTY	KEY	P/N	DESCRIPTION	QTY	KEY	P/N	DESCRIPTION	QTY
1	940647041	Choke Label.....	1	27	941486005	Inquires Label.....	1	52	308581033	Frame Assembly.....	1
2	Note A	Engine (Subaru SP210 EPA).....	1	28	940974007	Fire Danger Label.....	1	53	940708019	Lubricant Label.....	1
3	309323001	Muffler.....	1	29	519712003	End Cap (31 mm).....	2	54	660901005	Screw (1/4-20 x 2 in., Hex Hd.).....	2
4	638147003	Spark Arrester.....	1	30	638497026	Heat Shield.....	1	55	638128004	Washer (1/4 in.).....	4
5	661306001	Screw (8-32 x 3/8 in., Pan Hd.).....	4	31	678610002	Lock Nut (M4).....	1	56	660154001	Bolt (M6 x 20 mm, Hex Hd.).....	2
6	940971068	Warning Hangtag.....	1	32	570712001	Bumper.....	1	57	570554001	Wear Pad.....	2
7	661833002	Axle Bolt (1/2-13 x 4-1/4 in., Hex Hd.).....	2	33	678600002	Washer (M4).....	1	58	638706009	Left Foot.....	1
8	638275002	Washer (1/2 in.).....	4	34	661555001	Bolt (M4 x 12.5 mm, Hex Socket Pan Hd.).....	1	59	660591006	Bolt (5/16-18 x 1.5 in.).....	1
9	308451035	Wheel.....	2	35	678824002	J-Clip (1/4-20).....	4	60	940947003	Spark Arrestor Label.....	1
10	940595002	Zero Gravity Label.....	2	36	940758005	Pin Release Label.....	1	61	678189005	Lock Nut (1/2-13).....	2
11	678518002	Lock Nut (1/2-20, Hex Hd.).....	1	37	940513018	Ground Warning Label.....	1	62	638706010	Right Foot.....	1
12	308910005	Handle Lock Assembly (Release Pin).....	1	38	678522027	Handle Pivot Bolt.....	2	63	760700002	Switch (Momentary Contact).....	1
13	678016006	Lock Nut (1/4-20).....	8	39	638128002	Washer (5/16 in.).....	2	64	940617104	Quick Start Label.....	1
14	661555002	Bolt (1/4-20 x 2.1 in., T30 Torx Pan Hd.).....	6	40	678259003	Lock Nut (5/16-18).....	2	65	519707008	Fuel Shut Off/Low Oil Panel.....	1
15	290403036	Control Panel Assembly (See Figure C).....	1	41	310224038	Handle Assembly.....	1	66	660899002	Screw (8-18 x 1/2 in., T20 Torx Hd.).....	10
16	940639007	Subaru Logo Label (Powered by).....	1	42	940513002	Ground Label.....	1	67	519815003	Receptacle Box (Control Panel).....	1
17	940705168	Logo Label.....	2	43	940678254	Data Label.....	1	68	290427003	Wire Assembly (18 AWG, Green).....	1
18	940596015	Performance Label.....	1	44	310227038	Generator Head Assembly (See Figure D).....	1	69	638703001	Ground Lug.....	1
19	940872003	E85 Label.....	1	45	678460001	Lock Nut (M6).....	2	70	290405005	Wire Assembly (18 AWG, Black).....	1
20	570766003	Rubber Boot (Wiring).....	1	46	679940001	Isolator (45°).....	4	71	290455001	Bonding Wire.....	1
21	638387002	Washer (1/4 in.).....	8	47	661502005	Bolt (5/16-18 x 3/4 in.).....	1	72	678774003	Lock Nut (M8 x 1.25 mm).....	8
22	660901003	Screw (1/4-20 x 1 in., T30, Torx Hd.).....	4	48	678145002	Hex Flange Nut (5/16-18).....	2	<b>Not Shown:</b>			
23	940974089	Fire Distance Label.....	1	49	290404001	Ground Wire Assembly.....	1	988000874	Operator's Manual		
24	940680027	Hot Surface Label.....	1	50	519812005	Slide Rail.....	2	988000876	Quick Reference Guide		
25	940515017	CPSC Label.....	1	51	660900002	Screw (1/4-15 x 1-1/2 in., T27 Torx Pan Hd.).....	6				
26	940707093	Danger Label.....	1								

**NOTE A:** OWT Industries, Inc., will not provide engines as replacement parts. Engines are covered through the engine manufacturer's warranty. Consult the accompanying engine manual or contact our service department for assistance.

**WARNING:** To avoid possible personal injury or equipment damage, a registered electrician or an authorized service representative should perform installation and all service. Under no circumstances should an unqualified person attempt to wire into a utility circuit.

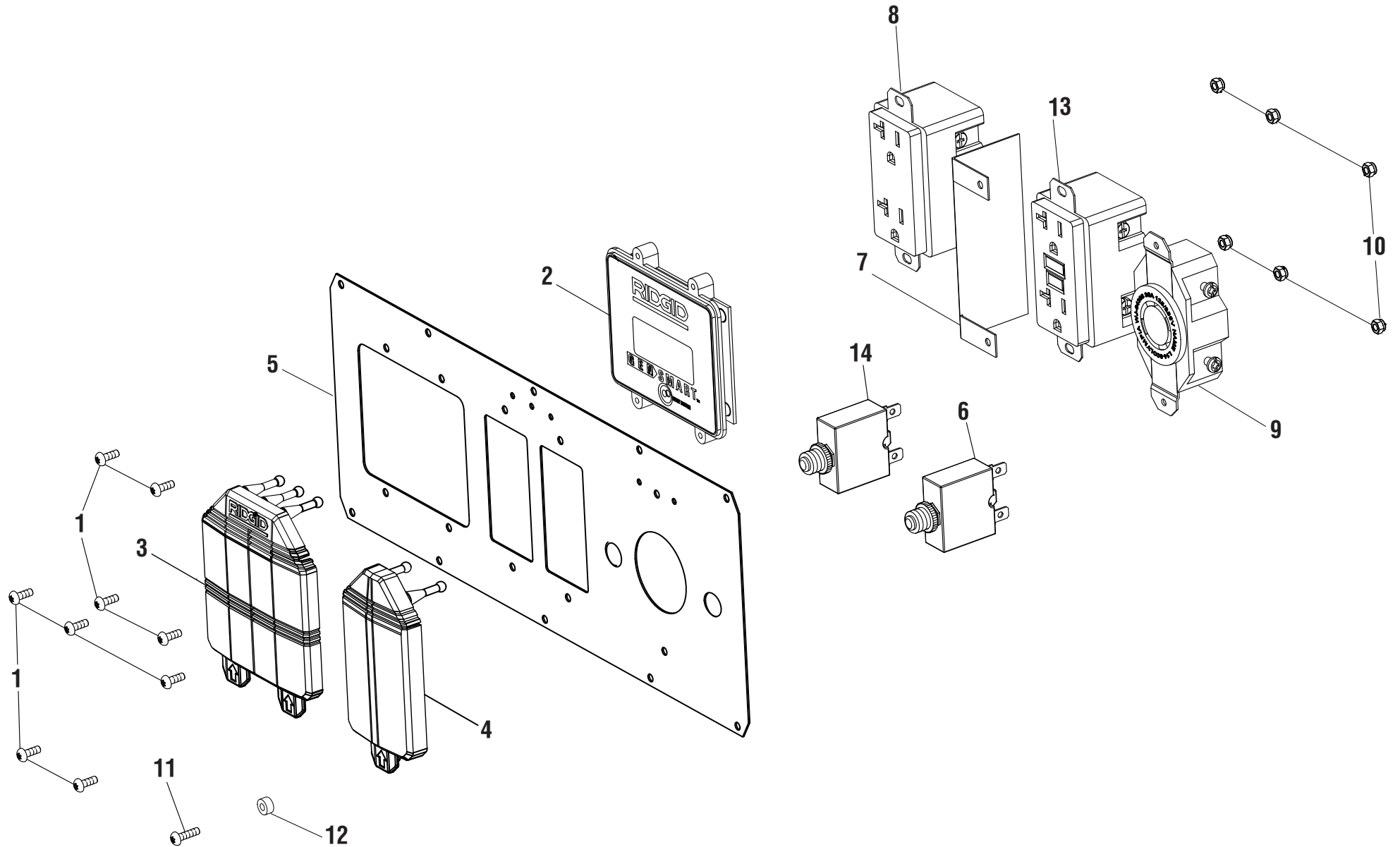




**RD903600**

**Figure / Figura B**

KEY	P/N	DESCRIPTION	QTY	PIÈCE RÉF.	DESCRIPTION	QTÉ	REF.	N/P	DESCRIPCIÓN	CANT.
1	310711103	Fuel Tank.....	1	1 310711103	Réservoir de carburant .....	1	1	310711103	Tanque de combustible.....	1
2	519832003	Bushing.....	4	2 519832003	Douille .....	4	2	519832003	Buje.....	4
3	518528002	Bushing Insert (Fuel Tank Spacer) .....	4	3 518528002	Douille d'insert (entretoise du réservoir de carburant).....	4	3	518528002	Buje de inserción (separador del tanque de combustible).....	4
4	310720025	Fuel Cap (Small).....	1	4 310720025	Bouchon de carburant (petite) .....	1	4	310720025	Tapa del tanque de combustible (pequeña).....	1
5	940872006	Fuel Stabilizer Label.....	1	5 940872006	Étiquette de stabilisateur de carburant.....	1	5	940872006	Etiqueta de estabilizador de combustible.....	1
6	678408006	Fuel Line Clamp (1/2 in.) .....	6	6 678408006	Bride de conduite de carburant (1/2 po).....	6	6	678408006	Abrazadera de conducto de combustible (1/2 po).....	6
7	308459002	Fuel Shut Off Valve.....	1	7 308459002	Robinet de carburant.....	1	7	308459002	Válvula combustible.....	1
8	570358072	Fuel Hose (295 mm).....	1	8 570358072	Tuyau flexible de carburant (295 mm).....	1	8	570358072	Manguera de combustible (295 mm) .....	1
9	308733008	Fuel Filter (1/4 in.).....	1	9 308733008	Filtre à carburant (1/4 po).....	1	9	308733008	Filtro de combustible (1/4 pulg.) .....	1
10	570358073	Fuel Hose (295 mm).....	2	10 570358073	Tuyau flexible de carburant (295 mm).....	2	10	570358073	Manguera de combustible (295 mm) .....	2

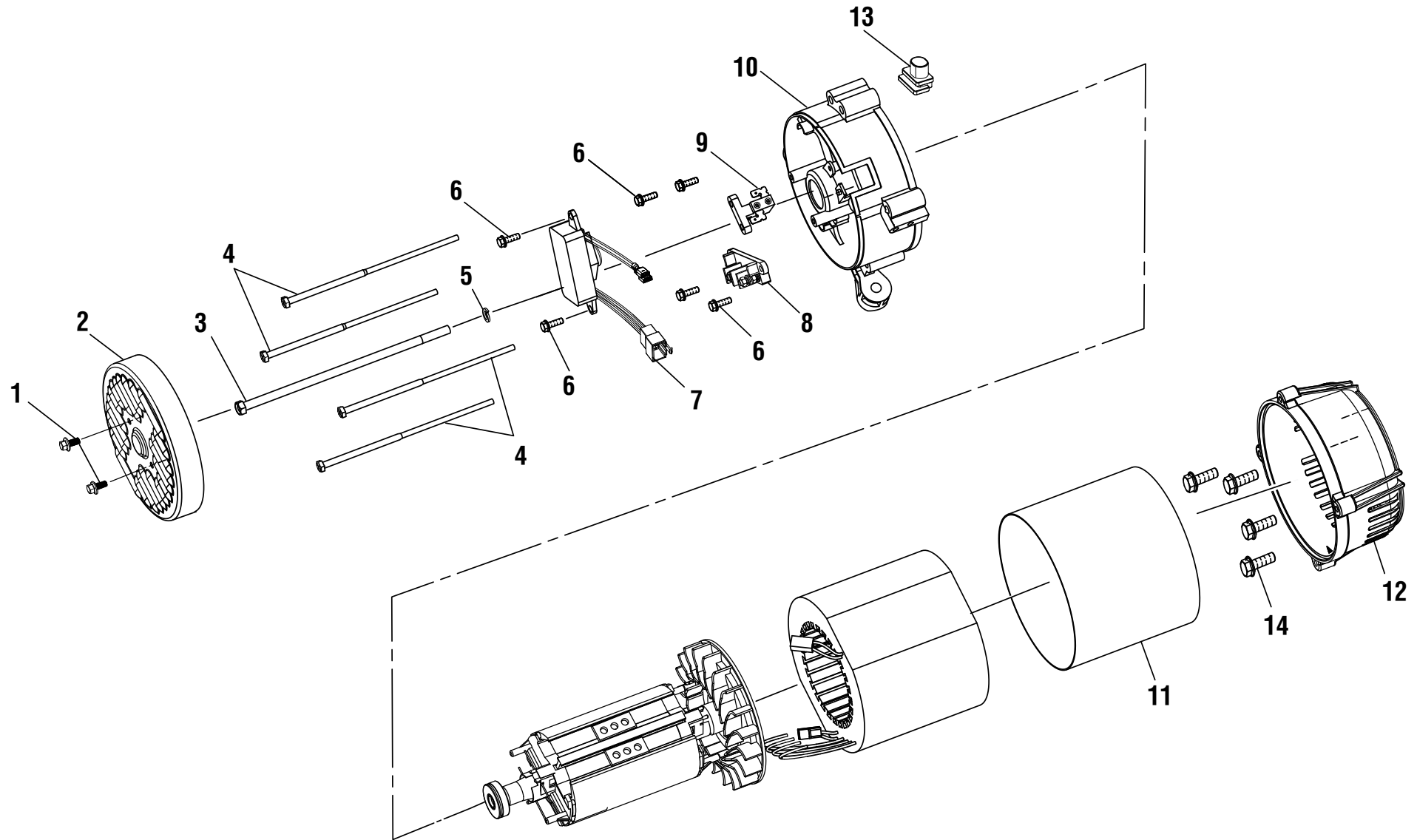




# RD903600

## Figure / Figura C

KEY	P/N	DESCRIPTION	QTY	PIÈCE RÉF.	DESCRIPTION	QTÉ	REF.	N/P	DESCRIPCIÓN	CANT.
1	660901004	Screw (6-20 x 3/8 in., Torx Hd.) .....9	9	1 660901004	Vis (6-20 x 3/8 po, empreinte à six pans).....9	9	1	660901004	Tornillo (6-20 x 3/8 pulg., cabeza de torx) .....9	9
2	290432007	GenSMART Display..... 1	1	2 290432007	Système de surveillance GenSmart..... 1	1	2	290432007	Sistema de monitoreo GenSmart ..... 1	1
3	570409001	GFCI Receptacle Cover ..... 1	1	3 570409001	Dispositif de protection de la prise de fuite à la terre ..... 1	1	3	570409001	Tapa del receptáculo de GFCI ..... 1	1
4	570409002	Receptacle Cover (30 Amp)..... 1	1	4 570409002	Dispositif de protection de la prise (30 A)..... 1	1	4	570409002	Tapa del receptáculo (30 A) ..... 1	1
5	638496025	Control Panel Faceplate..... 1	1	5 638496025	Plaque avant por boîtier du panneau de contrôle ..... 1	1	5	638496025	Placa de encare para panel de control ..... 1	1
6	780350001	Circuit Breaker (20 Amp, 125 Volt, 1 Pole)..... 1	1	6 780350001	Disjoncteur de c.a. alternatif (20 A, 125 V)..... 1	1	6	780350001	Disyuntor de circuito (20 A, 125 V)..... 1	1
7	902114002	GFCI Insulator..... 1	1	7 902114002	Isolateur de fuite à la terre ..... 1	1	7	902114002	Aislante de GFCI ..... 1	1
8	290400008	120V Receptacle (Square Face)..... 1	1	8 290400008	Prise de 120 V ..... 1	1	8	290400008	Receptáculo de 120 V ..... 1	1
9	290400005	120 Volt Twist Lock Receptacle (30 Amp)..... 1	1	9 290400005	Prise de 120 de verrouillage par rotation (30 A) ..... 1	1	9	290400005	Receptáculo de 120 V de fijación por giro (30 A) ..... 1	1
10	678720001	Lock Nut (6-32) ..... 6	6	10 678720001	Écrou de blocage (6-32)..... 6	6	10	678720001	Contratuerca (6-32)..... 6	6
11	660961002	Screw (6-10 x 1/2 in., T15 Torx Hd.) ..... 1	1	11 660961002	Vis (6-10 x 1/2 po, T15 empreinte à six pans) ... 1	1	11	660961002	Tornillo (6-10 x 1/2 pulg., T15 cabeza de torx)..... 1	1
12	638128005	Spacer (4 mm)..... 1	1	12 638128005	Entretoise (4 mm) ..... 1	1	12	638128005	Separador (4 mm) ..... 1	1
13	290400010	120 Volt Duplex GFCI Receptacle ..... 1	1	13 290400010	Prise double de disjoncteur de fuite à la terre de 120V ..... 1	1	13	290400010	Receptáculo doble de 120 V con GFCI ..... 1	1
14	780351001	Circuit Breaker (30 Amp, 125 Volt)..... 1	1	14 780351001	Disjoncteur de circuit (30 A, 125 V)..... 1	1	14	780351001	Disyuntor de circuitos (30 A, 125 V)..... 1	1





**RD903600**

**Figure / Figura D**

KEY	P/N	DESCRIPTION	QTY	PIÈCE RÉF.	DESCRIPTION	QTÉ	REF.	N/P	DESCRIPCIÓN	CANT.
1	660938027	Bolt (M5 x 10 mm, Hex Hd.).....	2	1 660938027	Boulon (M5 x 10 mm, à tête hex).....	2	1	660938027	Perno (M5 x 10 mm, cabeza hex.).....	2
2	678296006	Brush Cover .....	1	2 678296006	Couvercle de balai.....	1	2	678296006	Tapa de la escobilla.....	1
3	661557022	Bolt (5/16-24 x 220 mm, Hex Hd.) .....	1	3 661557022	Boulon (5/16-24 x 220 mm, à tête hex).....	1	3	661557022	Perno (5/16-24 x 220 mm, cabeza hex.).....	1
4	661603019	Bolt (M6 x 180 mm, Hex Hd.).....	4	4 661603019	Boulon (M6 x 180 mm, à tête hex).....	4	4	661603019	Perno (M6 x 180 mm, cabeza hex.) .....	4
5	638678012	Lock Washer (25.1 x 8.4 x 3t).....	1	5 638678012	Rondelle de blocage (25,1 x 8,4 x 3t).....	1	5	638678012	Arandela de seguridad (25,1 x 8,4 x 3t) .....	1
6	660938026	Bolt (M5 x 16 mm, Hex Hd.).....	6	6 660938026	Boulon (M5 x 16 mm, à tête hex).....	6	6	660938026	Perno (M5 x 16 mm, cabeza hex.) .....	6
7	290440009	Automatic Voltage Regulator.....	1	7 290440009	Régulateur de tension automatique.....	1	7	290440009	Regulador automático de voltaje .....	1
8	290602008	Terminal Block.....	1	8 290602008	Plaque à bornes .....	1	8	290602008	Bloque de terminales .....	1
9	290441008	Brush Assembly .....	1	9 290441008	Ensemble de balai.....	1	9	290441008	Conjunto de la escobilla.....	1
10	678865006	Bearing Housing.....	1	10 678865006	Logement de roulement.....	1	10	678865006	Cubierta de conjinete .....	1
11	638624013	Generator Head Cover .....	1	11 638624013	Couverture de tête de générateur .....	1	11	638624013	Cubierta de la cabeza del generador.....	1
12	640331008	Adapter Housing .....	1	12 640331008	Logement de l'adaptateur.....	1	12	640331008	Caracasa del adaptador.....	1
13	570766008	Rubber Boot.....	1	13 570766008	Gaine caoutchoutée.....	1	13	570766008	Botas de goma.....	1
14	660599022	Bolt (5/16-24 x 5/8 in., Hex Hd.).....	4	14 660599022	Boulon (5/16-24 x 5/8 po, six pans).....	4	14	660599022	Perno (5/16-24 x 5/8 pulg., cab. hex.).....	4