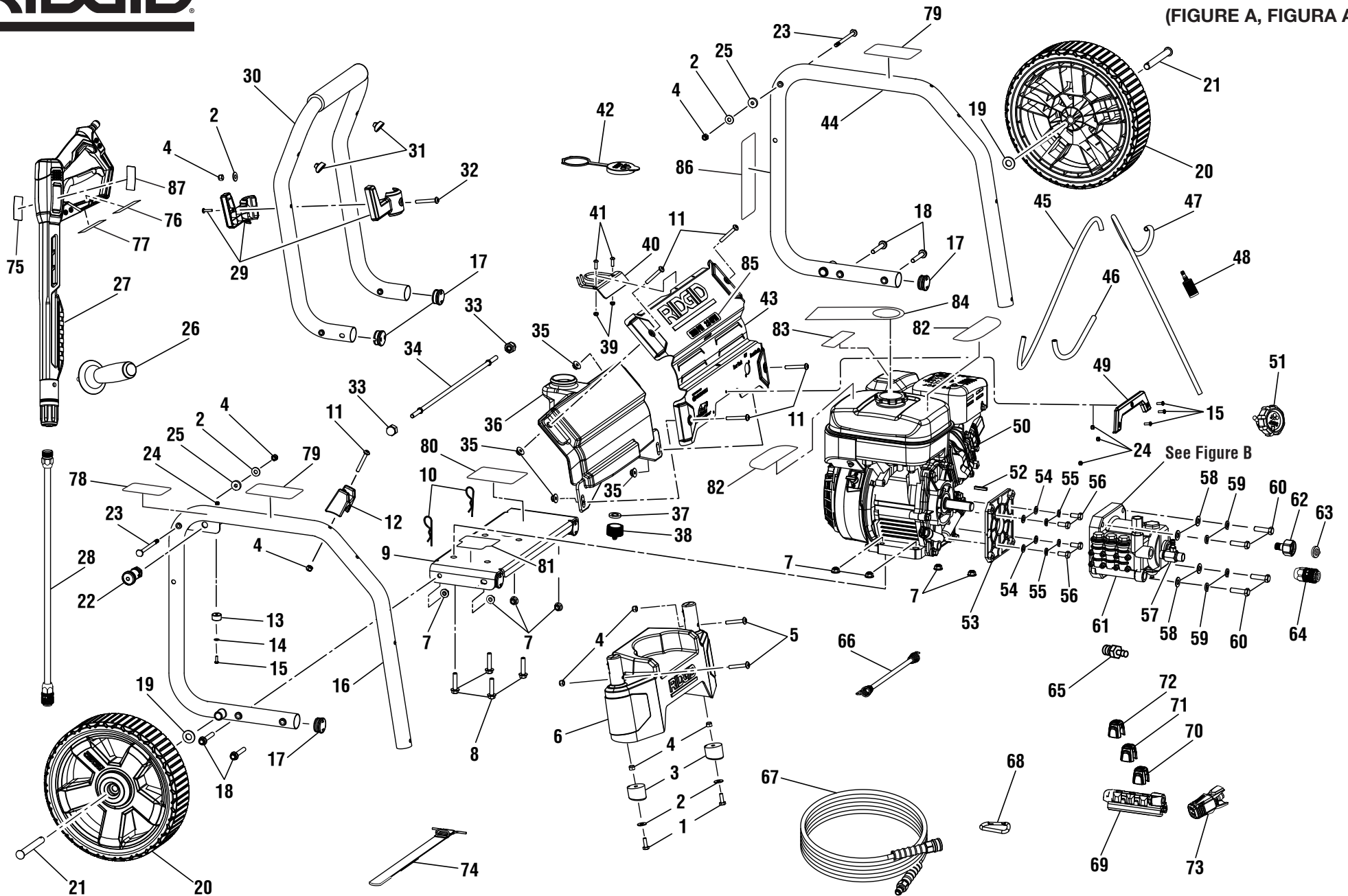


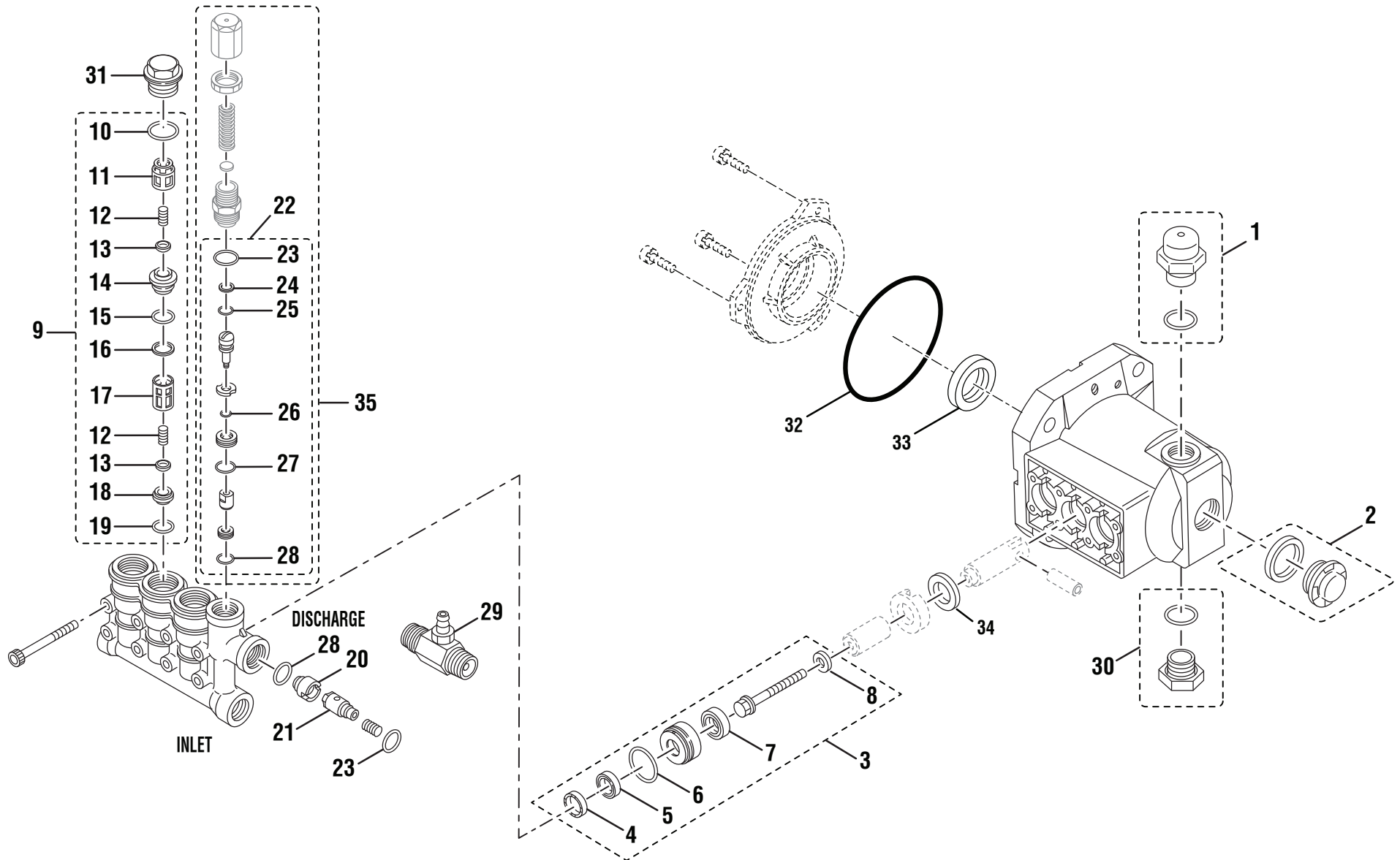
FIGURE A
(FIGURE A, FIGURA A)





RD80701/RD80903 Gasoline Pressure Washer

KEY	P/N	DESCRIPTION	QTY	KEY	P/N	DESCRIPTION	QTY	KEY	P/N	DESCRIPTION	QTY
1	661503002	Bolt (1/4 x 19 mm, Hex Hd.)	2	32	660592004	Screw (1/4-20 x 2 in., Pan Hd.)	1	63	308662001	Filter Screen	1
2	638128004	Washer (1/4 in.)	5	33	678681001	Cap Nut	2	64	308988001	3/8 in. Quick Connect (Female Coupler)	1
3	561307001	Rubber Foot	2	34	678617005	Bar	1	65	678169004	Thermal Release Valve	1
4	678016006	Lock Nut (1/4 in.)	8	35	678660001	Lock Nut (1/4-20)	4	66	308531002	Bungee Cord With Hooks	1
5	660592005	Bolt (1/4 x 42 mm, Pan Hd.)	2	36	310658003	Soap Tank Assembly	1	67	308835037	High Pressure Hose	1
6	308909003	Front Support Assembly (Inc. Key Nos. 1-4)	1	37	308283003	Filter Screen	1	68	638637002	Spring Clip	1
7	678774001	Lock Nut (M8 x 1-1/4 in.)	8	38	308985002	Soap Barb Assembly (Inc. Key No. 37)	1	69	570727004	Nozzle Holder	1
8	661505005	Bolt (M8 x 36 mm, Hex Hd.)	4	39	678390001	Hex Nut (M5)	2	70	308697010	Nozzle, 0° (Red)	1
9	638662005	Engine Plate	1	40	308316001	Wand Holder Storage	1	71	308699010	Nozzle, 25° (Green)	1
10	678238001	Hitch Pin	2	41	660976002	Bolt (M5 x 16 mm, Pan Hd.)	2	72	308700010	Nozzle, 40° (White)	1
11	661501001	Screw (1/4-20 x 2 in., Torx Truss Hd.)	5	42	310650001	Soap Tank Cap	1	73	310660002	Dual Power Soap Nozzle	1
12	518931003	Lower Wand Holder	1	43	638671002	Face Plate	1	74	308350001	Hook-And-Loop Strap	1
13	570712001	Rubber Bumper	1	44	308939004	Left Frame Assembly (Inc. Key No. 17)	1	75	940726009	Trigger Handle Logo Label	1
14	678600002	Washer (M4)	1	45	570728001	Pump Hose	1	76	940786002	Wand Label (Max Rating)	1
15	661555001	Bolt (M4 x 0.7 x 12 mm)	4	46	570728002	Tank Hose	1	77	940654058	Trigger Handle Warning Label (French/Spanish)	1
16	308938009	Right Frame Assembly (Inc. Key Nos. 13-15, 17 and 24)	1	47	570728003	Bottle Hose	1	78	940693003	Handle Release Label	1
17	518932001	Handle Tube Cap	4	48	518391001	Filter (Injection Hose)	1	79	940595005	Zero Gravity Label	2
18	661505003	Bolt (M8 x 50 mm, Hex Hd.)	4	49	518926001	Bottle Bumper	1	80	986995006	Data Label (RD80701)	1
19	638275002	Washer (1/2 in.)	2	50	309590001	SP170 Engine (RD80701)	1		986995008	Data Label (RD80903)	1
20	308451003	Wheel (12 in. x 3 in.)	2		309590002	SP170 Engine (RD80903)	1	81	940780001	Pump Quick Start Label	1
21	620598001	Axle	2	51	120900032	3-Way Valve Kit	1	82	940654053	Warning Label	1
22	308910001	Handle Knob	1	52	678793001	Key	1	83	940778003	Hot Muffler Label	1
23	678406004	Connector Pin (1/4 in.)	2	53	638642001	Pump Flange	1	84	940971011	Engine Oil (Hang Tag)	1
24	678610002	Lock Nut (M4)	4	54	638675002	Washer (5/16 in.)	4	85	940779003	Performance Label	1
25	518724002	Washer (D20 x D8 x 5t)	2	55	638678001	Lock Washer (5/16 in.)	4	86	940617012	Engine Quick Start Label	1
26	513122001	Auxiliary Handle	1	56	661557001	Bolt (5/16-24 x 3/4 in., Hex Hd.)	4	87	940654061	Trigger Handle Warning Label (English)	1
27	120950013	Trigger Handle Assembly	1	57	310735001	Chemical Injector	1		Not Shown:		
28	308494004	Spray Wand (21 in.)	1	58	638386002	Washer (3/8 in.)	4	88	N/A	Oil (SAE 30 or SAE 10W30)	1
29	120900031	Wand Holder Kit	1	59	638679001	Lock Washer (3/8 in.)	4	89	987000277	Operator's Manual	1
30	308940002	Handle Assembly (Inc. Key Nos. 17 and 31)	1	60	661558001	Bolt (3/8-16 x 1-3/8 in. Hex Hd.)	4	90	987000278	Replacement Parts List	1
31	570733001	Bumper	2	61	308694008	Pump (Inc. Key Nos. 52-60)	1	91	987000279	Assembly Guide	1
				62	308692003	Garden Hose Coupler (Inc. Key No. 63)	1				





RD80701/RD80903 Pump/Pompe/Bomba

KEY	P/N	DESCRIPTION	QTY	PIÈCE RÉF.	DESCRIPTION	QTÉ	REF.	N/P	DESCRIPCIÓN	CANT.
1	310733003	Oil Fill Cap w/O-ring.....	1	310733003	Capuchon, orifice de remplissage d'huile, avec joint torique.....	1	1	310733003	Tapa, orificio de llenado para aceite con junta tórica	1
2	308688006	Gauge	1				2	308688006	Escala.....	1
3	120440001	Seal Kit (Inc. Key Nos. 4-8).....	1	2	308688006	Jauge	3	120440001	Kit del sello (incl. pzas. núms. ref. 4 a 8)	1
4	308405004	Adapter (Male).....	3	3	120440001	Kit de joint (incl. pièces no. 4 à 8)	4	308405004	Adaptador (macho)	3
5	570436001	V-Packing.....	3	4	308405004	Adaptateur (mâle).....	5	570436001	Embalaje de labios múltiples	3
6	570742004	Seal Case O-Ring	3	5	570436001	Garniture chevron	6	570742004	Junta tórica, estuche para sellos	3
7	570763004	Seal	3	6	570742004	Joint torique carter de joint d'étanchéité	7	570763004	Sello	3
8	570435001	Washer (Seal)	3	7	570763004	Joint d'étanchéité	8	570435001	Arandela (sello).....	3
9	120441001	Valve Assembly (Inc. Key Nos. 10-19)	1	8	570435001	Rondelle (joint d'étanchéité)	9	120441001	Conjunto de válvula (incl. pzas. núms. ref. 10 a 19)	1
10	570742007	O-Ring (Plug).....	3	9	120441001	Ensemble de soupape (incl. pièces no. 10 à 19)	10	570742007	Junta tórica, clavija	3
11	521407001	Spring Retainer	3	10	570742007	Joint torique, bouchon.....	11	521407001	Retén de resorte	3
12	678519005	Spring.....	6	11	521407001	Retenue de ressort.....	12	678519005	Resorte.....	6
13	678169008	Valve.....	6	12	678519005	Ressort.....	13	678169008	Válvula.....	6
14	310402001	Discharge Seat.....	3	13	678169008	Soupape.....	14	310402001	Asiento de descarga	3
15	570742006	O-Ring (Discharge Seat)	3	14	310402001	Assise de refoulement.....	15	570742006	Junta tórica, asiento de descarga.....	3
16	521409001	O-Ring (Discharge Seat)	3	15	570742006	Joint torique, assise de refoulement..	16	521409001	Junta tórica, asiento de descarga.....	3
17	521406001	Spring Retainer (Inlet).....	3	16	521409001	Joint torique, assise de refoulement..	17	521406001	Retén de resorte (entrada)	3
18	521408001	Inlet Seat	3	17	521406001	Retenue de ressort (admission)	18	521408001	Asiento, entrada.....	3
19	570742005	O-Ring (Inlet Seat).....	3	18	521408001	Assise, admission	19	570742005	Junta tórica, asiento de entrada	3
20	678842001	Check Valve Seat	1	19	570742005	Joint torique, assise d'admission	20	678842001	Asiento, válvula de retención.....	1
21	308826003	Valve.....	1	20	678842001	Assise, clapet antiretour	21	308826003	Válvula, control con junta tórica.....	1
22	120442001	O-Ring Kit (Inc. Key Nos. 23-28).....	1	21	308826003	Valve, clapet antiretour avec joint torique	22	120442001	Juego, junta tórica (incl. pzas. núms. ref. 23 a 28)	1
23	570742010	O-Ring (Piston Retainer)	2	22	120442001	Ensemble, joint torique (incl. pièces no. 23 à 28)	23	570742010	Retén de pistón (junta tórica).....	2
24	310403001	Back-up-Ring (Piston Stem)	1	23	570742010	Retenue de piston (joint torique).....	24	310403001	Anillo de respaldo vástago del pistón.....	1
25	570742008	O-Ring (Piston Stem)	1	24	310403001	Bague d'appui, tige de piston.....	25	570742008	Junta tórica, vástago del pistón.....	1
26	570742011	O-Ring (Inner Valve Retainer).....	1	25	570742008	Joint torique, tige de piston	26	570742011	Junta tórica, retén de válvula (interior)	1
27	570742009	O-Ring (Outer).....	1	26	570742011	Joint torique, coupelle d'appui de soupape (interne)	27	570742009	Junta tórica, retén de válvula (exterior)	1
28	570742012	Seat O-Ring	2	27	570742009	Joint torique, coupelle d'appui de soupape (extérieure)	28	570742012	Asiente el anillo o	2
29	310735002	Fixed Injector (M18 x 1 mm)	1	28	570742012	Posez le joint circulaire	29	310735002	Fuego de inyector fijo (M18 x 1 mm) .	1
30	310923001	Drain Plug	1	29	310735002	Fixe d'injecteur (M18 x 1 mm).....	30	310923001	Tapón de drenaje	1
31	679405002	Plug.....	3	30	310923001	Bouchon de vidange.....	31	679405002	Tapón	3
32	570742070	O-Ring.....	1	31	679405002	Bouchon.....	32	570742070	Anillo en "O".....	1
33	570742069	Oil Seal.....	1	32	570742070	Joint torique en O	33	570742069	Aceite el sello	1
34	570763007	Oil Seal.....	1	33	570742069	Joint d'huile.....	34	570763007	Aceite el sello	1
35	310924001	Unloader Assembly (Inc. Key No. 22) 1	1	34	570763007	Joint d'huile.....	35	310924001	Conjunto del descargador (incl. pza. núm. ref. 22).....	1
	NOT SHOWN			35	310924001	Ensemble déchargeur (incl. pièce réf. 22).....				
	900906018	Bottle Oil	1							
					PAS ILLUSTRÉ			NO SE MUESTRA		
					900906018	Bouteille d'huile.....			900906018	Aceite en botella