

FIGURE A



RD80786 Electric Pressure Washer

FIGURE A PARTS LIST

KEY	P/N	DESCRIPTION	QTY	KEY	P/N	DESCRIPTION	QTY
1	099955001066	Foot Cover.....	2	25	099955001076	Spring Holder	1
2	099955004036	Foot Assembly.....	2	26	099955001078	Spring	1
3	099955001025	Screw (M4.2 x 16 mm).....	4	27	099955001077	Pin.....	1
4	099955001017	Hex Nut (M6).....	10	28	099955001080	Handle Release Nut.....	2
5	099955001016	Washer (M6).....	8	29	099955004037	Handle Assembly.....	1
6	099955001063	Support Washer.....	4	30	099955004012	Hose Strap.....	1
7	099955001060	Bolt (M6 x 65 mm)	4	31	099954001004	High And Low Pressure Hose Assembly.....	1
8	099955001068	Axle.....	2	32	099955004031	Lower Pressure Lock.....	1
9	099955004001	Wheel Assembly	2	33	099955004032	High And Low Pressure Trigger Handle	1
10	099955001067	Washer (M12).....	4	34	570768001	O-Ring	2
11	099955004002	Frame	1	35	120442002	O-Ring	1
12	99616001055	Pin.....	2	36	570742046	Backup Ring	1
13	099955001075	Left Handle Clamp.....	2	37	099955004033	High And Low Pressure Lance	1
14	099955001073	Handle Release Button.....	1	38	519858003	High Pressure Hose Clip	1
15	099955001074	Right Handle Clamp	2	39	099955004034	Turbo Nozzle.....	1
16	099955001054	Screw (M3.5 x 12 mm).....	4	40	099955004022	0° Nozzle (Red).....	1
17	099955001079	Handle Sleeve.....	3	41	099955004023	15° Nozzle (Orange).....	1
18	099955001015	Screw (M6 x 50 mm).....	2	42	099955004024	25° Nozzle (Green).....	1
19	099954001002	Trigger Handle Holder.....	1	43	099955004035	40° Nozzle (White)	1
20	099955004010	Soap Tank.....	1	Not Shown:			
21	099955004009	Soap Tank Cap	1	988000418	Operator's Manual	1	
22	099955001070	Detergent Hose.....	1	988000420	Assembly Guide	1	
23	099955004011	Cord Wrap Arm.....	2				
24	099955001116	Screw (M6 x 20 mm).....	2				

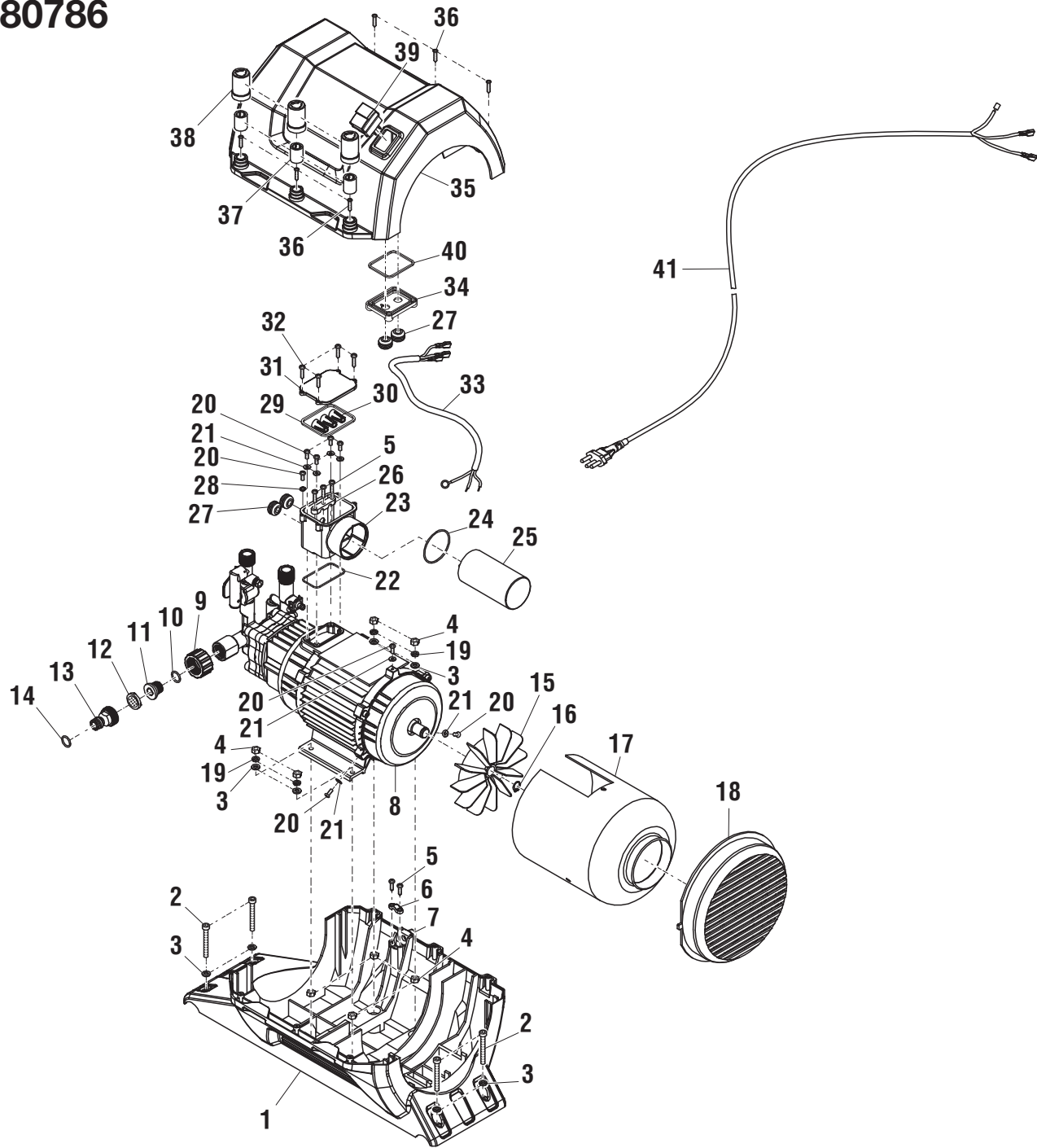


FIGURE B



RD80786 Electric Pressure Washer

FIGURE B PARTS LIST

KEY	P/N	DESCRIPTION	QTY	KEY	P/N	DESCRIPTION	QTY
1	099955004003	Lower Housing	1	22	099955004016	Lower Electrical Box Gasket	1
2	099955001015	Screw (M6 x 50 mm).....	4	23	099955001057	Electrical Box.....	1
3	099955001016	Washer (M6).....	8	24	099955001050	O-Ring (48 x 1.8)	1
4	099955001114	Hex Nut (M6).....	8	25	099955004015	Capacitor	1
5	099955001087	Screw (M3.5 x 19 mm).....	5	26	099955001112	Cord Clamp	1
6	099955004005	Cord Clamp	1	27	099955001047	Power Cord Grommet	4
7	099955001058	Cord Grommet.....	1	28	099955004017	Lock Washer.....	1
8	099955004004	Motor And Pump Assembly	1	29	099955001086	Electrical Box Seal.....	1
9	099955004025	Inlet Nut	1	30	099955001083	Wire Nut.....	3
10	099955004026	O-Ring (13.5 x 1.8)	1	31	099955001055	Electrical Box Cover	1
11	099955004027	Inlet Screw	1	32	099955001054	Screw (M3.5 x 12 mm).....	4
12	099955004028	Inlet Filter	1	33	099955001048	Wire Assembly.....	1
13	099955004029	Inlet Connector.....	1	34	099955001046	Switch Box Cover.....	1
14	099955004030	O-Ring (11.5 x 2.65)	1	35	099955004019	Upper Housing	1
15	099955004006	Fan.....	1	36	099955001051	Screw (M4.8 x 16 mm).....	6
16	099955004007	Wave Washer (M15).....	1	37	099955001053	Nozzle Holder Grommet.....	3
17	099955001042	Baffle	1	38	099955004020	Nozzle Holder	3
18	099955004008	Vent Cover	1	39	099955004021	Main Switch	1
19	099955001115	Washer (M6).....	4	40	099955004038	Switch Box Cover Gasket	1
20	099955001044	Screw (M4 x 12 mm).....	8	41	099955004014	Power Cord Assembly.....	1
21	099955001111	Washer (M4).....	7				