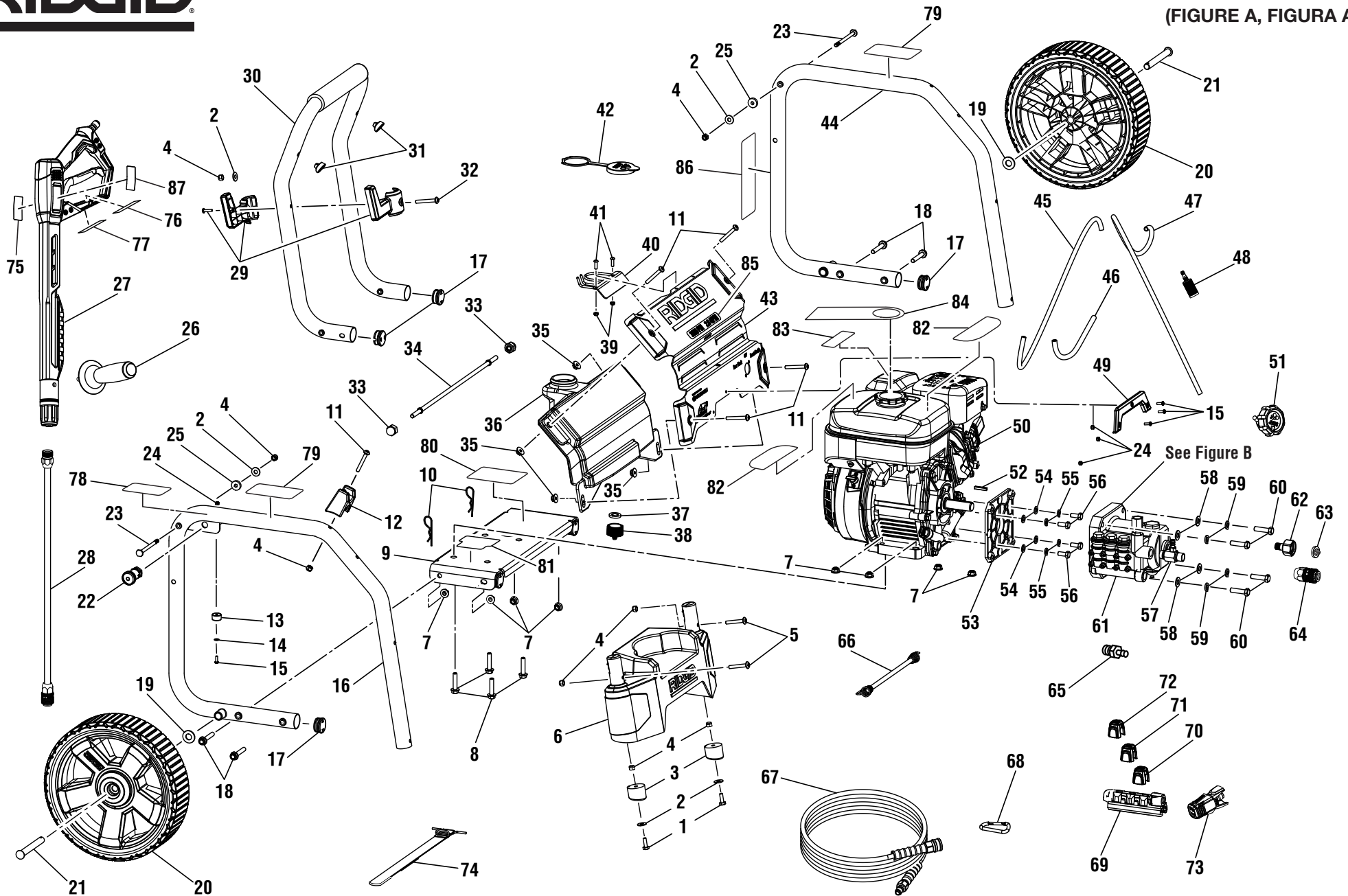


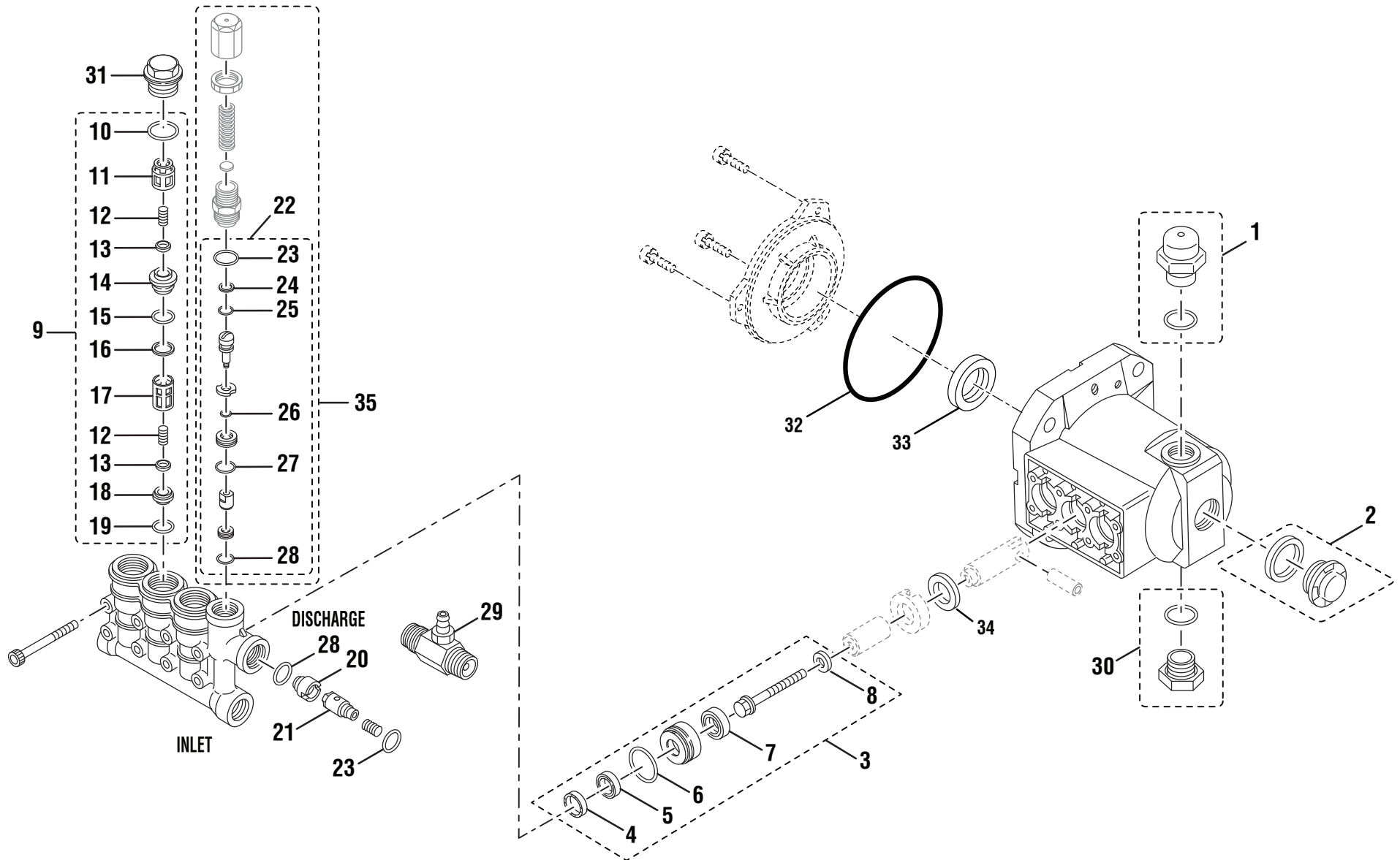
FIGURE A
(FIGURE A, FIGURA A)





RD80701/RD80903 Gasoline Pressure Washer

| KEY | P/N | DESCRIPTION | QTY | KEY | P/N | DESCRIPTION | QTY | KEY | P/N | DESCRIPTION | QTY |
|-----|-----------|--|-----|-----|-----------|--|-----|-----|-------------------|--|-----|
| 1 | 661503002 | Bolt (1/4 x 19 mm, Hex Hd.) | 2 | 32 | 660592004 | Screw (1/4-20 x 2 in., Pan Hd.) | 1 | 63 | 308662001 | Filter Screen | 1 |
| 2 | 638128004 | Washer (1/4 in.) | 5 | 33 | 678681001 | Cap Nut | 2 | 64 | 308988001 | 3/8 in. Quick Connect (Female Coupler) | 1 |
| 3 | 561307001 | Rubber Foot | 2 | 34 | 678617005 | Bar | 1 | 65 | 678169004 | Thermal Release Valve | 1 |
| 4 | 678016006 | Lock Nut (1/4 in.) | 8 | 35 | 678660001 | Lock Nut (1/4-20) | 4 | 66 | 308531002 | Bungee Cord With Hooks | 1 |
| 5 | 660592005 | Bolt (1/4 x 42 mm, Pan Hd.) | 2 | 36 | 310658003 | Soap Tank Assembly | 1 | 67 | 308835037 | High Pressure Hose | 1 |
| 6 | 308909003 | Front Support Assembly (Inc. Key Nos. 1-4) | 1 | 37 | 308283003 | Filter Screen | 1 | 68 | 638637002 | Spring Clip | 1 |
| 7 | 678774001 | Lock Nut (M8 x 1-1/4 in.) | 8 | 38 | 308985002 | Soap Barb Assembly (Inc. Key No. 37) | 1 | 69 | 570727004 | Nozzle Holder | 1 |
| 8 | 661505005 | Bolt (M8 x 36 mm, Hex Hd.) | 4 | 39 | 678390001 | Hex Nut (M5) | 2 | 70 | 308697010 | Nozzle, 0° (Red) | 1 |
| 9 | 638662005 | Engine Plate | 1 | 40 | 308316001 | Wand Holder Storage | 1 | 71 | 308699010 | Nozzle, 25° (Green) | 1 |
| 10 | 678238001 | Hitch Pin | 2 | 41 | 660976002 | Bolt (M5 x 16 mm, Pan Hd.) | 2 | 72 | 308700010 | Nozzle, 40° (White) | 1 |
| 11 | 661501001 | Screw (1/4-20 x 2 in., Torx Truss Hd.) | 5 | 42 | 310650001 | Soap Tank Cap | 1 | 73 | 310660002 | Dual Power Soap Nozzle | 1 |
| 12 | 518931003 | Lower Wand Holder | 1 | 43 | 638671002 | Face Plate | 1 | 74 | 308350001 | Hook-And-Loop Strap | 1 |
| 13 | 570712001 | Rubber Bumper | 1 | 44 | 308939004 | Left Frame Assembly (Inc. Key No. 17) | 1 | 75 | 940726009 | Trigger Handle Logo Label | 1 |
| 14 | 678600002 | Washer (M4) | 1 | 45 | 570728001 | Pump Hose | 1 | 76 | 940786002 | Wand Label (Max Rating) | 1 |
| 15 | 661555001 | Bolt (M4 x 0.7 x 12 mm) | 4 | 46 | 570728002 | Tank Hose | 1 | 77 | 940654058 | Trigger Handle Warning Label (French/Spanish) | 1 |
| 16 | 308938009 | Right Frame Assembly (Inc. Key Nos. 13-15, 17 and 24) | 1 | 47 | 570728003 | Bottle Hose | 1 | 78 | 940693003 | Handle Release Label | 1 |
| 17 | 518932001 | Handle Tube Cap | 4 | 48 | 518391001 | Filter (Injection Hose) | 1 | 79 | 940595005 | Zero Gravity Label | 2 |
| 18 | 661505003 | Bolt (M8 x 50 mm, Hex Hd.) | 4 | 49 | 518926001 | Bottle Bumper | 1 | 80 | 986995006 | Data Label (RD80701) | 1 |
| 19 | 638275002 | Washer (1/2 in.) | 2 | 50 | 309590001 | SP170 Engine (RD80701) | 1 | | 986995008 | Data Label (RD80903) | 1 |
| 20 | 308451003 | Wheel (12 in. x 3 in.) | 2 | | 309590002 | SP170 Engine (RD80903) | 1 | 81 | 940780001 | Pump Quick Start Label | 1 |
| 21 | 620598001 | Axle | 2 | 51 | 120900032 | 3-Way Valve Kit | 1 | 82 | 940654053 | Warning Label | 1 |
| 22 | 308910001 | Handle Knob | 1 | 52 | 678793001 | Key | 1 | 83 | 940778003 | Hot Muffler Label | 1 |
| 23 | 678406004 | Connector Pin (1/4 in.) | 2 | 53 | 638642001 | Pump Flange | 1 | 84 | 940971011 | Engine Oil (Hang Tag) | 1 |
| 24 | 678610002 | Lock Nut (M4) | 4 | 54 | 638675002 | Washer (5/16 in.) | 4 | 85 | 940779003 | Performance Label | 1 |
| 25 | 518724002 | Washer (D20 x D8 x 5t) | 2 | 55 | 638678001 | Lock Washer (5/16 in.) | 4 | 86 | 940617012 | Engine Quick Start Label | 1 |
| 26 | 513122001 | Auxiliary Handle | 1 | 56 | 661557001 | Bolt (5/16-24 x 3/4 in., Hex Hd.) | 4 | 87 | 940654061 | Trigger Handle Warning Label (English) | 1 |
| 27 | 120950013 | Trigger Handle Assembly | 1 | 57 | 310735001 | Chemical Injector | 1 | | Not Shown: | | |
| 28 | 308494004 | Spray Wand (21 in.) | 1 | 58 | 638386002 | Washer (3/8 in.) | 4 | 88 | N/A | Oil (SAE 30 or SAE 10W30) | 1 |
| 29 | 120900031 | Wand Holder Kit | 1 | 59 | 638679001 | Lock Washer (3/8 in.) | 4 | 89 | 987000277 | Operator's Manual | 1 |
| 30 | 308940002 | Handle Assembly (Inc. Key Nos. 17 and 31) | 1 | 60 | 661558001 | Bolt (3/8-16 x 1-3/8 in. Hex Hd.) | 4 | 90 | 987000278 | Replacement Parts List | 1 |
| 31 | 570733001 | Bumper | 2 | 61 | 308694008 | Pump (Inc. Key Nos. 52-60) | 1 | 91 | 987000279 | Assembly Guide | 1 |
| | | | | 62 | 308692003 | Garden Hose Coupler (Inc. Key No. 63) | 1 | | | | |





RD80701/RD80903 Pump/Pompe/Bomba

| KEY | P/N | DESCRIPTION | QTY | PIÈCE RÉF. | DESCRIPTION | QTÉ | REF. | N/P | DESCRIPCIÓN | CANT. |
|-----|------------------|--|-----|------------|---|---|------|----------------------|--|-------------------------|
| 1 | 310733003 | Oil Fill Cap w/O-ring..... | 1 | 310733003 | Capuchon, orifice de remplissage d'huile, avec joint torique..... | 1 | 1 | 310733003 | Tapa, orificio de llenado para aceite con junta tórica | 1 |
| 2 | 308688006 | Gauge | 1 | | | | 2 | 308688006 | Escala..... | 1 |
| 3 | 120440001 | Seal Kit (Inc. Key Nos. 4-8)..... | 1 | 2 | 308688006 | Jauge | 3 | 120440001 | Kit del sello (incl. pzas. núms. ref. 4 a 8) | 1 |
| 4 | 308405004 | Adapter (Male)..... | 3 | 3 | 120440001 | Kit de joint (incl. pièces no. 4 à 8) | 4 | 308405004 | Adaptador (macho) | 3 |
| 5 | 570436001 | V-Packing..... | 3 | 4 | 308405004 | Adaptateur (mâle)..... | 5 | 570436001 | Embalaje de labios múltiples | 3 |
| 6 | 570742004 | Seal Case O-Ring | 3 | 5 | 570436001 | Garniture chevron | 6 | 570742004 | Junta tórica, estuche para sellos | 3 |
| 7 | 570763004 | Seal | 3 | 6 | 570742004 | Joint torique carter de joint d'étanchéité | 7 | 570763004 | Sello | 3 |
| 8 | 570435001 | Washer (Seal) | 3 | 7 | 570763004 | Joint d'étanchéité | 8 | 570435001 | Arandela (sello)..... | 3 |
| 9 | 120441001 | Valve Assembly (Inc. Key Nos. 10-19) | 1 | 8 | 570435001 | Rondelle (joint d'étanchéité) | 9 | 120441001 | Conjunto de válvula (incl. pzas. núms. ref. 10 a 19) | 1 |
| 10 | 570742007 | O-Ring (Plug)..... | 3 | 9 | 120441001 | Ensemble de soupape (incl. pièces no. 10 à 19) | 10 | 570742007 | Junta tórica, clavija | 3 |
| 11 | 521407001 | Spring Retainer | 3 | 10 | 570742007 | Joint torique, bouchon..... | 11 | 521407001 | Retén de resorte | 3 |
| 12 | 678519005 | Spring..... | 6 | 11 | 521407001 | Retenue de ressort..... | 12 | 678519005 | Resorte..... | 6 |
| 13 | 678169008 | Valve..... | 6 | 12 | 678519005 | Ressort..... | 13 | 678169008 | Válvula..... | 6 |
| 14 | 310402001 | Discharge Seat..... | 3 | 13 | 678169008 | Soupape..... | 14 | 310402001 | Asiento de descarga | 3 |
| 15 | 570742006 | O-Ring (Discharge Seat) | 3 | 14 | 310402001 | Assise de refoulement..... | 15 | 570742006 | Junta tórica, asiento de descarga..... | 3 |
| 16 | 521409001 | O-Ring (Discharge Seat) | 3 | 15 | 570742006 | Joint torique, assise de refoulement..... | 16 | 521409001 | Junta tórica, asiento de descarga..... | 3 |
| 17 | 521406001 | Spring Retainer (Inlet)..... | 3 | 16 | 521409001 | Joint torique, assise de refoulement..... | 17 | 521406001 | Retén de resorte (entrada) | 3 |
| 18 | 521408001 | Inlet Seat | 3 | 17 | 521406001 | Retenue de ressort (admission) | 18 | 521408001 | Asiento, entrada..... | 3 |
| 19 | 570742005 | O-Ring (Inlet Seat)..... | 3 | 18 | 521408001 | Assise, admission | 19 | 570742005 | Junta tórica, asiento de entrada | 3 |
| 20 | 678842001 | Check Valve Seat | 1 | 19 | 570742005 | Joint torique, assise d'admission | 20 | 678842001 | Asiento, válvula de retención..... | 1 |
| 21 | 308826003 | Valve..... | 1 | 20 | 678842001 | Assise, clapet antiretour | 21 | 308826003 | Válvula, control con junta tórica..... | 1 |
| 22 | 120442001 | O-Ring Kit (Inc. Key Nos. 23-28)..... | 1 | 21 | 308826003 | Valve, clapet antiretour avec joint torique | 22 | 120442001 | Juego, junta tórica (incl. pzas. núms. ref. 23 a 28) | 1 |
| 23 | 570742010 | O-Ring (Piston Retainer) | 2 | 22 | 120442001 | Ensemble, joint torique (incl. pièces no. 23 à 28) | 23 | 570742010 | Retén de pistón (junta tórica)..... | 2 |
| 24 | 310403001 | Back-up-Ring (Piston Stem) | 1 | 23 | 570742010 | Retenue de piston (joint torique)..... | 24 | 310403001 | Anillo de respaldo vástago del pistón..... | 1 |
| 25 | 570742008 | O-Ring (Piston Stem) | 1 | 24 | 310403001 | Bague d'appui, tige de piston..... | 25 | 570742008 | Junta tórica, vástago del pistón..... | 1 |
| 26 | 570742011 | O-Ring (Inner Valve Retainer)..... | 1 | 25 | 570742008 | Joint torique, tige de piston | 26 | 570742011 | Junta tórica, retén de válvula (interior) | 1 |
| 27 | 570742009 | O-Ring (Outer)..... | 1 | 26 | 570742011 | Joint torique, coupelle d'appui de soupape (interne) | 27 | 570742009 | Junta tórica, retén de válvula (exterior) | 1 |
| 28 | 570742012 | Seat O-Ring | 2 | 27 | 570742009 | Joint torique, coupelle d'appui de soupape (extérieure) | 28 | 570742012 | Asiente el anillo o | 2 |
| 29 | 310735002 | Fixed Injector (M18 x 1 mm) | 1 | 28 | 570742012 | Posez le joint circulaire | 29 | 310735002 | Fuego de inyector fijo (M18 x 1 mm) .. | 1 |
| 30 | 310923001 | Drain Plug | 1 | 29 | 310735002 | Fixe d'injecteur (M18 x 1 mm)..... | 30 | 310923001 | Tapón de drenaje | 1 |
| 31 | 679405002 | Plug..... | 3 | 30 | 310923001 | Bouchon de vidange..... | 31 | 679405002 | Tapón | 3 |
| 32 | 570742070 | O-Ring..... | 1 | 31 | 679405002 | Bouchon..... | 32 | 570742070 | Anillo en "O"..... | 1 |
| 33 | 570742069 | Oil Seal..... | 1 | 32 | 570742070 | Joint torique en O | 33 | 570742069 | Aceite el sello | 1 |
| 34 | 570763007 | Oil Seal..... | 1 | 33 | 570742069 | Joint d'huile..... | 34 | 570763007 | Aceite el sello | 1 |
| 35 | 310924001 | Unloader Assembly (Inc. Key No. 22) .. | 1 | 34 | 570763007 | Joint d'huile..... | 35 | 310924001 | Conjunto del descargador (incl. pza. núm. ref. 22)..... | 1 |
| | NOT SHOWN | | | 35 | 310924001 | Ensemble déchargeur (incl. pièce réf. 22)..... | | | | |
| | 900906018 | Bottle Oil | 1 | | | | | | | |
| | | | | | PAS ILLUSTRÉ | | | NO SE MUESTRA | | |
| | | | | | 900906018 | Bouteille d'huile..... | | | 900906018 | Aceite en botella |