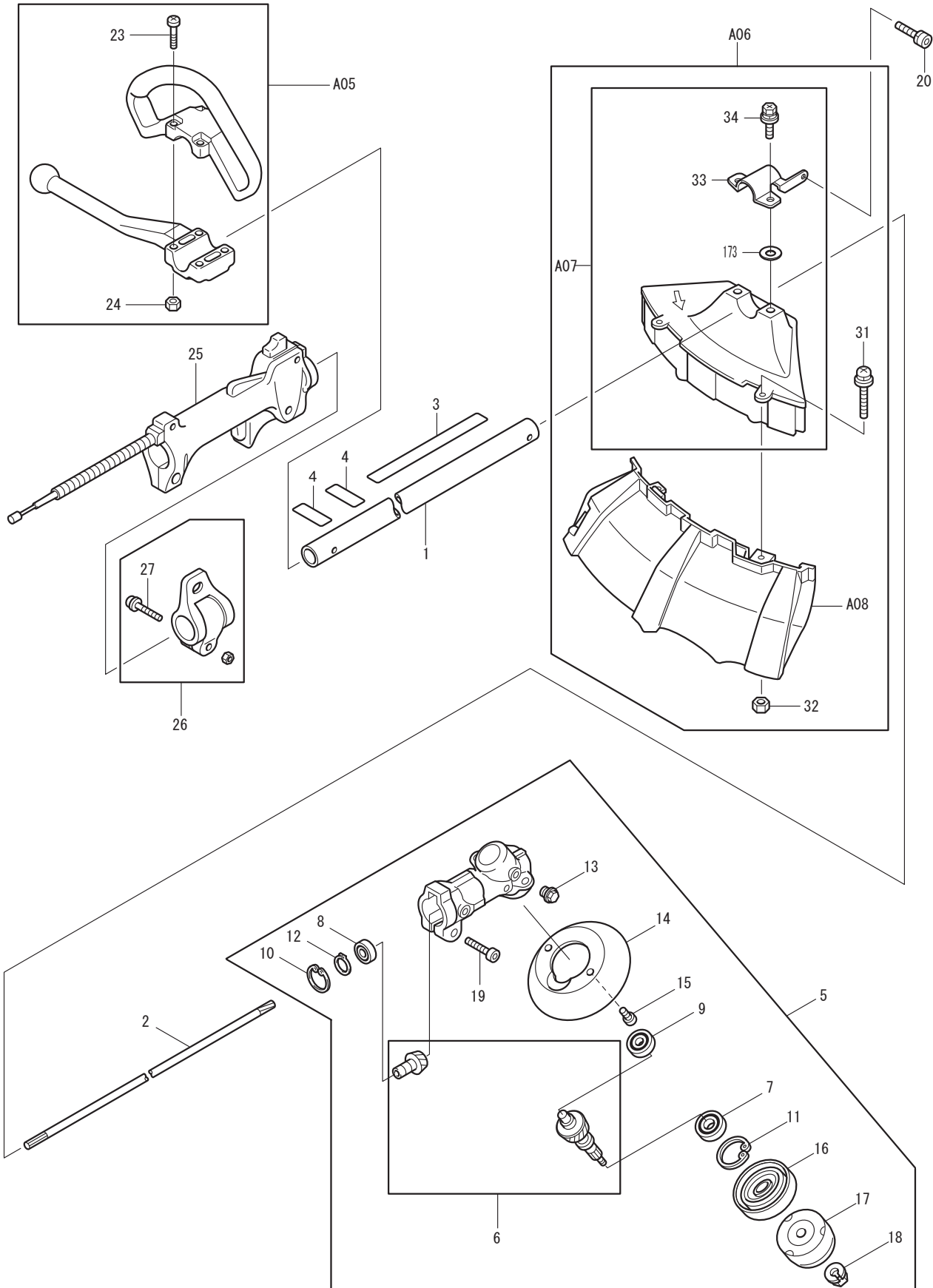
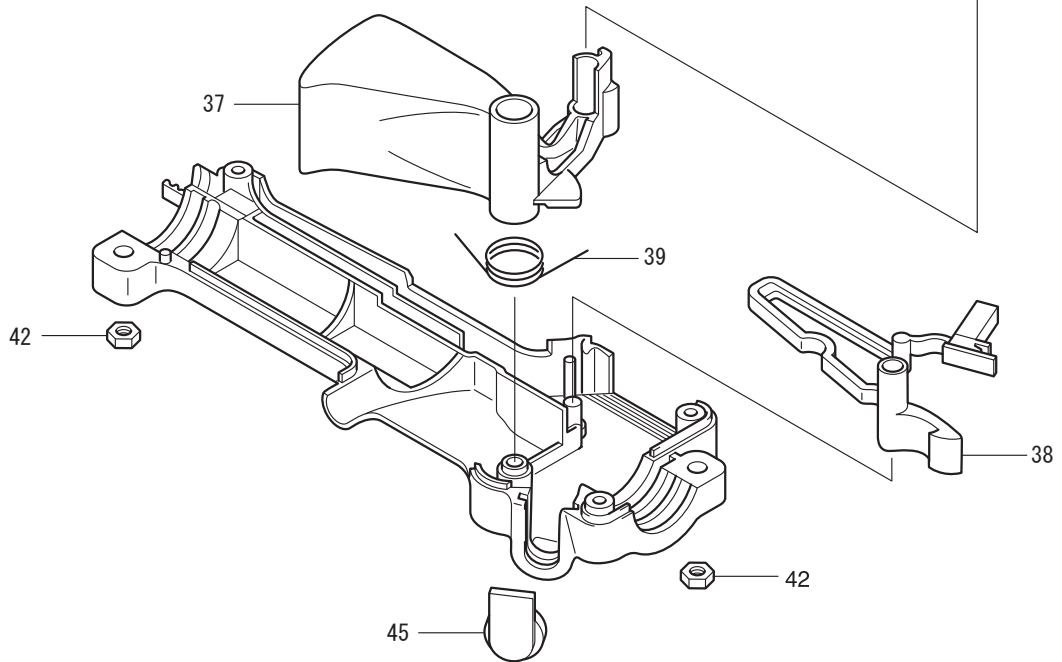
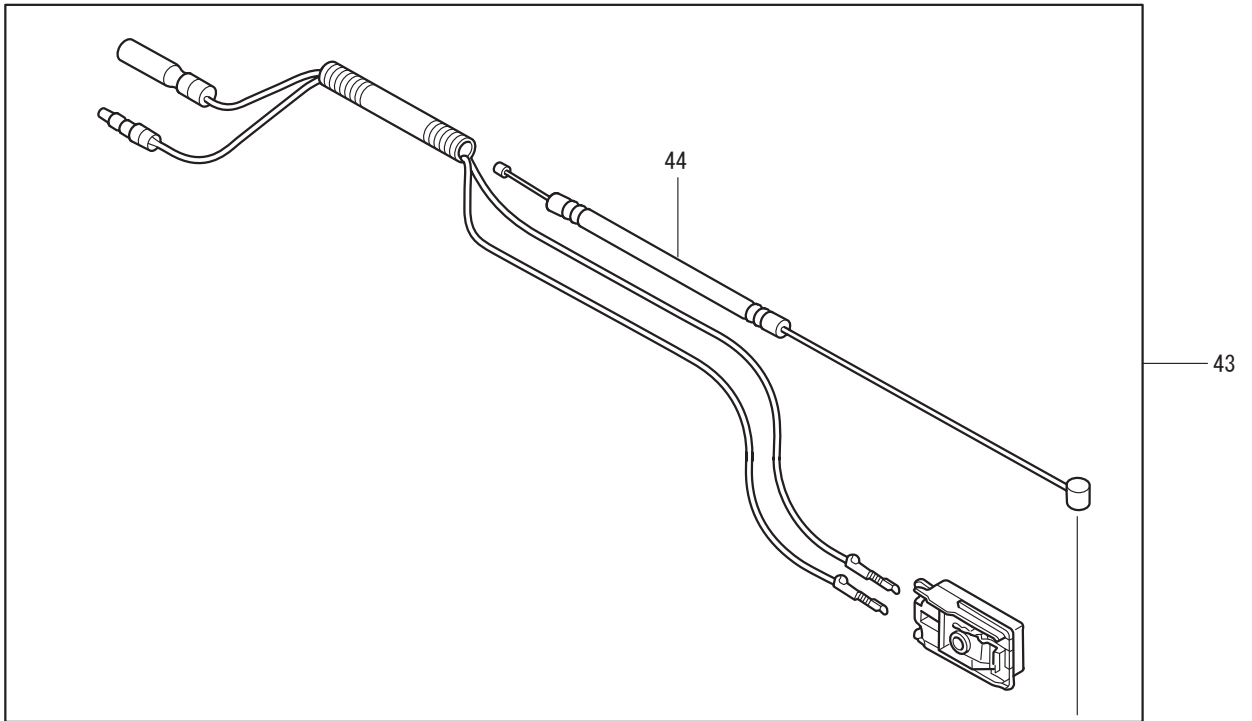
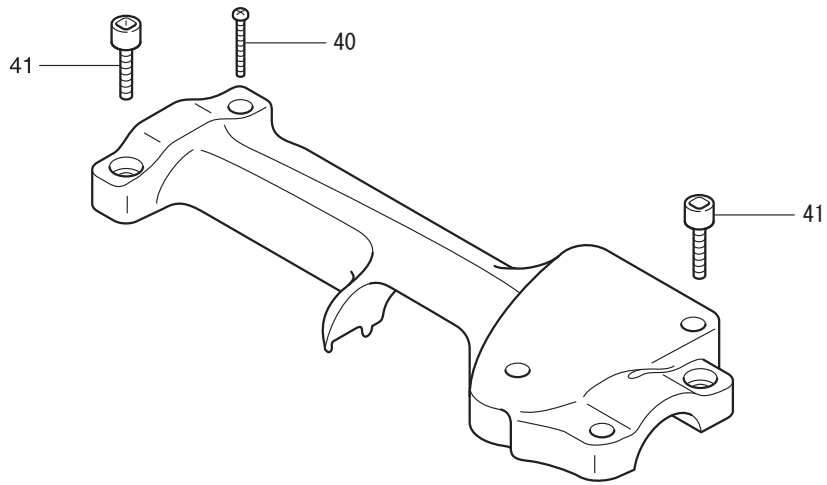
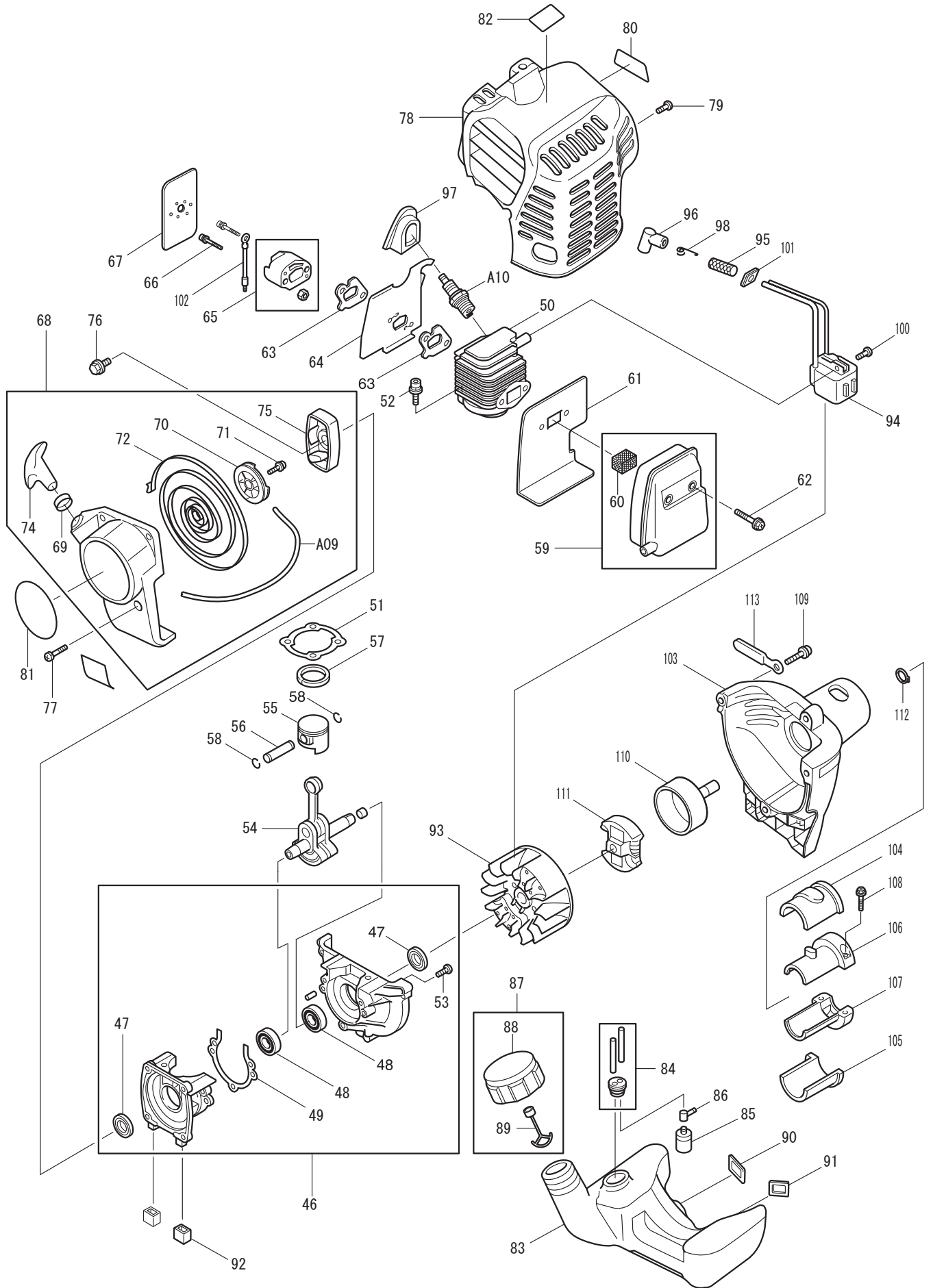


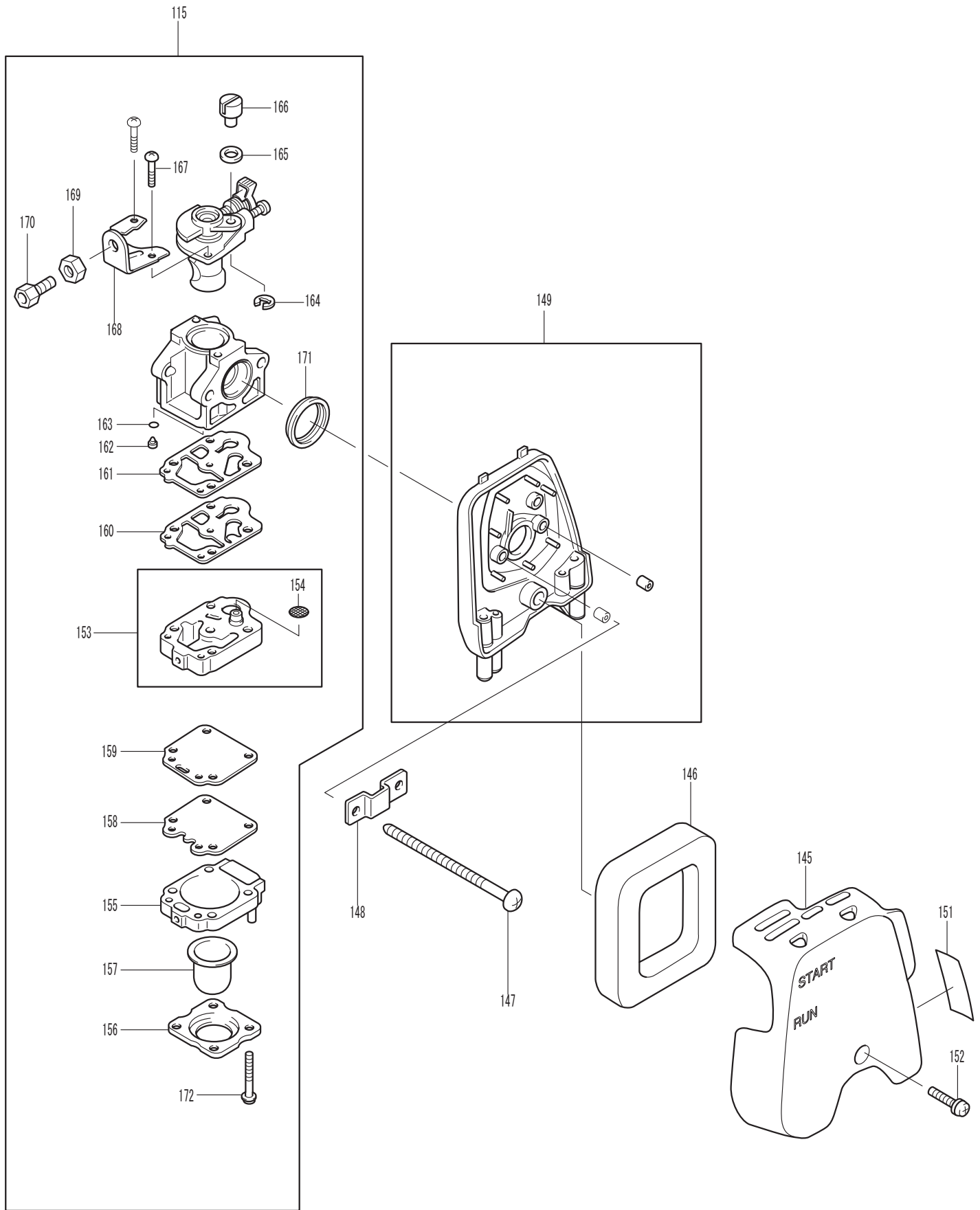


06 - 2010  
RBC2510  
24.5CC BRUSH CUTTER









Item No.	Type	Sub	Part No.	Description	Qty	Unit
1	1		6211026000	SHAFT PIPE COMPLETE	1	PC.
	2		140996-4	SHAFT PIPE COMPLETE	1	PC.
2	1		6191500401	SHAFT	1	PC.
	2		324893-4	SHAFT	1	PC.
3	1		6219110000	CAUTION LABEL COMPLETE	1	PC.
	2		892916-1	CAUTION LABEL	1	PC.
4	1		6259514700	CAUTION LABEL	2	PC.
	3		808723-2	CAUTION LABEL (Qty 2 > 3)	3	PC.
5	1		6243006002	CASE GEAR ASSY	1	PC.
		INC.		Item No. 6-19		
	2		125476-1	* GEAR CASE ASSEMBLY	1	PC.
		INC.		Item No. 6-19		
	3		126262-3	* GEAR CASE ASSEMBLY	1	PC.
		INC.		Item No. 6-19		
6	1		6243008002	CUTTER SHAFT SET	1	PC.
	2		195350-7	* CUTTER SHAFT SET	1	PC.
	3		196424-7	* CUTTER SHAFT SET	1	PC.
7	1		0600109910	BALL BEARING 6000DDU	1	PC.
	2		210082-6	BALL BEARING 6000DDU	1	PC.
	3		210054-1	BALL BEARING 6000DDU	1	PC.
8	1		6212500300	BALL BEARING #609ZZ	1	PC.
	2		210049-4	BALL BEARING 609ZZ	1	PC.
9	1		0600069990	BALL BEARING 626ZZ	1	PC.
	2		210083-4	BALL BEARING 626	1	PC.
	3		211019-6	BALL BEARING 626	1	PC.
10	1		0031424000	INNER SNAP RING	1	PC.
	2		257987-9	RETAINING RING (INT)R-24	1	PC.
11	1		0031426000	INNER SNAP RING	1	PC.
	2		257988-7	RETAINING RING (INT) R-26	1	PC.
12	1		6193006120	OUTER SNAP RING	1	PC.
	2		257986-1	RETAINING RING (EXT) S-9	1	PC.
13	1		6253011012	OIL BOLT M6X9	1	PC.
	2		265578-2	+HEX.BOLT M6X8	1	PC.
	3		266863-6	+HEX.BOLT M6X8	1	PC.
14	1		6218500200	GUARD	1	PC.
	2		450653-9	GUARD	1	PC.
15	1		0140059390	SCREW ASSEMBLY	2	PC.
	2		265195-8	+PAN HEAD SCREW M5X12	2	PC.
	3		911213-7	+PAN HEAD SCREW M5X12	2	PC.
16	1		6218501601	RECEIVE WASHER	1	PC.
	2		6218500000	RECEIVE WASHER	1	PC.
	3		332042-9	RECEIVE WASHER	1	PC.
	4		324917-6	RECEIVE WASHER	1	PC.
17	1		6218003001	CLAMP COMPL. WASHER	1	PC.
	2		168481-5	* CLAMP WASHER COMPLETE	1	PC.
	3		168797-8	* CLAMP WASHER COMPLETE	1	PC.
18	1		6258505001	NUT	1	PC.
	2		264018-7	HEX.NUT M8	1	PC.
19	1		0119059890	SOCKET HEAD BOLT M5X25	1	PC.
	2		266805-0	H.S.H.BOLT M5X25 WITH W	1	PC.
20			0119059490	SOCKET HEAD BOLT M5X14 (WSW)	1	PC.
23	1		6214016030	SCREW	4	PC.
	2		266845-8	BINDING HEAD SCREW M5X25	4	PC.
24	1		002-27050-00	NUT M5	4	PC.
	2		264093-3	HEX. NUT M5	4	PC.
25	1		6215030000	CONTROL LEVER ASSY	1	PC.
		INC.		Item No. 37-45		
	2		126014-2	CONTROL LEVER ASSY	1	PC.
		INC.		Item No. 37-45		
26			6254019000	HANGER ASS'Y	1	PC.
		INC.		Item No. 27		
27	1		0140059360	SCREW & WASHER ASS'Y	1	PC.
	2		266788-4	PAN HEAD SCREW M5X20 WITH WR	1	PC.
31			0140059380	SCREW ASSEMBLY	2	PC.
32	1		002-18050-00	NUT M5	2	PC.

Item No.	Type	Sub	Part No.	Description	Qty	Unit
			264035-7	HEX. NUT M5	2	PC.
33	1		6258508200	PROTECTOR CLAMP	1	PC.
	2		346493-0	PROTECTOR CLAMP	1	PC.
34			0100069770	BOLTCROSSRECESS	2	PC.
37	1		6195006030	LEVER	1	PC.
	2		451933-6	LONG LEVER	1	PC.
38	1		6215023060	LEVER	1	PC.
	2		451934-4	STOP LEVER	1	PC.
39	1		6195006050	SPRING	1	PC.
	2		233568-3	TORSION SPRING	1	PC.
40	1		6195006060	TAPPING SCREW M4X20	4	PC.
	2		266584-0	TAPPING SCREW 4X20	4	PC.
41	1		0119059720	SOCKET HEAD BOLT M5X20	2	PC.
	2		266698-5	HEX. SOCKET HEAD BOLT M5X20	2	PC.
42	1		6415011160	NUT	2	PC.
	2		931203-4	HEX. NUT M5	2	PC.
43	1		6215030060	WIRE SET	1	PC.
	2	INC.		Item No. 44		
			638786-2	WIRE SET	1	PC.
		INC.		Item No. 44		
44	1		6215030110	CONTROL CABLE	1	PC.
	2		168674-4	CONTROL CABLE	1	PC.
45	1		6195006150	TOP	1	PC.
	2		451936-0	TOP	1	PC.
46			5231011001	CRANK CASE ASS'Y	1	PC.
		INC.		Item No. 47-49,53		
47	1		0440129970	OIL SEAL	2	PC.
	2		213628-7	OIL SEAL	2	PC.
48	1		0600129850	BALL BEARING 6001C3 UR	2	PC.
	2		210113-1	BALL BEARING 6001	2	PC.
49	1		5231502202	CRANKCASE GASKET	1	PC.
	2		424447-8	CRANKCASE GASKET	1	PC.
50	1		5231501804	CYLINDER	1	PC.
	2		318762-9	CYLINDER	1	PC.
51	1		5231502304	CYLINDER GASKET	1	PC.
	2		442171-1	CYLINDER GASKET	1	PC.
52	1		0119059730	SOCKET HEAD BOLT M5X20	2	PC.
	2		266814-9	HEX SOCKET HEAD BOLT M5X20	2	PC.
53	1		0140059520	SCREW M5X25	3	PC.
	2		266701-2	PAN HEAD SCREW M5X25	3	PC.
54	1		5252016000	CRANKSHAFT COMPLETE - N/L/A	1	PC.
	2		5252016001	CRANKSHAFT COMPLETE	1	PC.
	3		140990-6	CRANKSHAFT COMPLETE	1	PC.
55	1		5252500800	PISTON	1	PC.
	2		318766-1	PISTON	1	PC.
56	1		5232502600	PISTON PIN	1	PC.
	2		257781-9	PISTON PIN	1	PC.
57	1		5242500701	PISTON RING	1	PC.
	2		257979-8	PISTON RING	1	PC.
58	1		0565089970	CLIP	2	PC.
	2		233976-8	CLIP	2	PC.
59	1		5253073000	EXHAUST MUFFLER	1	PC.
		INC.		Item No. 60		
	2		168665-5	EXHAUST MUFFLER	1	PC.
		INC.		Item No. 60		
60	1		5253033010	SPARK ARRESTER	1	PC.
	2		352016-4	SPARK ARRESTER	1	PC.
61	1		5253503100	MUFFLER GASKET	1	PC.
	2		168666-3	MUFFLER GASKET	1	PC.

Item No.	Type	Sub	Part No.	Description	Qty	Unit
62	1		0119059600	SOCKET HEAD BOLT M5X45	2	PC.
	2		266697-7	SOCKET HEAD BOLT M5X45	2	PC.
63	1		5233503902	INSULATOR GASKET	2	PC.
	2		424448-6	INSULATOR GASKET	2	PC.
64	1		5233505201	CARBURETOR INSULATOR	1	PC.
	2		346490-6	CARBURETOR INSULATOR	1	PC.
65	1		5423006000	INSULATOR COMPLETE	1	PC.
	2		140995-6	INSULATOR COMPLETE	1	PC.
66	1		0140059500	SCREW M5X25	2	PC.
	2		266700-4	PAN HEAD SCREW M5X25	2	PC.
67	1		5253500300	GASKET SPACER	1	PC.
	2		424450-9	GASKET SPACER	1	PC.
68	1		5255011000	REWIND STARTER ASSY	1	PC.
		INC.		Item No. 69-75		
	2		126010-0	RECOIL STARTER ASSEMBLY	1	PC.
		INC.		Item No. 69-75		
69	1		5255001040	DAMPER	1	PC.
	2		424359-5	DAMPER	1	PC.
70	1		5235024012	REEL	1	PC.
	2		452915-1	REEL	1	PC.
71	1		5425003010	SET SCREW	1	PC.
	2		266580-8	TAPPING SCREW 5X10	1	PC.
72	1		5235024032	SPIRAL SPRING	1	PC.
	2		232269-0	SPIRAL SPRING	1	PC.
74	1		5225004020	HANDLE	1	PC.
	2		424319-7	STARTER KNOB	1	PC.
75	1		5235025001	PULLEY	1	PC.
	2		168664-7	PULLEY	1	PC.
76	1		5235504700	BOLT ASS'Y	1	PC.
	2		266703-8	HEX. HEAD BOLT M6X14	1	PC.
77	1		0140059350	SCREW ASS'Y M5X18(WSW)	4	PC.
	2		266699-3	PAN HEAD SCREW M5X18	4	PC.
78	1		5255503300	CYLINDER COVER	1	PC.
	2		452918-5	CYLINDER COVER	1	PC.
79	1		0150059790	TAPPING SCREW 5X14	1	PC.
	2		266702-0	TAPPING SCREW 5X14	1	PC.
80			6279505700	TRADE MARK LABEL 'MAKITA'	1	PC.
81			6219538800	MODEL LABEL	1	PC.
83	1		5256501801	FUEL TANK	1	PC.
	2		452921-6	FUEL TANK	1	PC.
84	1		0851179961	TUBE	1	PC.
	2		162328-5	TUBE	1	PC.
85	1		5236503900	FILTER	1	PC.
	2		163447-0	GASOLINE FILTER	1	PC.
86	1		0561059990	HOSE CLAMP	1	PC.
	2		345920-4	HOSE CLAMP	1	PC.
87	1		5256059000	FUEL TANK CAP COMPLETE	1	PC.
		INC.		Item No. 88,89		
	2		168668-9	FUEL TANK CAP COMPLETE	1	PC.
		INC.		Item No. 88,89		
88	1		5256058000	FUEL TANK CAP	1	PC.
	2		452920-8	FUEL TANK CAP	1	PC.
89	1		5256067000	STRAP	1	PC.
	2		140436-2	STRAP COMPLETE	1	PC.
90	1		5036500200	PLATE	1	PC.
	2		424102-2	PLATE	1	PC.
91	1		5036500300	PLATE	1	PC.
	2		424103-0	PLATE	1	PC.
92	1		5216500200	DAMPER	2	PC.
	2		424446-0	DAMPER	2	PC.
93	1		5237034014	FLYWHEEL	1	PC.
	2		318765-3	FLYWHEEL	1	PC.

Item No.	Type	Sub	Part No.	Description	Qty	Unit
94	1		5257027011	COIL	1	PC.
	2		168671-0	COIL	1	PC.
95	1		0851069920	TUBE	1	PC.
	2		412102-4	TUBE	1	PC.
96	1		0655009870	PLUG CAP	1	PC.
	2		424337-5	PLUG CAP	1	PC.
97	1		5197500100	PLUG CAP COVER	1	PC.
	2		424445-2	PLUG CAP COVER	1	PC.
98	1		065-40099-31	PLUG CAP SPRING	1	PC.
	2		324891-8	PLUG CAP SPRING	1	PC.
100			0043704200	SCREW ASS'Y M4X20	2	PC.
101	1		5237503202	GROMMET	1	PC.
	2		424449-4	GROMMET	1	PC.
102	1		6165500201	WIRE	1	PC.
	2		638784-6	WIRE	1	PC.
103	1		6251047003	CLUTCH CASE COMPLETE	1	PC.
	2		140997-2	CLUTCH CASE COMPLETE	1	PC.
104	1		6251506604	PIPE DAMPER 1	1	PC.
	2		424451-7	PIPE DAMPER 1	1	PC.
105	1		6251506703	PIPE DAMPER 2	1	PC.
	2		424452-5	PIPE DAMPER 2	1	PC.
106	1		6251509501	PIPE BRACKET 1	1	PC.
	2		318767-9	PIPE BRACKET 1	1	PC.
107	1		6251509600	PIPE BRACKET 2	1	PC.
	2		318768-7	PIPE BRACKET 2	1	PC.
108	1		0119059950	SOCKET HEAD BOLT M5X18	2	PC.
	2		266844-0	HEX. S.H.BOLT M5X18 WITH WASHER	2	PC.
109	1		0140059360	SCREW & WASHER ASS'Y	3	PC.
	2		266788-4	PAN HEAD SCREW M5X20 WITH WR	3	PC.
110	2		6252014003	CLUTCH DRUM COMPLETE	1	PC.
	3		168675-2	CLUTCH DRUM COMPLETE	1	PC.
111	1		6162005002	CLUTCH ASS'Y	1	PC.
	2		168672-8	CLUTCH	1	PC.
112			0031512000	OUTER SNAP RING	1	PC.
113	1		0566059980	CLAMP	1	PC.
	2		345963-6	CLAMP	1	PC.
115	1		5256086000	CARBURETOR	1	PC.
	2	INC.		Item No. 153-172		
		INC.	168669-7	CARBURETOR	1	
				Item No. 153-172		
145	1		5253502600	AIR CLEANER CASE	1	PC.
	2		452917-7	AIR CLEANER CASE	1	
146	1		5233504700	AIR CLEANER ELEMENT	1	PC.
	2		443167-5	AIR CLEANER ELEMENT	1	PC.
147	1		0043105600	PAN HEAD SCREW M5X60	2	PC.
	2		266695-1	PAN HEAD SCREW M5X60	2	PC.
148	1		5013502400	AIR CLEANER PLATE ASSY	1	PC.
	2		346489-1	AIR CLEANER PLATE	1	PC.
149	1		5253021000	CLEANER PLATE COMPLETE	1	PC.
	2		140993-0	CLEANER PLATE COMPLETE	1	PC.
151	1		0736259880	LABEL	1	PC.
	2		892911-1	INDICATION LABEL	1	PC.
152	1		0140059480	SCREW ASS'Y M5X14	1	PC.
	2		266809-2	P.H.SCREW M5X14 WITH WR	1	PC.
153	1		5236046130	PUMP BODY ASS'Y	1	PC.
	2	INC.		Item No. 154		
		INC.	140989-1	PUMP BODY ASSEMBLY	1	PC.
				Item No. 154		
154	1		5016004010	INLET SCREEN	1	PC.
	2		352010-6	INLET SCREEN	1	PC.



Item No.	Type	Sub	Part No.	Description	Qty	Unit
155	1		5236046060	AIR PURGE BODY ASS'Y	1	PC.
	2		140988-3	AIR PURGE BODY ASSEMBLY	1	PC.
156	1		5236046050	PRIMER PUMP COVER	1	PC.
	2		346270-0	PRIMER PUMP COVER	1	PC.
157	1		5246001150	PRIMER PUMP	1	PC.
	2		424314-7	PRIMER PUMP	1	PC.
158	1		5926008010	METERING DIAPHRAGM ASS'Y	1	PC.
	2		168574-8	METERING DIAPHRAGM	1	PC.
159	1		5236046040	METERING DIAPHRAGM GASKET	1	PC.
	2		442154-1	METERING DIAPHRAGM GASKET	1	PC.
160	1		5246001040	PUMP DIAPHRAGM	1	PC.
	2		168575-6	PUMP DIAPHRAGM	1	PC.
161	1		5246001030	PUMP GASKET	1	PC.
	2		442172-9	PUMP GASKET	1	PC.
162	1		5256013010	JET	1	PC.
	2		326086-9	JET	1	PC.
163	1		5246001010	O RING	1	PC.
	2		213538-8	O RING 2	1	PC.
164	1		5316005120	RING	1	PC.
	2		257964-1	STOP RING E-3	1	PC.
165	1		5426005030	WASHER	1	PC.
	2		413140-9	WASHER	1	PC.
166	1		5236018040	SWIVEL	1	PC.
	2		325922-6	SWIVEL	1	PC.
167	1		5246001240	THROTTLE COLLAR SCREW	2	PC.
	2		266704-6	PAN HEAD SCREW M3X10	2	PC.
168	1		5236052020	BRACKET CABLE	1	PC.
	2		346491-4	BRACKET CABLE	1	PC.
169	1		5316005450	CABLE ADJUST NUT	1	PC.
	2		264065-8	CABLE ADJUST NUT M6	1	PC.
170	1		5316020020	CABLE ADJUST SCREW	1	PC.
	2		326084-3	CABLE ADJUST SCREW M6X13	1	PC.
171	1		5236018020	RING PACKING	1	PC.
	2		424444-4	PACKING RING	1	PC.
172	1		5236046010	PUMP COVER SCREW	4	PC.
	2		266582-4	TAPPING SCREW 3X24	4	PC.
173			413143-3	WASHER	2	PC.
E01			814F56-1	SERIAL NO. LABEL	1	PC.

### ACCESSORIES

A01	1		6197004000	BAND ASSY	1	PC.
	2		126012-6	BAND ASSEMBLY	1	PC.
A02			B-60143	BUMP & FEED HEAD ASSY LH (PACKAGED)	1	PC.
		INC.	B-03034	(See Parts breakdown Trimmer Head) HOUSING	1	PC.
		INC.	B-03040	NUT M8, L.H	1	PC.
		INC.	A-15992	EYELET 2PCS/SET	1	PC.
		INC.	B-03056	TAP SPRING	1	PC.
		INC.	B-01971	NYLON CORD.095X16.4'(2.4MMX5M)	1	PC.
		INC.	B-03137	SPOOL WITHOUT CORD	1	PC.
		INC.	B-60159	COVER, BLUE	1	PC.
A03	1		6119019001	TOOL KIT	1	PC.
		INC.		Item No. A04		
	2		195508-8	ACCESSORY TOOL KIT	1	PC.
		INC.		Item No. A04		
A04	1		0717049990	HEX. WRENCH	1	PC.
	2		783223-2	WRENCH 4	1	PC.
A05	1		6214016000	HANDLE SET	1	PC.
		INC.		Item No. 23-24		
	2		125567-8	HANDLE ASSEMBLY	1	PC.
		INC.		Item No. 23-24		
A06			6258060002	PROTECTOR ASS'Y	1	PC.
		INC.		Item No. A07, A08, 31-34,173		

Item No.	Type	Sub	Part No.	Description	Qty	Unit
A07			6258061002	PROTECTOR ASSY Item No. 33,34, 173	1	PC.
A08	1	INC.	6258053001	PROTECTOR COMPLETE	1	PC.
	2		140424-9	PROTECTOR COMPLETE	1	PC.
A09	1		5255016020	STARTER ROPE	1	PC.
	2		444024-0	STARTER ROPE	1	PC.
A10			168663-9	SPARK PLUG (BM7A)	1	PC.
			168662-1	SPARK PLUG (BMR7A)	1	PC.
A11	Opt		B-02951	TRIMMEDR HEAD, MANUAL (Component parts are not available)	1	PC.
A12	Opt		6218020001	BUMP&FEED HEAD ASSY LH (See Parts breakdown 6218020001)	1	PC.
A13	Opt		B-02945	ULTRA AUTO 4Y ASSY LH (PKG) (See Parts breakdown B-02945)	1	PC.