

RYOBI PAINT STATION TOOL - MODEL NUMBER RAP200

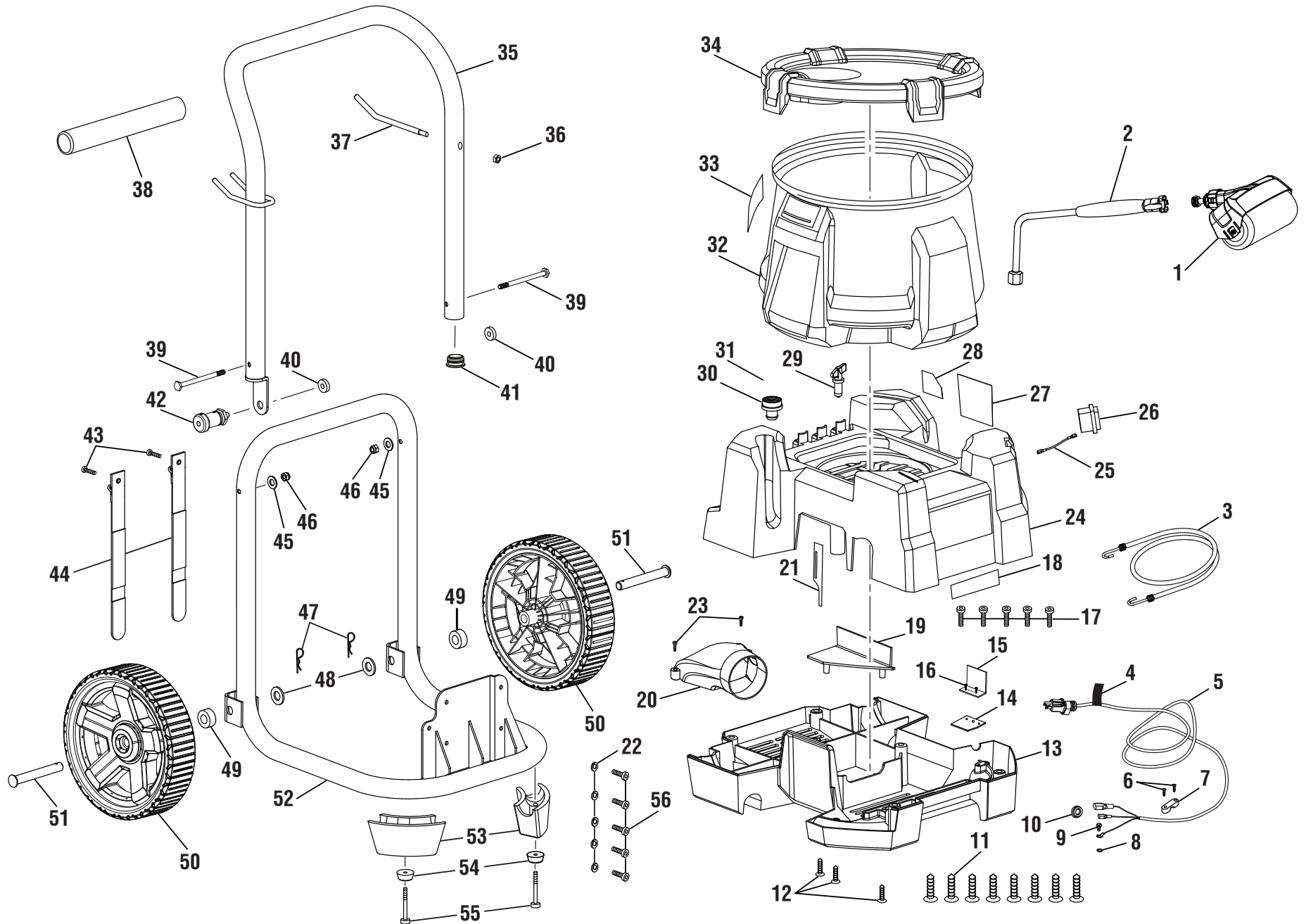


Figure A

RYOBI PAINT STATION TOOL - MODEL NUMBER RAP200

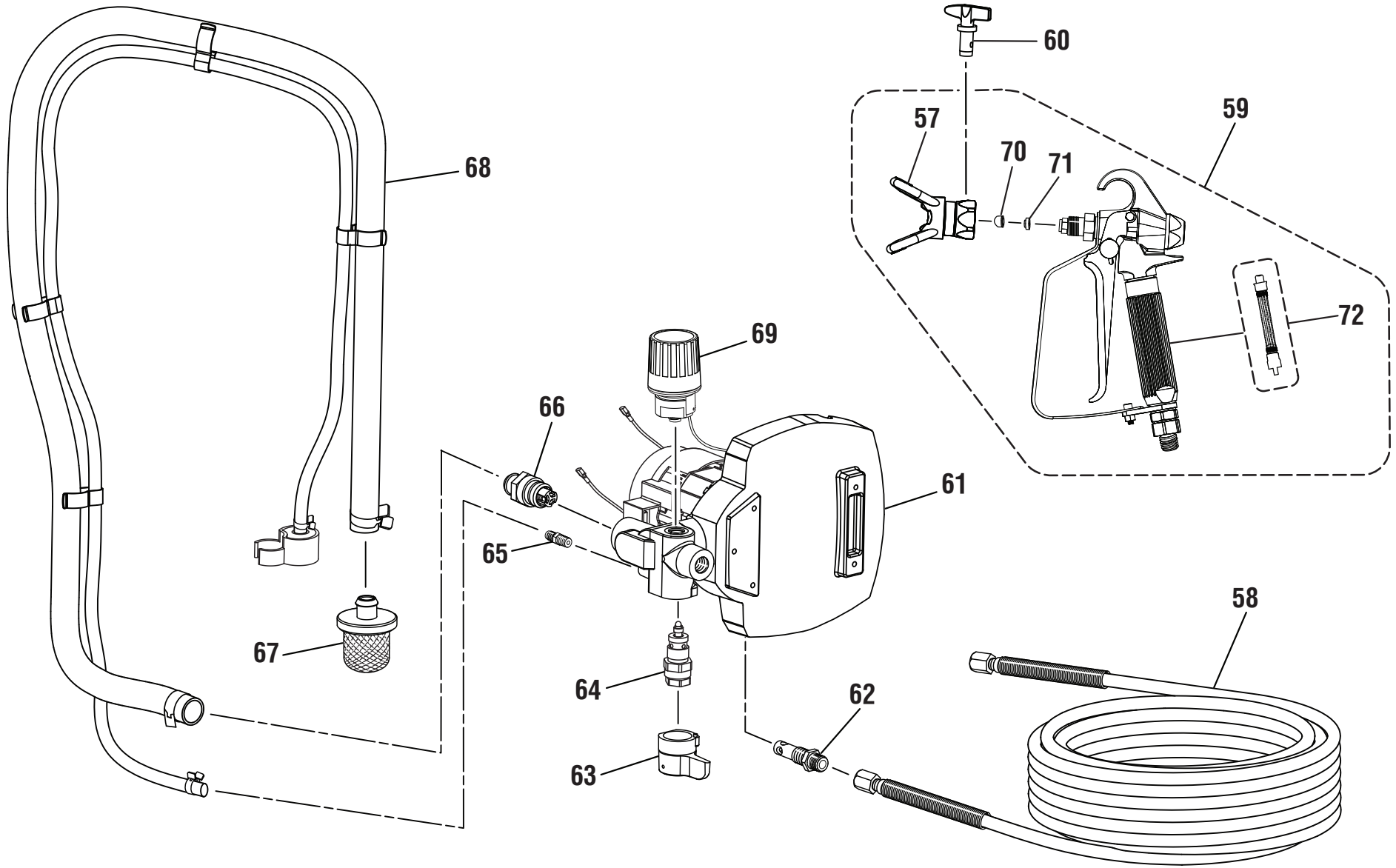


Figure B

## RYOBI PAINT STATION TOOL – MODEL NUMBER RAP200

The model number will be found on a plate attached to the motor housing. Always mention the model number in all correspondence regarding your **PAINT STATION TOOL** or when ordering parts.

### PARTS LIST

KEY NO.	PART NUMBER	DESCRIPTION	QTY	KEY NO.	PART NUMBER	DESCRIPTION	QTY
1	039747001121	Roller Attachment Assembly .....	1	39	039747001109	Bolt (M8 x 75 mm) .....	2
2	039747001120	Roller Handle Assembly .....	1	40	039747001111	Internal Washer .....	2
3	039747001122	Elastic Strap .....	1	41	039747001112	End Seal for Upper Tube Frame .....	1
4	039747001171	Danger Cord Wrap Label .....	1	42	039747001108	Lock Pin Component .....	1
5	039747001081	Power Cord (6 ft.) .....	1	43	039747001107	Screw (M5 x 12 mm) .....	2
6	039747001139	Screw (4.8 x 13 mm) .....	2	44	039747001106	Strap .....	2
7	039747001123	Power Cord Fixer .....	1	45	039747001105	Washer .....	2
8	039747001136	Washer .....	1	46	039747001104	Nut .....	2
9	039747001135	Screw .....	1	47	039747001102	Split Pins (3.2 x 18) .....	2
10	039747001124	Bend Relief .....	1	48	039747001100	Washer .....	2
11	039747001082	Screw (M6.3 x 25 mm) .....	8	49	039747001125	Washer .....	2
12	039747001083	Screw (M4.8 x 13 mm) .....	3	50	039747001098	Wheel Assembly .....	2
13	039747001084	Base Support .....	1	51	039747001099	Wheel Shaft .....	2
14	039747001140	Cooling Aluminum Block .....	1	52	039747001097	Low Tube Frame .....	1
15	039747001008	PCB Assembly .....	1	53	039747001096	Frame Feet .....	2
16	039747001007	Screw (M3.5 x 12 mm) .....	2	54	039747001095	Rubber Pad .....	2
17	039747001085	Screw (M5 x 16 mm) .....	5	55	039747001094	Screw (M5 x 45 mm) .....	2
18	039747001177	Logo Label .....	1	56	039747001103	Screw (M5 x 14 mm) .....	5
19	039747004026	Partial Plastic Cover .....	1	57	039747001187	Tip Guard Assembly .....	1
20	039747001126	Air Flow Hose .....	1	58	039747001080	Pressure Fluid Hose (25 ft.) .....	1
21	039747001173	Pressure Control Indicator Label .....	1	59	039747001079	Spray Gun (Includes Key Nos. 57, 70-72) .....	1
22	039747001138	Spring Washer (Ø5.0) .....	5	60	039747001178	515 Tip .....	1
23	039747001127	Screw .....	2	61	039747001150	* Complete Pump Assembly (Also Order Key 64) .....	1
24	039747001088	Base Cover .....	1	62	039747001156	Outlet Valve Assembly .....	1
25	039747001146	Internal Wiring w/Terminal .....	1	63	039747001154	Pressure Relief Knob Assembly .....	1
26	039747001087	On/Off Switch .....	1	64	039747001153	Pressure Relief Valve Assembly .....	1
27	039747001170	Warning Label .....	1	65	039747001051	Clean Adaptor .....	1
28	039747001169	Data Label .....	1	66	039747001158	Inlet Valve Assembly .....	1
29	039747001148	415 Tip .....	1	67	039747001042	Barb Pick-up Filter .....	1
30	039601001051	Barb Hose Fitting .....	1	68	039747001152	Hose Assembly (Includes Key No. 67) .....	1
31	039747001172	Pressure Control Dial Label .....	1	69	039747001151	Pressure Regulator Assembly .....	1
32	039747001091	Bucket .....	1	70	039747001184	Tip Saddle .....	1
33	039747001175	Quick Start Label .....	1	71	039747001185	Tip O-ring .....	1
34	039747001157	Bucket Lid Assembly .....	1	72	039747001191	Filter .....	1
35	039747001115	Upper Frame Tube .....	1				
36	039747001116	Screw .....	1				
37	039747001114	Single Arm Hanger .....	1				
38	039747001117	Soft Foam Handle Tube .....	1				

**Not Shown:**  
987000624  
5-30-13  
(Rev:07)

Operator's Manual (039747001168)

\* When ordering pump assembly part 039747001150, also order part 039747001153 pressure release valve.