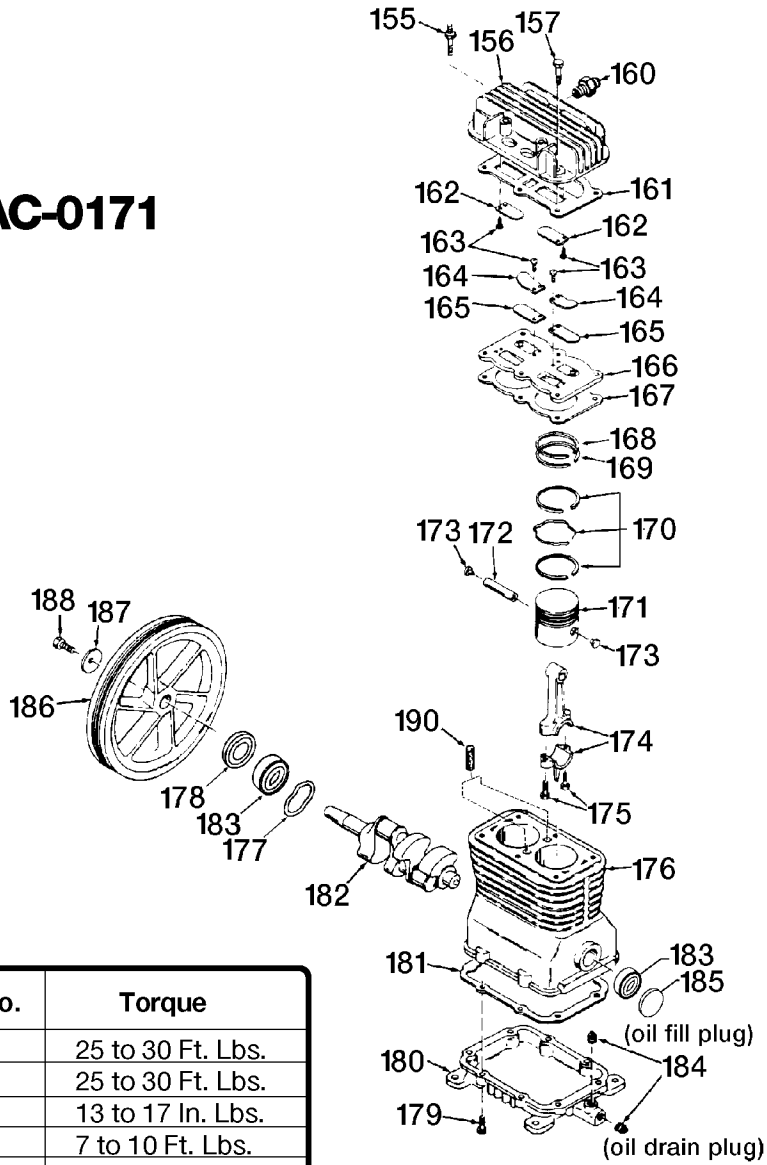


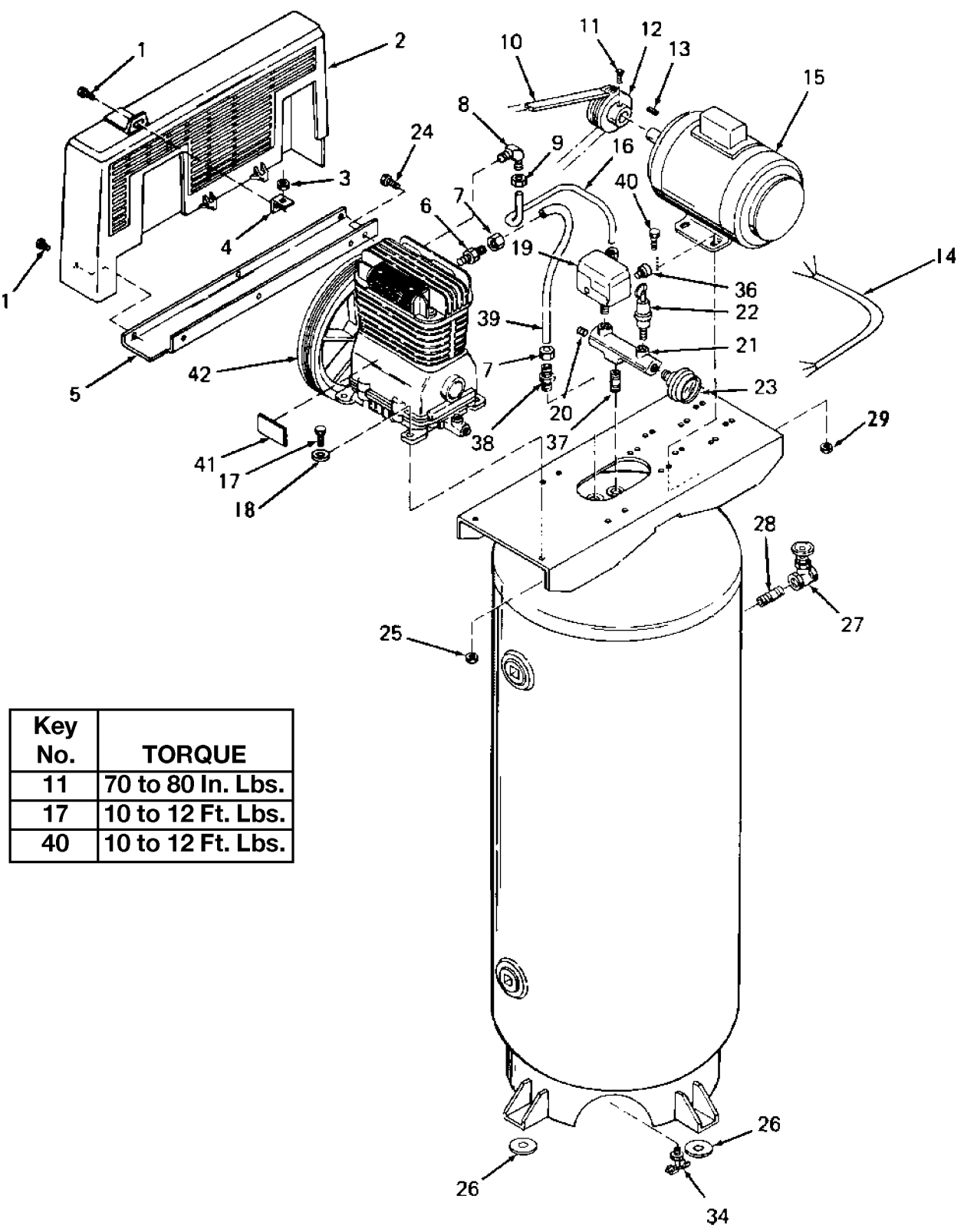
# AC-0171



Key No.	Torque
155	25 to 30 Ft. Lbs.
157	25 to 30 Ft. Lbs.
163	13 to 17 In. Lbs.
175	7 to 10 Ft. Lbs.
179	9 to 12 Ft. Lbs.
188	15 to 20 Ft. Lbs.

### Recommended Oils - One Stage Compressor Units

Use a compressor oil such as SAE 20-20W SF motor oil. (Crankcase oil capacity is 16 fluid ounces.) Under extreme winter conditions use 10 weight oil. Multiviscosity oil, 10W30, will leave carbon deposits on critical components, reducing performance and compressor life.



Key No.	TORQUE
11	70 to 80 In. Lbs.
17	10 to 12 Ft. Lbs.
40	10 to 12 Ft. Lbs.

## Parts List for RAL6560V Type 0

Item Number	Part Number	Description	Qty Required
1	SSF-953-ZN	SCREW #10X.625 HHW S	4
2	000000-00	No Longer Available	1
3	SSF-8113-ZN	NUT .375-16X.563 HEX	1
4	000000-00	No Longer Available	1
5	CAC-362-1	CLOSURE BELTGUARD	1
6	SSP-9401	CONNECTOR BODY STRAI	1
7	SSP-7812	ASSY NUT SLEEVE 1/2	2
8	SS-8553	CONNECTOR BODY	1
9	SSP-7811	ASSY NUT SLEEVE 1/4	1
10	C-BT-224	BELT 6J 47.3 EFF	1
11	SS-391	SCREW .250-20 .625 S	1
12	C-PU-2861	PULLEY 6J-SEC 2.80 O	1
13	SUDL-65	KEY MOTOR SHAFT	1
14	CAC-4205	CORD MOTOR SJT 14G	1
15	Z-MO-3022-1	MOTOR 2 POLE 240V O/	1
16	CAC-1331	TUBE PRESSURE RELEAS	1
17	SSF-928	SCREW .313-18X.875 H	4
19	000000-00	No Longer Available	1
20	SS-3222-CD	PLUG PIPE	1
21	CAC-95	MANIFOLD	1
22	TIA-4150	VALVE SAFETY 150 .25	1
23	A18885	GAUGE	1
24	39124607	SCREW .250-20X.625 H	2
26	000000-00	No Longer Available	4
27	N000323	VALVE GLOBE 200 PSI	1
29	SSF-8150	NUT .312-18 UNC HEX	1
34	N286039	DRAIN VALVE	1

## Parts List for RAL6560V Type 0

Item Number	Part Number	Description	Qty Required
36	33821-00	BUSHING	1
36	438010040063	HEYCO BUSHINGS	1
37	SS-2110	NIPPLE GALV 3/8 X 3	1
38	CAC-437-2	VALVE CHECK 1/2NPT X	1
39	CAC-357-1	TUBE OUTLET 60G	1
40	000000-00	No Longer Available	1
42	N076027SV	PUMP ASSEMBLY	1
155	SSF-6627	STUD SHOULDER 3/8-16	1
156	Z-CAC-4213	ASSY HEAD	1
157	SSF-955	SCREW .375-16X1.50 H	5
160	SSP-9401	CONNECTOR BODY STRAI	1
161	5140118-80	GASKET	1
162	KK-4275	KIT VALVE	1
163	KK-4275	KIT VALVE	1
164	CAC-294	PLATE RESTRICTOR	2
165	KK-4275	KIT VALVE	1
166	Z-CAC-4212-1	ASSY VALVE PLATE	1
167	5140118-79	GASKET	1
168	000000-00	No Longer Available	1
169	000000-00	No Longer Available	1
170	000000-00	No Longer Available	1
171	CAC-55-1	PISTON MACHINE DWG 2	1
172	265-19	PIN PISTON	2
173	CAC-207	PLUG PISTON PIN	4
174	265-410	ASSY CONNECTING ROD	1
175	SSF-927	SCREW .250-20X1.125	4
176	Z-AC-0205	CRANKCASE & CYLINDER	1

## Parts List for RAL6560V Type 0

Item Number	Part Number	Description	Qty Required
177	SSN-1018	WASHER WAVY SPRING 2	1
178	AC-0169	SEAL OIL	1
179	SSF-925	SCREW .250-20X.875 H	8
180	000000-00	No Longer Available	1
181	265-16-1	GASKET BASE	1
182	Z-D22270	CRANKSHAFT MACH BALL	1
183	SST-104	BEARING 6205C3	2
184	SSP-486	PLUG PIPE 3/8 - 18 N	2
185	SSP-505	PLUG 52MM OIL	1
186	265-2	FLYWHEEL 10 OD CI PO	1
187	SSN-1014-ZN	WASHER .339/.344 ID	1
188	SSF-3039-ZN	SCREW .313-18X.750 H	1
190	265-6	VENT FILTER	2
856	000000-00	No Longer Available	1
856	5140118-37	GASKET KIT	1
856	5140123-08	SCREW	1
856	265-18	RETAINER FILTER	1
856	KK-4275	KIT VALVE	1
856	KK-5020	KIT PRESSURE RELIEF	1
856	265-17	FILTER FELT	1