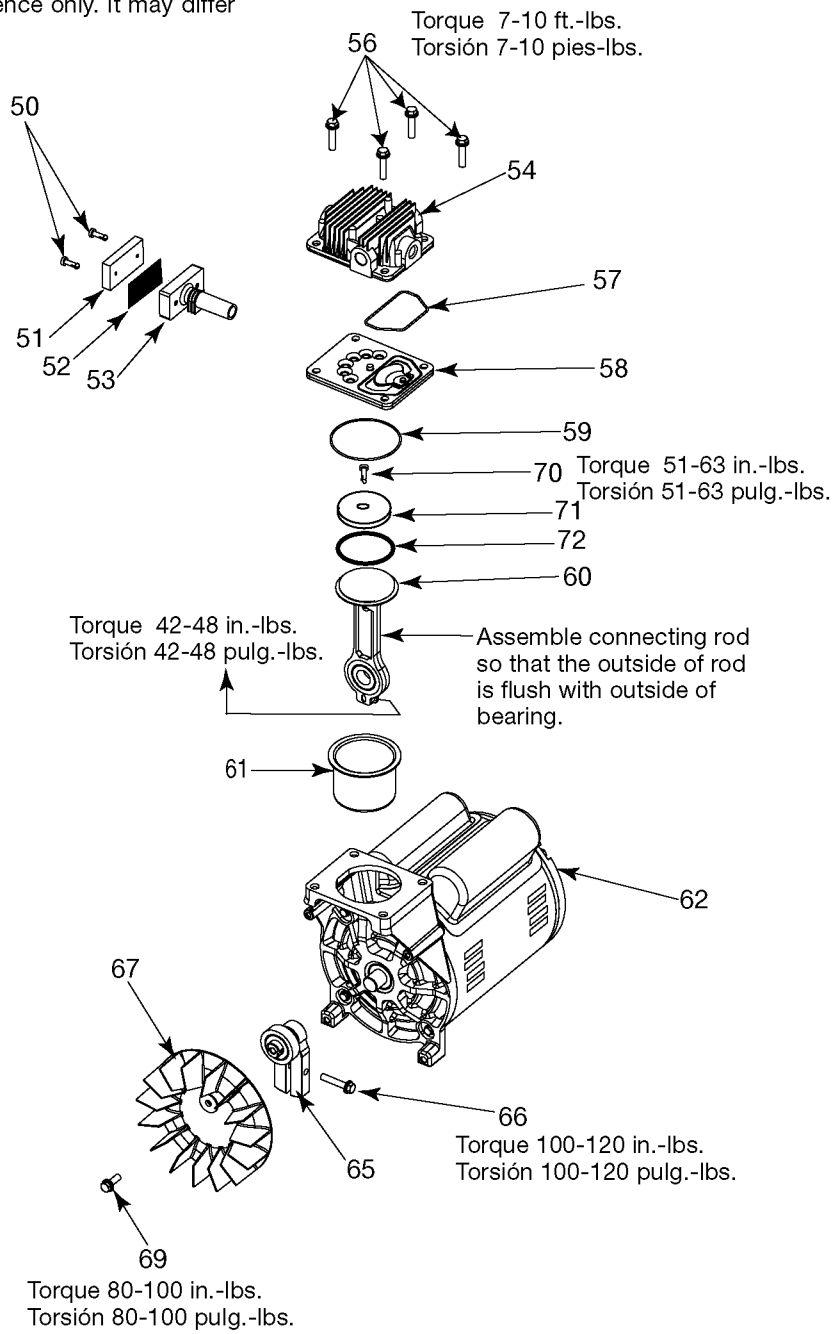
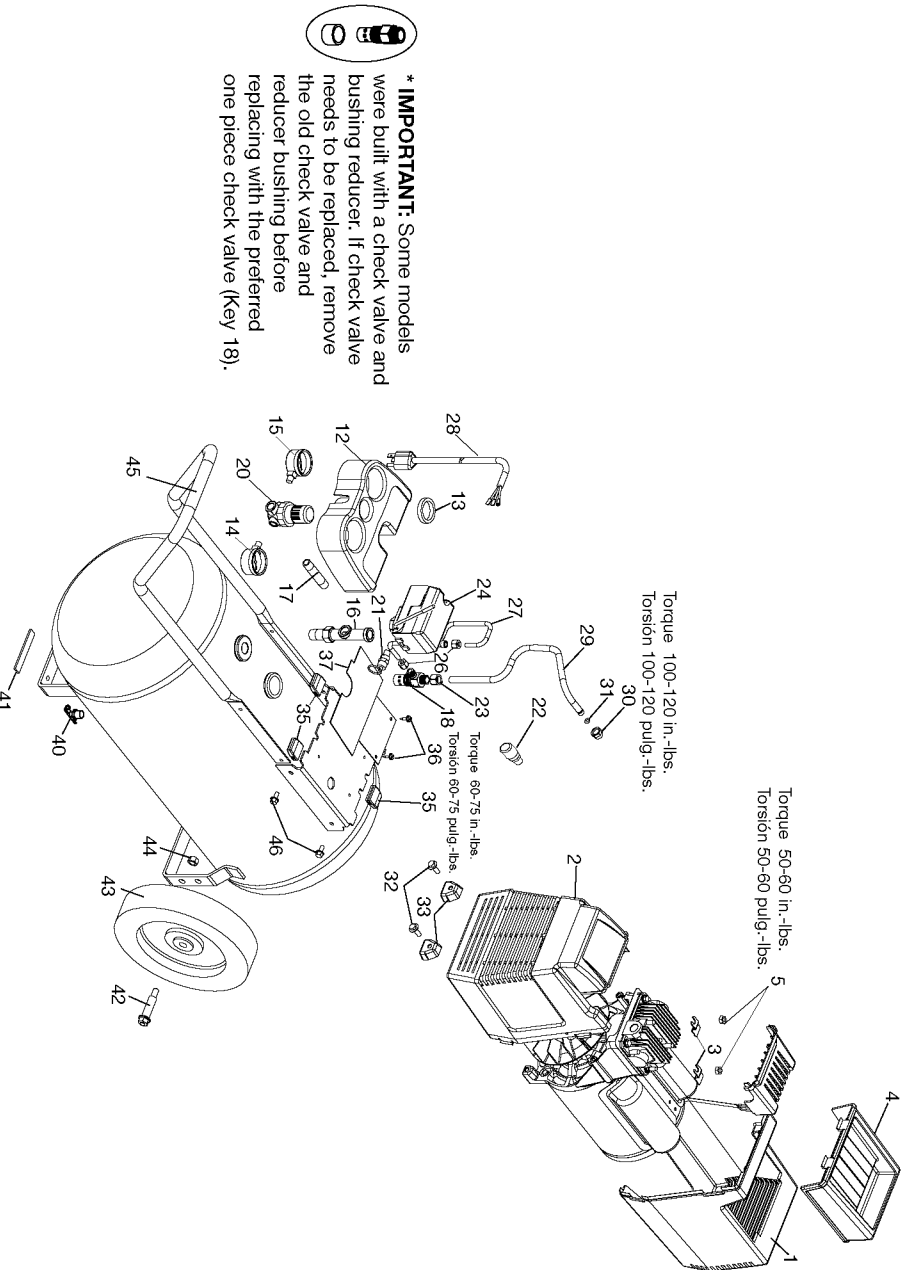
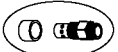


The picture shown is for reference only. It may differ from actual unit.





*** IMPORTANT:** Some models were built with a check valve and bushing reducer. If check valve needs to be replaced, remove the old check valve and reducer bushing before replacing with the preferred one piece check valve (Key 18).



Parts List for RAF412 Type 2

| Item Number | Part Number | Description | Qty Required |
|-------------|-------------|----------------------|--------------|
| 1 | AC-0046 | SHROUD REAR 3PT SING | 1 |
| 2 | AC-0078 | SHROUD FRONT BLK | 1 |
| 3 | CAC-1121 | BRACKET SHROUD | 2 |
| 4 | CAC-1080 | TRAY TOOL | 1 |
| 5 | 038738-00 | NUT | 2 |
| 12 | 000000-00 | No Longer Available | 1 |
| 13 | CAC-61 | RING PANEL MOUNTING | 1 |
| 14 | AC-0009-1 | GAUGE RIGHT HAND | 1 |
| 15 | Z-AC-0010-1 | GAUGE LEFT HAND | 1 |
| 16 | AC-0027-2 | STANDPIPE BRASS MALE | 1 |
| 17 | SSP-480 | NIPPLE 1/4-18 NPT X | 1 |
| 18 | A19717 | VALVE CHECK 3/4NPT X | 1 |
| 20 | AC-0007 | REGULATOR 4PORT P1P2 | 1 |
| 21 | 97503734 | VALVE SAFETY 150 .12 | 1 |
| 22 | D26889 | ADAPTER .25 NPT X .2 | 1 |
| 23 | SSP-7813 | ASSY NUT SLEEVE 3/8 | 1 |
| 24 | 5140112-18 | PRESSURE SWITCH | 1 |
| 26 | SSP-7811 | ASSY NUT SLEEVE 1/4 | 2 |
| 27 | AC-0160 | TUBE PRES REL .250OD | 1 |
| 28 | SUDL-413-2 | ASSY CORD POWER ST | 1 |
| 29 | AC-0125 | TUBE OUTLET .375OD A | 1 |
| 30 | SSP-7821-1 | NUT .563-18 UNF HEX | 1 |
| 31 | SSG-3105 | ORING 306/296ID 073/ | 1 |
| 32 | 91895680 | SCREW .250-20X.750 H | 2 |
| 33 | ACG-18 | CUP SADDLE MOUNT | 1 |
| 35 | ACG-19 | ISOLATOR 3 POINT MOU | 3 |
| 36 | SSF-953-ZN | SCREW #10X.625 HHW S | 2 |

Parts List for RAF412 Type 2

| Item Number | Part Number | Description | Qty Required |
|-------------|-------------|----------------------|--------------|
| 37 | AC-0047 | GUARD FAN | 1 |
| 40 | N286039 | DRAIN VALVE | 1 |
| 41 | SUDL-6-1 | STRIP RUBBER FOOT | 1 |
| 42 | CAC-60 | BOLT .375-16X2.25 UN | 2 |
| 43 | D23138 | WHEEL 9 BLACK SEMI-P | 2 |
| 44 | SSF-8080-ZN | NUT .375-16 UNC-2B H | 1 |
| 45 | 000000-00 | No Longer Available | 1 |
| 46 | SSF-981 | SCREW .250-14X.500 H | 4 |
| 50 | KK-4981 | KIT MUFFLER FILTER | 1 |
| 51 | DAC-143 | FILTER INTAKE | 1 |
| 52 | KK-4981 | KIT MUFFLER FILTER | 1 |
| 53 | KK-4981 | KIT MUFFLER FILTER | 1 |
| 54 | AC-0037 | HEAD 3/8 OUTLET FRON | 1 |
| 56 | SSF-927 | SCREW .250-20X1.125 | 1 |
| 57 | ACG-45 | ORING P/L HEAD | 1 |
| 58 | Z-AC-0032 | ASSY VALVE PLATE | 1 |
| 59 | SSG-8156 | ORING 2.759/2.719ID | 1 |
| 60 | KK-4835 | KIT CONNECTING ROD L | 1 |
| 61 | KK-4835 | KIT CONNECTING ROD L | 1 |
| 62 | Z-MO-9045 | MOTOR P/L 3PT STD | 1 |
| 65 | Z-AC-0140 | ASSY ECCENTRIC BEARI | 1 |
| 66 | SSF-990 | SCREW .250-20X1.25 U | 1 |
| 67 | AC-0108 | FAN 5.75 DIA | 1 |
| 69 | SSF-586 | SCREW .250-20X.750 U | 1 |
| 70 | SSF-3158-1 | SCREW #10-24X.750 TH | 1 |
| 71 | KK-4835 | KIT CONNECTING ROD L | 1 |
| 72 | KK-4835 | KIT CONNECTING ROD L | 1 |

Parts List for RAF412 Type 2

| Item Number | Part Number | Description | Qty Required |
|-------------|-------------|----------------------|--------------|
| 856 | KK-4981 | KIT MUFFLER FILTER | 1 |
| 856 | KK-4835 | KIT CONNECTING ROD L | 1 |
| 856 | K-0650 | KIT COMP RING REPLAC | 1 |