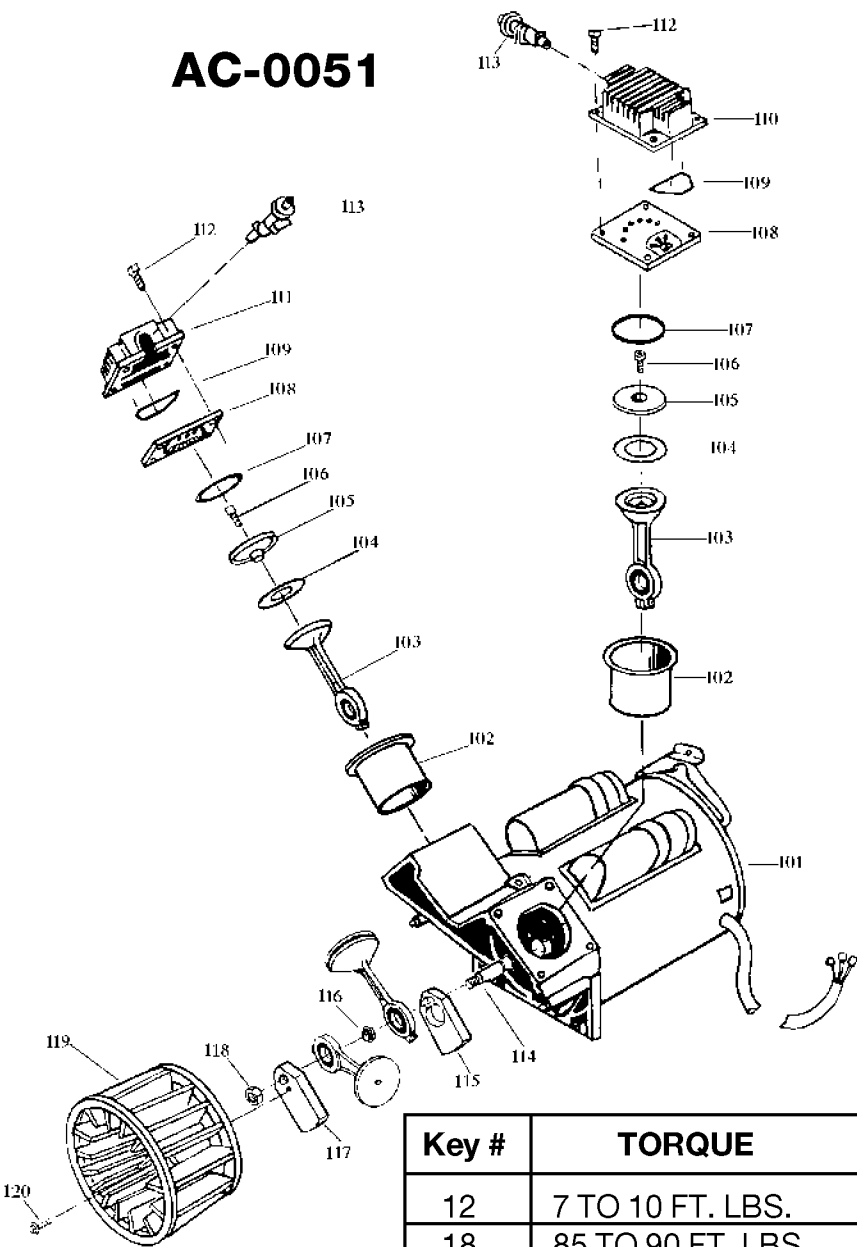


AC-0051



| Key # | TORQUE |
|------------------------------|-------------------|
| 12 | 7 TO 10 FT. LBS. |
| 18 | 85 TO 90 FT. LBS. |
| 20 | 75 TO 90 IN. LBS. |
| * TORQUE WRENCH MUST BE USED | |

Parts List for RAC500TVE30 Type 1

| Item Number | Part Number | Description | Qty Required |
|-------------|-------------|----------------------|--------------|
| 1 | DAC-244 | SHROUD FRONT TWIN CY | 1 |
| 2 | DAC-243 | SHROUD REAR TWIN CYL | 1 |
| 5 | ACG-408 | ASSY FASTENER | 3 |
| 7 | ACG-13 | COVER INTAKE MUFFLER | 1 |
| 8 | ACG-12 | ELEMENT FILTER INTAK | 1 |
| 9 | SSF-554 | SCREW #10-14X2.50 PA | 2 |
| 12 | 000000-00 | No Longer Available | 1 |
| 13 | CAC-61 | RING PANEL MOUNTING | 1 |
| 14 | AC-0009-1 | GAUGE RIGHT HAND | 1 |
| 15 | Z-AC-0010-1 | GAUGE LEFT HAND | 1 |
| 16 | AC-0027-2 | STANDPIPE BRASS MALE | 1 |
| 17 | SSP-480 | NIPPLE 1/4-18 NPT X | 1 |
| 18 | A19711 | VALVE CHECK 1/2NPT X | 1 |
| 19 | 000000-00 | No Longer Available | 1 |
| 20 | AC-0007 | REGULATOR 4PORT P1P2 | 1 |
| 21 | 97503734 | VALVE SAFETY 150 .12 | 1 |
| 22 | D26889 | ADAPTER .25 NPT X .2 | 1 |
| 23 | SSP-7813 | ASSY NUT SLEEVE 3/8 | 1 |
| 24 | 5140112-18 | PRESSURE SWITCH | 1 |
| 25 | SS-8553 | CONNECTOR BODY | 1 |
| 26 | SSP-7811 | ASSY NUT SLEEVE 1/4 | 2 |
| 27 | AC-0028 | TUBE PRES REL .250OD | 1 |
| 28 | SUDL-415-1 | ASSY CORD POWER ST | 1 |
| 29 | AC-0126 | TUBE OUTLET .375OD A | 1 |
| 30 | SSP-7821-1 | NUT .563-18 UNF HEX | 1 |
| 31 | SSG-3105 | ORING 306/296ID 073/ | 1 |
| 32 | SSF-990 | SCREW .250-20X1.25 U | 1 |

Parts List for RAC500TVE30 Type 1

| Item Number | Part Number | Description | Qty Required |
|-------------|-------------|----------------------|--------------|
| 33 | ACG-18 | CUP SADDLE MOUNT | 2 |
| 34 | AC-0099 | TUBE OUTLET .375OD A | 1 |
| 35 | ACG-19 | ISOLATOR 3 POINT MOU | 1 |
| 39 | 000000-00 | No Longer Available | 1 |
| 40 | N286039 | DRAIN VALVE | 1 |
| 41 | SUDL-6-1 | STRIP RUBBER FOOT | 1 |
| 42 | CAC-60 | BOLT .375-16X2.25 UN | 2 |
| 43 | 000000-00 | No Longer Available | 2 |
| 44 | SSF-8080-ZN | NUT .375-16 UNC-2B H | 2 |
| 45 | 000000-00 | No Longer Available | 1 |
| 46 | SSF-981 | SCREW .250-14X.500 H | 4 |
| 47 | 000000-00 | No Longer Available | 1 |
| 101 | 000000-00 | No Longer Available | 1 |
| 102 | A02743 | KIT CONNECTING ROD | 2 |
| 103 | A02743 | KIT CONNECTING ROD | 1 |
| 104 | A02743 | KIT CONNECTING ROD | 1 |
| 105 | ACG-29 | CAP CONNECTING ROD C | 2 |
| 106 | SSF-3158-1 | SCREW #10-24X.750 TH | 2 |
| 107 | SSG-8156 | ORING 2.759/2.719ID | 2 |
| 108 | 000000-00 | No Longer Available | 2 |
| 109 | ACG-45 | ORING P/L HEAD | 1 |
| 110 | 000000-00 | No Longer Available | 1 |
| 111 | 000000-00 | No Longer Available | 1 |
| 112 | SSF-990 | SCREW .250-20X1.25 U | 1 |
| 113 | ACG-11 | MUFFLER INTAKE 2 CYL | 1 |
| 114 | ACG-8 | PIN ECCENTRIC | 1 |
| 115 | 000000-00 | No Longer Available | 1 |

Parts List for RAC500TVE30 Type 1

| Item Number | Part Number | Description | Qty Required |
|-------------|-------------|----------------------|--------------|
| 116 | ACG-9 | WASHER ALIGN | 1 |
| 117 | 000000-00 | No Longer Available | 1 |
| 118 | ACG-23 | NUT .500-20 UNF-2A H | 1 |
| 119 | ACG-22 | FAN RADIAL 6.0 OD | 1 |
| 120 | 39124607 | SCREW .250-20X.625 H | 1 |
| 856 | 000000-00 | No Longer Available | 1 |
| 856 | 000000-00 | No Longer Available | 1 |
| 856 | 000000-00 | No Longer Available | 1 |
| 856 | K-0650 | KIT COMP RING REPLAC | 1 |
| 856 | KK-4315 | KIT VALVE REPLACEMEN | 1 |
| 856 | A02743 | KIT CONNECTING ROD | 1 |