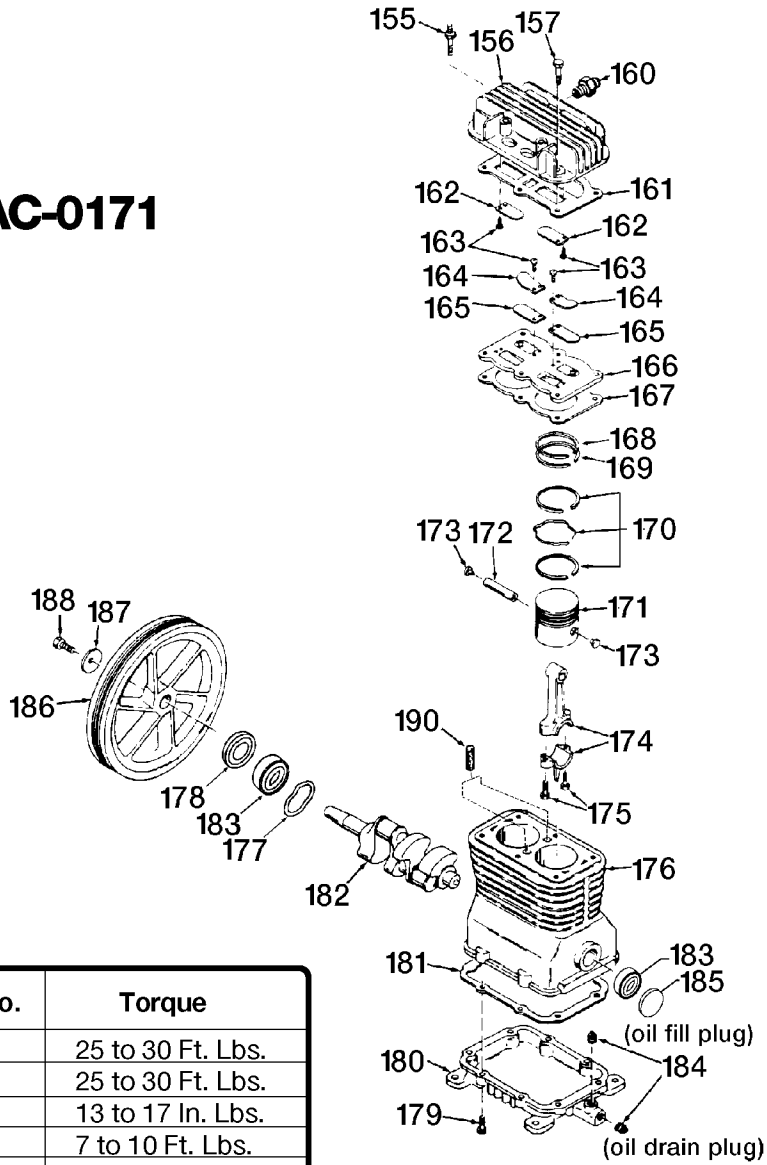


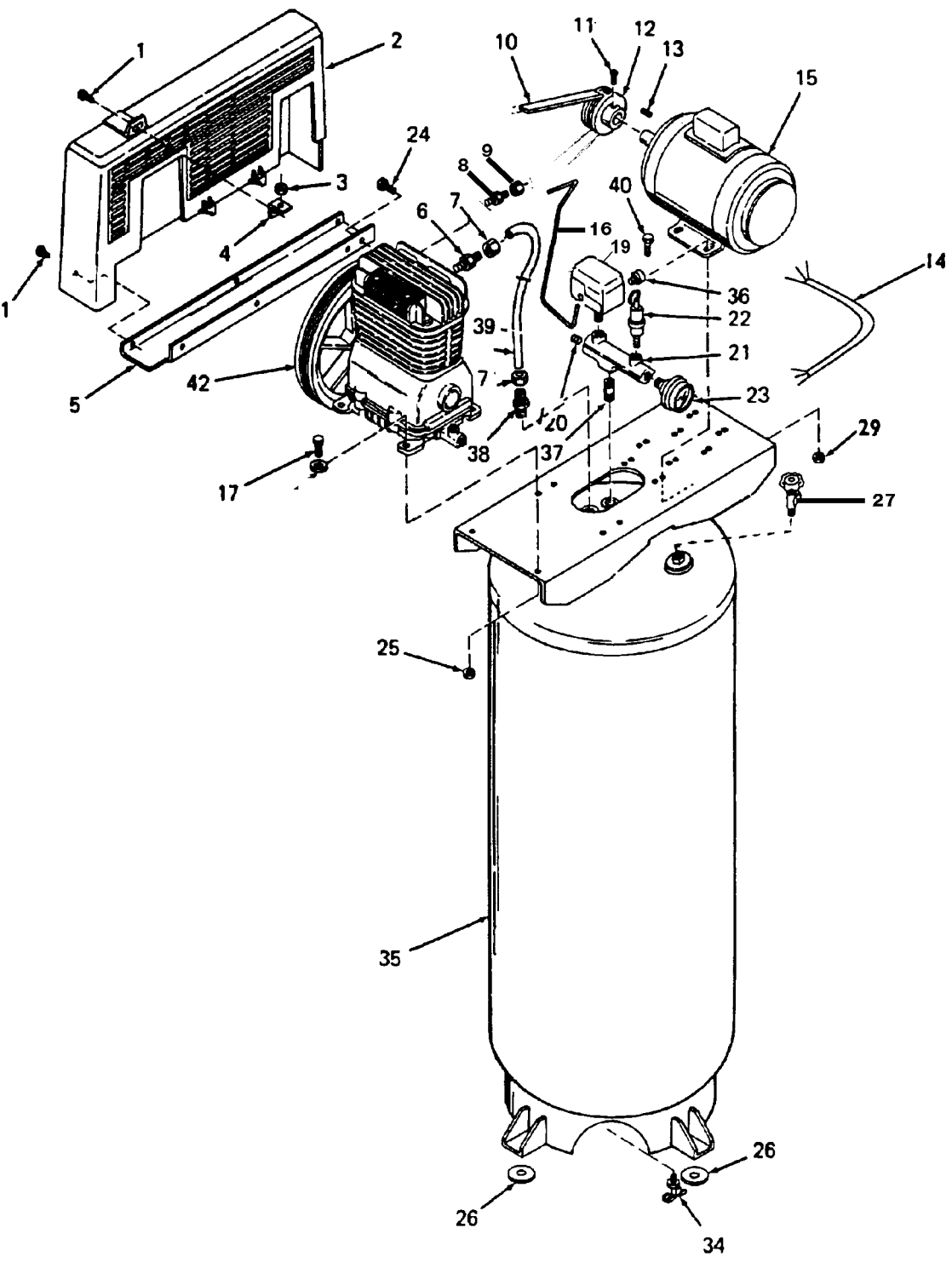
AC-0171



| Key No. | Torque |
|---------|-------------------|
| 155 | 25 to 30 Ft. Lbs. |
| 157 | 25 to 30 Ft. Lbs. |
| 163 | 13 to 17 In. Lbs. |
| 175 | 7 to 10 Ft. Lbs. |
| 179 | 9 to 12 Ft. Lbs. |
| 188 | 15 to 20 Ft. Lbs. |

Recommended Oils - One Stage Compressor Units

Use a compressor oil such as SAE 20-20W SF motor oil. (Crankcase oil capacity is 16 fluid ounces.) Under extreme winter conditions use 10 weight oil. Multiviscosity oil, 10W30, will leave carbon deposits on critical components, reducing performance and compressor life.



Parts List for RA5E60VAD Type 1

| Item Number | Part Number | Description | Qty Required |
|-------------|-------------|----------------------|--------------|
| 1 | SSF-953-ZN | SCREW #10X.625 HHW S | 4 |
| 2 | 000000-00 | No Longer Available | 1 |
| 3 | SSF-8113-ZN | NUT .375-16X.563 HEX | 1 |
| 4 | 000000-00 | No Longer Available | 1 |
| 5 | CAC-362-1 | CLOSURE BELTGUARD | 1 |
| 6 | SSP-9401 | CONNECTOR BODY STRAI | 1 |
| 7 | SSP-7812 | ASSY NUT SLEEVE 1/2 | 2 |
| 8 | SS-8553 | CONNECTOR BODY | 1 |
| 9 | SSP-7811 | ASSY NUT SLEEVE 1/4 | 1 |
| 10 | C-BT-224 | BELT 6J 47.3 EFF | 1 |
| 11 | SS-391 | SCREW .250-20 .625 S | 1 |
| 12 | 000000-00 | No Longer Available | 1 |
| 13 | SUDL-65 | KEY MOTOR SHAFT | 1 |
| 14 | CAC-4205 | CORD MOTOR SJT 14G | 1 |
| 15 | Z-MO-3022-1 | MOTOR 2 POLE 240V O/ | 1 |
| 16 | 000000-00 | No Longer Available | 1 |
| 17 | SSF-928 | SCREW .313-18X.875 H | 4 |
| 19 | 000000-00 | No Longer Available | 1 |
| 20 | SS-3222-CD | PLUG PIPE | 1 |
| 21 | CAC-95 | MANIFOLD | 1 |
| 22 | TIA-4150 | VALVE SAFETY 150 .25 | 1 |
| 23 | A18885 | GAUGE | 1 |
| 24 | 39124607 | SCREW .250-20X.625 H | 3 |
| 25 | SSF-8150 | NUT .312-18 UNC HEX | 8 |
| 26 | 000000-00 | No Longer Available | 4 |
| 27 | N000323 | VALVE GLOBE 200 PSI | 1 |
| 29 | SSF-8150 | NUT .312-18 UNC HEX | 1 |

Parts List for RA5E60VAD Type 1

| Item Number | Part Number | Description | Qty Required |
|-------------|--------------|----------------------|--------------|
| 34 | N286039 | DRAIN VALVE | 1 |
| 35 | 000000-00 | No Longer Available | 1 |
| 36 | 33821-00 | BUSHING | 1 |
| 36 | 438010040063 | HEYCO BUSHINGS | 1 |
| 37 | SS-2110 | NIPPLE GALV 3/8 X 3 | 1 |
| 38 | CAC-437-2 | VALVE CHECK 1/2NPT X | 1 |
| 39 | CAC-357-1 | TUBE OUTLET 60G | 1 |
| 40 | 000000-00 | No Longer Available | 4 |
| 42 | N076027SV | PUMP ASSEMBLY | 1 |
| 43 | SSF-6627 | STUD SHOULDER 3/8-16 | 2 |
| 44 | 5140123-08 | SCREW | 2 |
| 45 | 265-18 | RETAINER FILTER | 1 |
| 46 | 000000-00 | No Longer Available | 1 |
| 47 | SSF-955 | SCREW .375-16X1.50 H | 4 |
| 48 | Z-CAC-4213 | ASSY HEAD | 1 |
| 49 | 000000-00 | No Longer Available | 1 |
| 50 | KK-4275 | KIT VALVE | 1 |
| 51 | KK-4275 | KIT VALVE | 1 |
| 52 | CAC-294 | PLATE RESTRICTOR | 2 |
| 53 | KK-4275 | KIT VALVE | 1 |
| 54 | Z-CAC-4212-1 | ASSY VALVE PLATE | 1 |
| 55 | 000000-00 | No Longer Available | 1 |
| 56 | 000000-00 | No Longer Available | 1 |
| 57 | 000000-00 | No Longer Available | 4 |
| 58 | 000000-00 | No Longer Available | 1 |
| 59 | CAC-55-1 | PISTON MACHINE DWG 2 | 1 |
| 60 | 265-19 | PIN PISTON | 1 |

Parts List for RA5E60VAD Type 1

| Item Number | Part Number | Description | Qty Required |
|-------------|-------------|----------------------|--------------|
| 61 | CAC-207 | PLUG PISTON PIN | 1 |
| 62 | 265-410 | ASSY CONNECTING ROD | 2 |
| 63 | SSF-927 | SCREW .250-20X1.125 | 4 |
| 64 | Z-D22619 | ASSY CRANKCASE/CRANK | 1 |
| 65 | 000000-00 | No Longer Available | 1 |
| 66 | 000000-00 | No Longer Available | 1 |
| 67 | SSF-925 | SCREW .250-20X.875 H | 12 |
| 68 | 000000-00 | No Longer Available | 1 |
| 69 | 000000-00 | No Longer Available | 1 |
| 70 | Z-AC-0210-1 | CRANKSHAFT MACHINED | 1 |
| 71 | 000000-00 | No Longer Available | 1 |
| 72 | 000000-00 | No Longer Available | 1 |
| 73 | 000000-00 | No Longer Available | 1 |
| 74 | 265-2 | FLYWHEEL 10 OD CI PO | 1 |
| 75 | SSN-1014-ZN | WASHER .339/.344 ID | 1 |
| 76 | SSF-3039-ZN | SCREW .313-18X.750 H | 1 |
| 77 | 000000-00 | No Longer Available | 1 |
| 78 | 000000-00 | No Longer Available | 1 |
| 155 | SSF-6627 | STUD SHOULDER 3/8-16 | 1 |
| 156 | Z-CAC-4213 | ASSY HEAD | 1 |
| 157 | SSF-955 | SCREW .375-16X1.50 H | 5 |
| 160 | SSP-9401 | CONNECTOR BODY STRAI | 1 |
| 161 | 5140118-80 | GASKET | 1 |
| 162 | KK-4275 | KIT VALVE | 1 |
| 163 | KK-4275 | KIT VALVE | 1 |
| 164 | CAC-294 | PLATE RESTRICTOR | 1 |
| 165 | KK-4275 | KIT VALVE | 1 |

Parts List for RA5E60VAD Type 1

| Item Number | Part Number | Description | Qty Required |
|-------------|--------------|----------------------|--------------|
| 166 | Z-CAC-4212-1 | ASSY VALVE PLATE | 1 |
| 167 | 5140118-79 | GASKET | 1 |
| 168 | 000000-00 | No Longer Available | 1 |
| 169 | KK-4275 | KIT VALVE | 1 |
| 170 | 000000-00 | No Longer Available | 1 |
| 171 | CAC-55-1 | PISTON MACHINE DWG 2 | 2 |
| 172 | 265-19 | PIN PISTON | 1 |
| 173 | CAC-207 | PLUG PISTON PIN | 4 |
| 174 | 265-410 | ASSY CONNECTING ROD | 1 |
| 175 | SSF-927 | SCREW .250-20X1.125 | 1 |
| 176 | Z-AC-0205 | CRANKCASE & CYLINDER | 1 |
| 177 | SSN-1018 | WASHER WAVY SPRING 2 | 1 |
| 178 | AC-0169 | SEAL OIL | 1 |
| 179 | SSF-925 | SCREW .250-20X.875 H | 1 |
| 180 | 000000-00 | No Longer Available | 1 |
| 181 | 265-16-1 | GASKET BASE | 1 |
| 182 | Z-D22270 | CRANKSHAFT MACH BALL | 1 |
| 183 | SST-104 | BEARING 6205C3 | 1 |
| 184 | SSP-486 | PLUG PIPE 3/8 - 18 N | 2 |
| 185 | SSP-505 | PLUG 52MM OIL | 1 |
| 186 | 265-2 | FLYWHEEL 10 OD CI PO | 1 |
| 187 | SSN-1014-ZN | WASHER .339/.344 ID | 1 |
| 188 | SSF-3039-ZN | SCREW .313-18X.750 H | 1 |
| 190 | 265-6 | VENT FILTER | 2 |
| 856 | 000000-00 | No Longer Available | 1 |
| 856 | 5140118-37 | GASKET KIT | 1 |
| 856 | 5140123-08 | SCREW | 1 |

Parts List for RA5E60VAD Type 1

| Item Number | Part Number | Description | Qty Required |
|-------------|-------------|---------------------|--------------|
| 856 | 000000-00 | No Longer Available | 1 |
| 856 | KK-4275 | KIT VALVE | 1 |
| 856 | 265-17 | FILTER FELT | 1 |
| 856 | 265-18 | RETAINER FILTER | 1 |