

Screwdriver Bit Set - 2 610 927 684 - RA1181

www.powertools-aftersaleservice.com

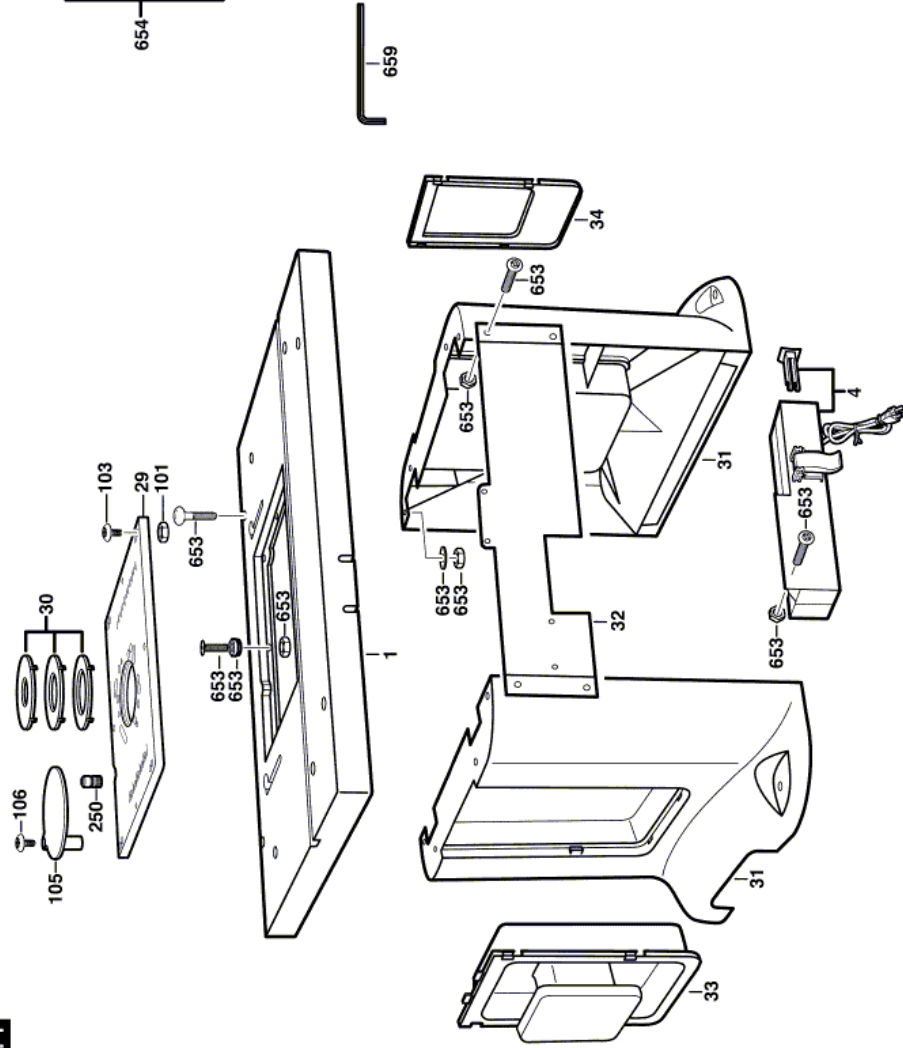


BOSCH

Item	Part Number	Description	Illustration	Price	Quantity	Price Group
1	2 610 913 850	Table	1	-,-	1	-
4	2 610 933 736	On-Off Switch	1	-,-	1	-
22	2 610 927 685	Feather board	2	-,-	2	15
23	2 610 927 687	Protective Guard	2	-,-	1	18
24	2 610 930 995	Router table fence	2	-,-	1	-
25	2 610 927 689	Faceplate	2	-,-	2	20
26	2 610 927 690	Shim Plate	2	-,-	2	-
27	2 610 934 336	Dust Chamber	2	-,-	1	-
29	2 610 938 414	Adapter Plate	1	-,-	1	-
30	2 610 915 125	Insert ring set	1	-,-	1	12
31	2 610 915 128	Table Leg	1	-,-	2	-
32	2 610 927 735	Faceplate	1	-,-	1	-
33	2 610 915 133	Cord	1	-,-	1	-
34	2 610 915 132	Panel	1	-,-	1	-
101	2 610 927 677	Stop Nut	1	-,-	4	-
103	2 610 929 301	Cyl Head tapping screw	1	-,-	4	-
105	2 610 915 134	Protective Guard	1	-,-	1	16
106	2 610 927 712	Screw	1	-,-	1	-
111	2 610 923 892	Round-Head Bolt	2	-,-	4	-
122	2 610 927 743	Spacer	2	-,-	1	10
160	2 610 923 283	Knob	2	-,-	1	-
163	2 610 923 280	Knob	2	-,-	1	-
201	2 610 927 724	Plain Washer	2	-,-	6	-
212	2 610 927 718	Round-Head Bolt	2	-,-	6	11
213	2 610 923 896	Countersunk-Head Screw	2	-,-	2	10
215	2 610 923 897	Round-Head Bolt	2	-,-	2	-
221	2 610 923 439	Combi-Nut	2	-,-	2	-
250	2 610 927 738	Guiding bolt	1	-,-	1	11
653	2 610 927 739	Accessories Bag	1	-,-	1	-
654	2 610 927 740	Parts Set	1	-,-	1	-
659	2 610 001 643	Hexagon Socket Screw Key 1/8"	1	-,-	1	11

Illustration - Type E

- Motor Mounting Hardware
- 1/4-20 x 1-1/2" (4)
 - 10-24 x 3/4" (3)
 - 10-32 x 3/4" (3)
 - 8-32 x 3/4" (3)
 - 5/16-18 x 3/4" (3)
 - 1/4" (4)



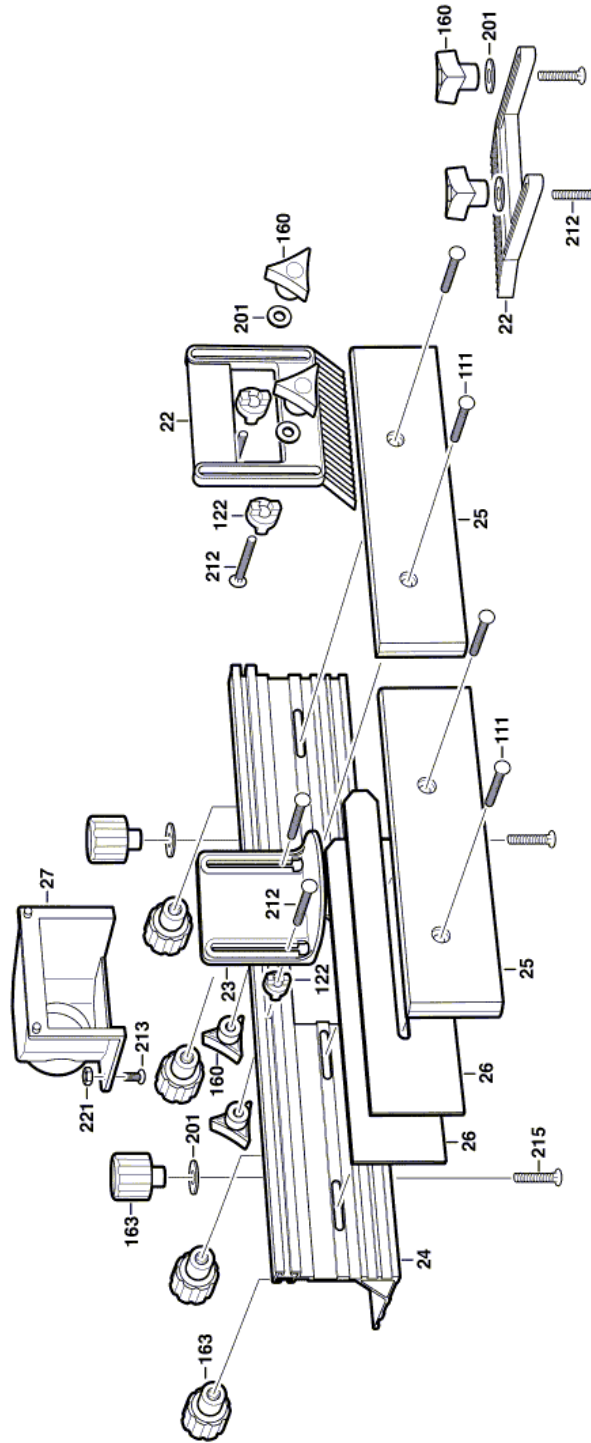
Modifications reserved
 Änderungen vorbehalten
 Modifications réservés
 Salvo modificaciones

2 610 927 684
 Issue 1
 Stand 09-07-13
Fig./Abb. 1

Illustration - Type E

2 610 927 684
Issue | 12-14
Stand | 09-07-13

Fig./Abb. 2



Modifications reserved
Änderungen vorbehalten
Modificaciones reservadas
Salvo modificaciones