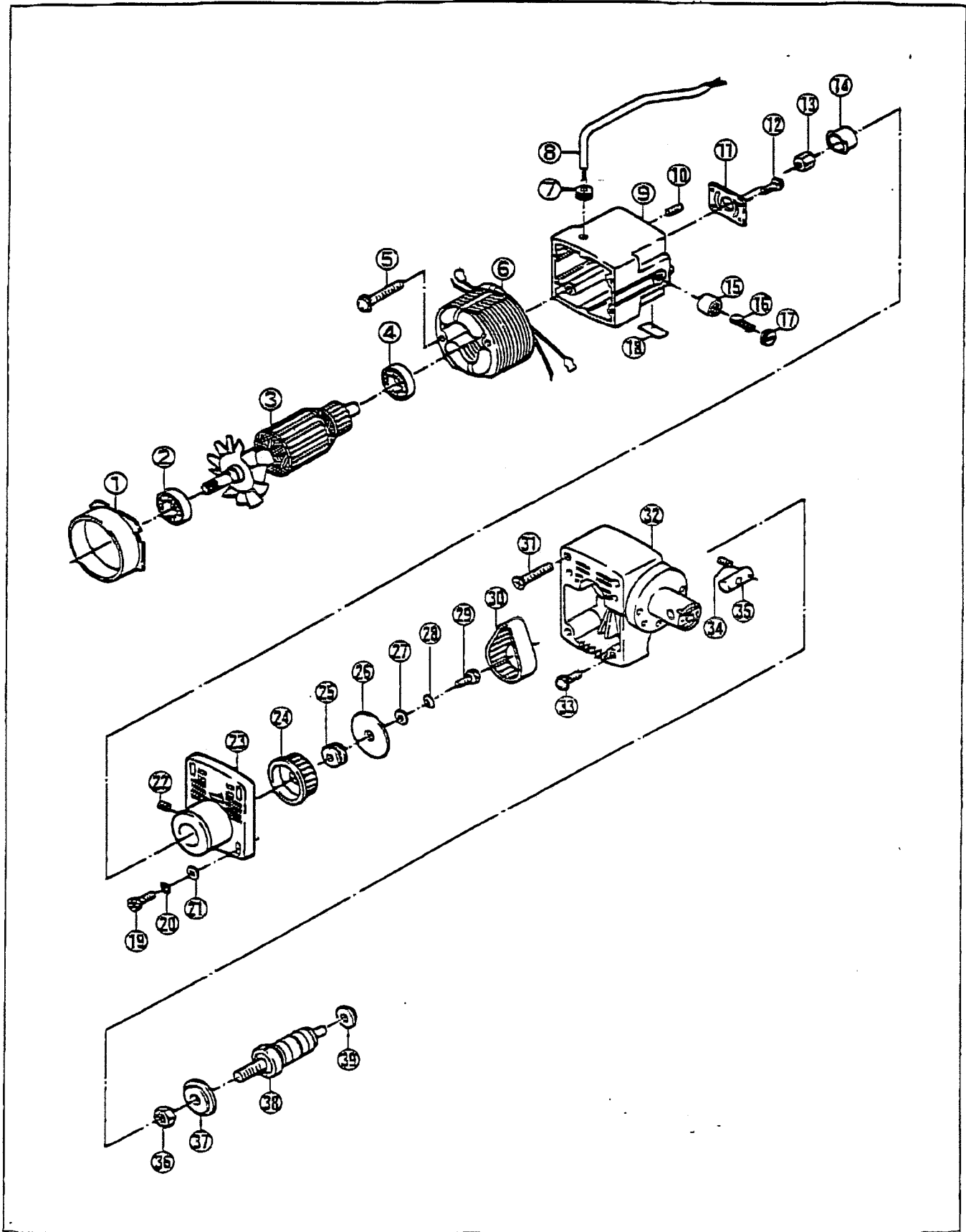


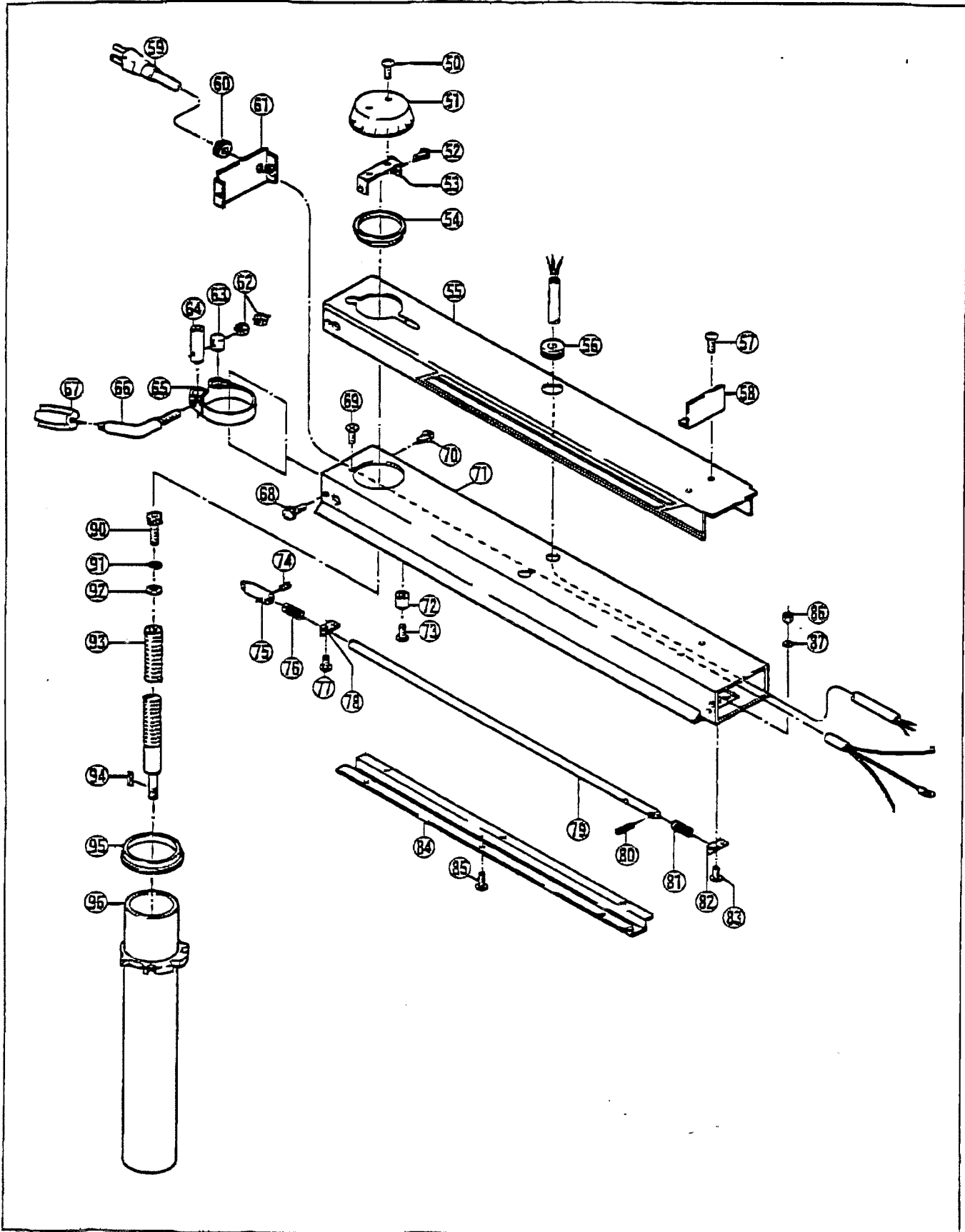
RADIAL ARM SAW

RA-2500



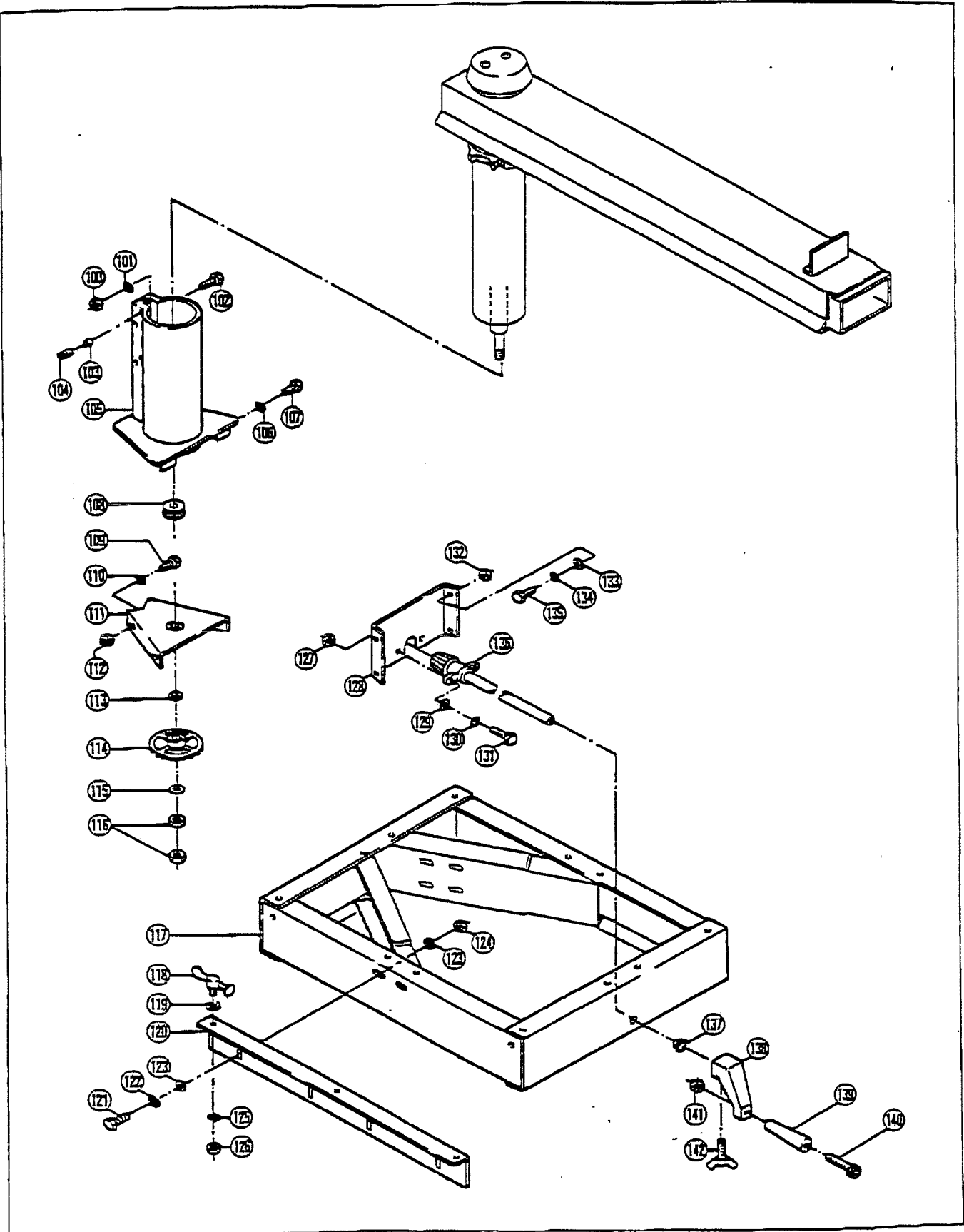
RADIAL ARM SAW

RA-2500



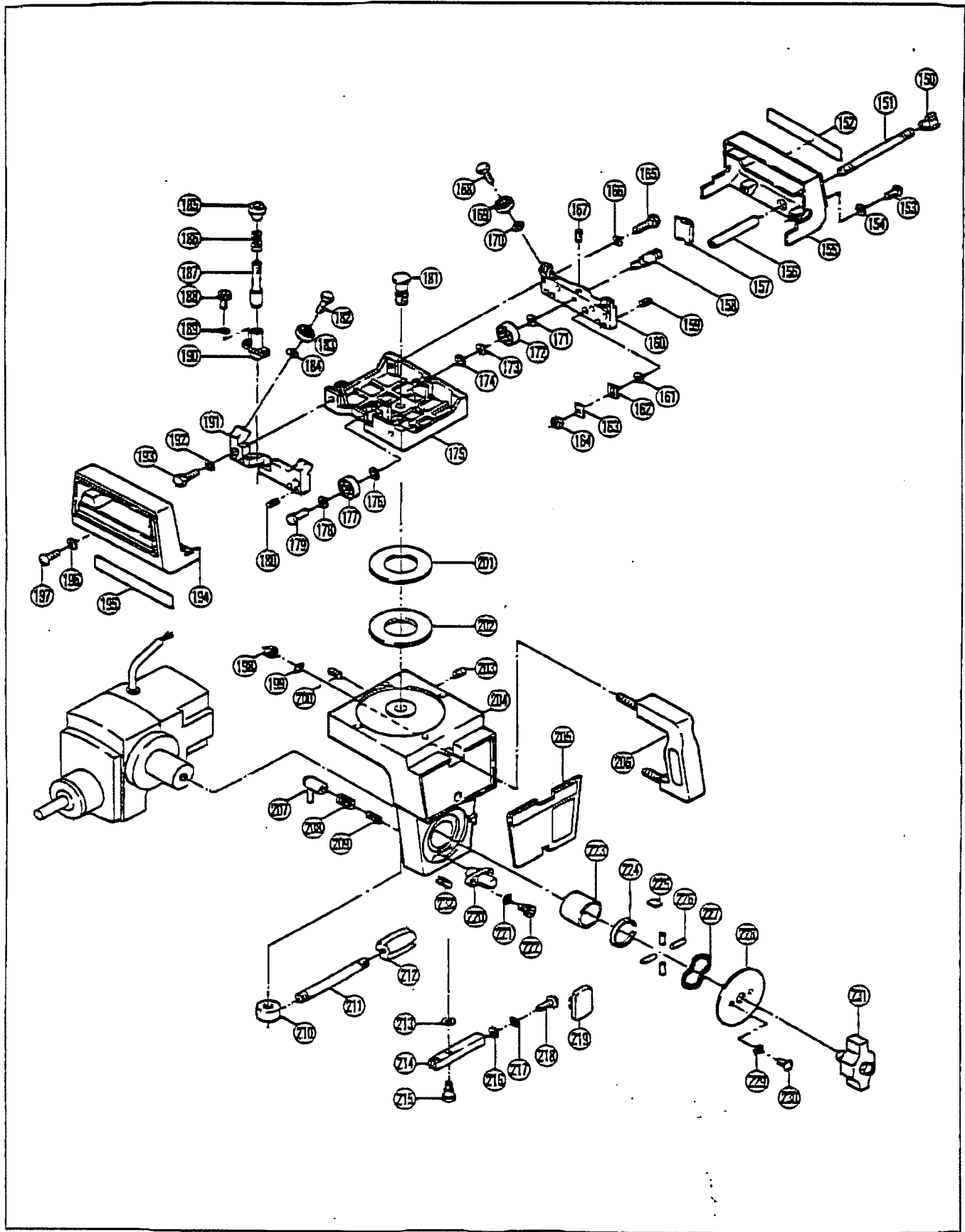
RADIAL ARM SAW

RA-2500



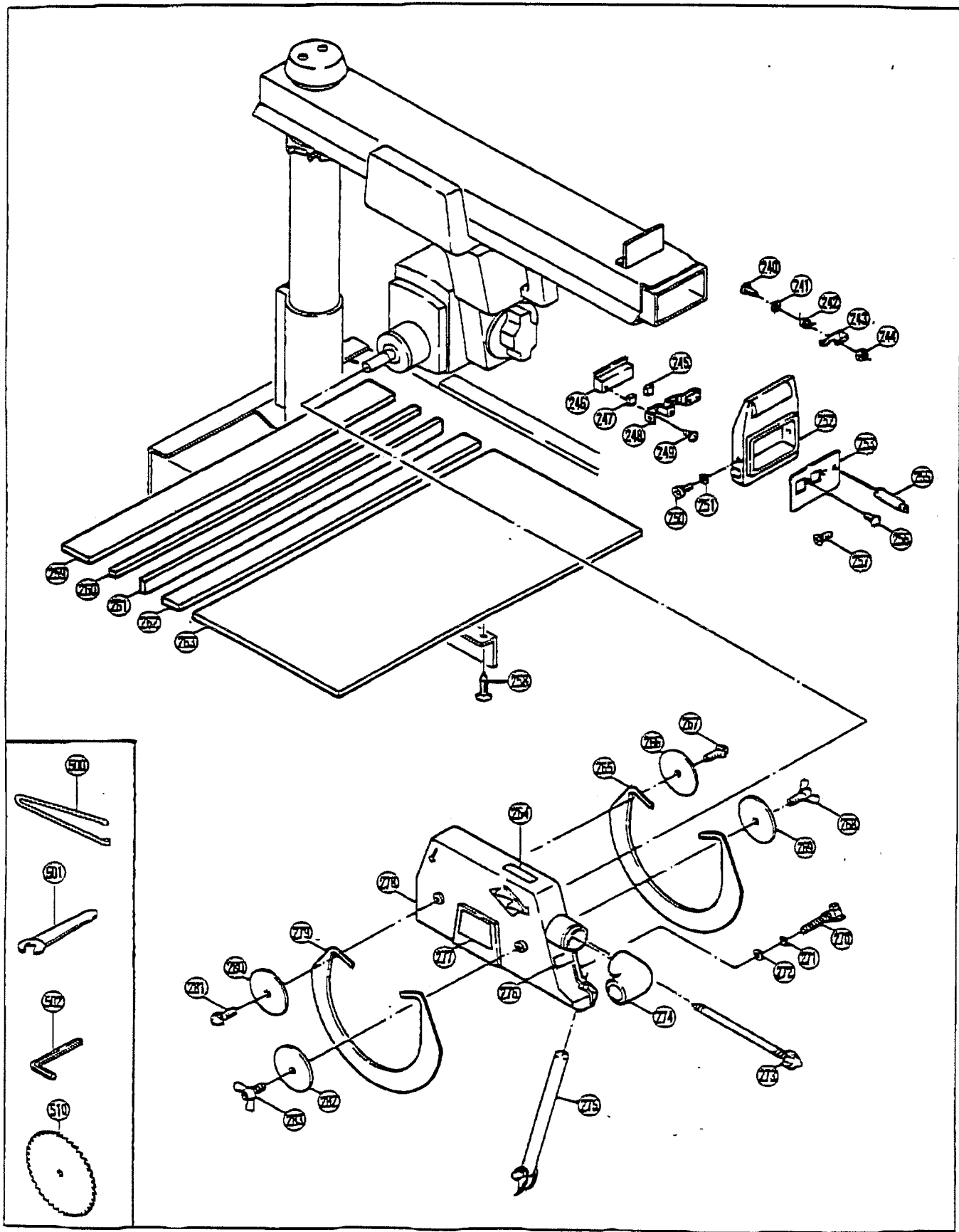
RADIAL ARM SAW

RA-2500



RADIAL ARM SAW

RA-2500



PARTS LIST FOR AFTER SALES SERVICE

MODEL RA-2500

REF	PART NO.	DESCRIPTION	QTY	REF	PART NO.	DESCRIPTION	QTY
1	6490286	FAN CASING	1	60	6560126	CORD BUSH	1
2	9846203	BALL BEARING #6204LLB	1	61	6152121	ARM COVER	1
3	6031715	ARMATURE	1	62	9320600	HEX NUT M6	2
4	9846201	BALL BEARING #6201LLB	1	63	6100433	NUT	1
5	9020565	PHILLIPS PAN SCREW M5X65	2	64	6100437	CLAMP POST	1
6	6501400	FIELD COIL	1	65	6152116	STRAP	1
7	6560126	CORD BUSH	1	66	6100439	LEVER	1
8	6520353	CORD ASS'Y AWG#16X3X1.3	1	67	6831216	HANDLE	1
9	6801374	HOUSING	1	68	9020512	PHILLIPS PAN SCREW M5X12	1
10	9280508	CLAMP SCREW M5X8	2	69	9140612	PHILLIPS FLAT SCREW M6X12	2
11	6152101	BEARING RETAINER PLATE	1	70	9020512	PHILLIPS PAN SCREW M5X12	1
12	9020510	PHILLIPS PAN SCREW M5X10	4	71	6090307	ARM TRACK BLOCK	1
13	6220188	ROUTER NUT ADAPTER	1	72	6370011	RUBBER STOPPER	2
14	6360226	GUARD	1	73	9000520	PHILLIPS PAN SCREW M5X20	2
15	6570097	BRUSH HOLDER	2	74	9403016	SPRING PIN 3X16	1
16	6540213	CARBON BRUSH SET	1	75	6100420	PIN ROD INDEX	1
17	6570107	BRUSH CAP	2	76	6180319	COMPRESSION SPRING	1
18	6920722	LABEL	1	77	9020512	PHILLIPS PAN SCREW M5X12	2
19	9220625	HEX SOCKET HEAD BOLT M6X25	4	78	6152095	BRACKET	1
20	9550600	SPRING WASHER M6	4	79	6100421	ARM ROD INDEX	1
21	9570600	WASHER	4	80	9403016	SPRING PIN 3X16	2
22	6750027	THRUST BEARING	1	81	6180319	COMPRESSION SPRING	1
23	6820685	END CAP	1	82	6152095	BRACKET	1
24	6860195	PULLEY	1	83	9020512	PHILLIPS PAN SCREW M5X12	2
25	6750027	THRUST BEARING	1	84	6880783	COVER	1
26	6152098	FLANGE	1	85	9020510	PHILLIPS PAN SCREW M5X10	6
27	9570800	WASHER	1	86	9320500	HEX NUT M5	2
28	9580800	CONICAL SPRING M8	2	87	9610500	TOOTHED LOCK WASHER M5	2
29	6130086	HEX HEAD BOLT (L.H.T.) M8X20	1	90	9000820	PHILLIPS PAN SCREW M8X20	1
30	6860196	TIMING BELT	1	91	9550800	SPRING WASHER M8	1
31	6130088	PHILLIPS FLAT SCREW M5X115	2	92	9570800	WASHER	1
32	6801371	BEARING HOUSING	1	93	6100429	ELEVATING SCREW	1
33	9020550	PHILLIPS PAN SCREW M5X50	2	94	6100078	PARALLEL KEY	1
34	9280510	CLAMP SCREW M5X10	2	95	6760119	BUSH	1
35	6100443	BAR NUT	1	96	6080528	COLUMN	1
36	6130089	HEX NUT (L.H.T.)	1	100	9320800	HEX NUT M8	2
37	6900549	WASHER	1	101	9550800	SPRING WASHER M8	2
38	6080529	ARBOR COLLAR	1	102	9190845	HEX HEAD BOLT M8X45	2
39	6760117	OILLESS METAL	1	103	6120190	GUIDE	4
50	9000408	PHILLIPS PAN SCREW M4X8	2	104	9280808	CLAMP SCREW M8X8	4
51	6360225	CAP	1	105	6320193	PEDESTAL	1
52	9000408	PHILLIPS PAN SCREW M4X8	2	106	9550800	SPRING WASHER M8	4
53	6152113	BRACKET	1	107	9190816	HEX HEAD BOLT M8X16	4
54	6760119	BUSH	1	108	6750029	THRUST BEARING	1
55	6880778	ARM COVER	1	109	9191018	HEX HEAD BOLT M10X18	4
56	6590282	CORD BUSH	1	110	9551000	SPRING WASHER M10	4
57	9020510	PHILLIPS PAN SCREW M5X10	2	111	6152125	BRACKET	1
58	6152124	GRIP	1	112	9311000	HEX NUT M10	4
59	6520354	CORD ASS'Y AWG#16X3X2.7	1	113	6900551	WASHER	1

PARTS LIST FOR AFTER SALES SERVICE							
MODEL RA-2500							
REF	PART NO.	DESCRIPTION	QTY	REF	PART NO.	DESCRIPTION	QTY
114	6200346	ELEVATING GEAR	1	170	9570600	WASHER	2
115	9571200	WASHER	1	171	6900339	THRUST WASHER	1
116	9321200	HEX NUT M12	2	172	9840608	BALL BEARING #608LLB	1
117	6010119	BASE	1	173	9570600	WASHER	1
118	6080269	TABLE CLAMP	2	174	6100454	RETAINING RING CS-6	1
119	9570800	WASHER	2	175	6320199	CARRIAGE CENTER	1
120	6152084	ANGLE TABLE	2	176	6100001	RETAINING RING CS-8	1
121	9190320	HEX HEAD BOLT M8X20	4	177	9840608	BALL BEARING #608LLB	1
122	9550800	SPRING WASHER M8	4	178	9560800	WASHER	1
123	9570800	WASHER	8	179	6100449	STUD	1
124	9320800	HEX NUT M8	4	180	9404030	SPRING PIN 4X30	2
125	9550800	SPRING WASHER M8	2	181	6100445	YOKE PIVOT STUD	1
126	9320800	HEX NUT M8	2	182	9190620	HEX HEAD BOLT M6X20	2
127	9300600	HEX NUT M6	2	183	9840626	BALL BEARING #626LLB	2
128	6152087	STRAP	1	184	9570600	WASHER	2
129	9570600	WASHER	2	185	6831237	KNOB	1
130	9550600	SPRING WASHER M6	2	186	6180318	COMPRESSION SPRING	1
131	9190620	HEX HEAD BOLT M6X20	2	187	6100447	PIN INDEX	1
132	9300600	HEX NUT M6	4	188	9220520	HEX SOCKET HEAD BOLT M5X20	2
133	9570600	WASHER	4	189	9610500	TOOTHED LOCK WASHER M5	2
134	9550600	SPRING WASHER M6	4	190	6320200	CARRIAGE HOLDER	1
135	9190620	HEX HEAD BOLT M6X20	4	191	6330078	SIDE PLATE	1
136	6080268	ELEVATING SHAFT	1	192	9550800	SPRING WASHER M8	2
137	6760115	METAL	1	193	9190830	HEX HEAD BOLT M8X30	2
138	6831235	CRANK HANDLE	1	194	6880772	CARRIAGE COVER	1
139	6831231	HANDLE	1	195	6920736	"RYOBI" MARK	1
140	9220855	HEX SOCKET HEAD BOLT M8X55	1	196	9570500	WASHER	2
141	9320800	HEX NUT M8	1	197	9000510	PHILLIPS PAN SCREW M5X10	2
142	9240625	WING BOLT M6X25	1	198	9320800	HEX NUT M8	2
150	6831222	KNOB	1	199	9550800	SPRING WASHER M8	2
151	6100451	SHAFT	1	200	9270510	CLAMP SCREW M5X10	1
152	6920732	"RYOBI" MARK	1	201	6900545	WASHER	1
153	9000510	PHILLIPS PAN SCREW M5X10	2	202	6900544	WASHER	1
154	9570500	WASHER	2	203	9270510	CLAMP SCREW M5X10	1
155	6880775	CARRIAGE COVER	1	204	6320188	YOKE	1
156	6900539	SPACER	1	205	6912365	NAME PLATE	1
157	6360227	WINDOW POINTER	2	206	6831211	HANDLE YOKE	1
158	6100450	STUD	1	207	6080527	PIN INDEX	1
159	9280516	CLAMP SCREW M5X16	4	208	6180318	COMPRESSION SPRING	1
160	6330080	SIDE PLATE	1	209	6180317	COMPRESSION SPRING	1
161	9570600	WASHER	1	210	6130640	COLLAR NUT	1
162	6152092	PLATE	1	211	6831213	LEVER	1
163	6152089	PLATE	1	212	6831216	HANDLE	1
164	9320600	HEX NUT M6	1	213	9560500	WASHER	1
165	9190830	HEX HEAD BOLT M8X30	2	214	6100417	MOTOR TILT SHAFT	1
166	9550800	SPRING WASHER M8	2	215	6130643	SCREW SHOULDER	1
167	9270610	CLAMP SCREW M6X10	1	216	9560600	WASHER	1
168	9190620	HEX HEAD BOLT M6X20	2	217	9550600	SPRING WASHER M6	1
169	9840626	BALL BEARING #626LLB	2	218	9000620	PHILLIPS PAN SCREW M6X20	1

PARTS LIST FOR AFTER-SALES SERVICE
MODEL FA-2500

REF	PART NO.	DESCRIPTION	QTY	REF	PART NO.	DESCRIPTION	QTY
219	6831220	HANDLE RELEASE	1	260	6390153	SPACER	1
220	6320191	HOLDER	1	261	6390150	TABLE FENCE	1
221	9610500	TOOTHED LOCK WASHER M5	2	262	6390156	TABLE	1
222	9220520	HEX SOCKET HEAD BOLT M5X20	2	263	6390155	TABLE	1
223	6760118	METAL	1	264	6920713	WARNING LABEL	1
224	6152080	HANDLE	1	265	6880786	LOWER GUARD	1
225	6100456	KEY	1	266	6152134	GUARD LEVER	1
226	6120186	SLIDE	4	267	9020610	PHILLIPS PAN SCREW M6X10	1
227	6900543	WAVE WASHER	2	268	9240615	WING BOLT M6X15	1
228	6950152	SCALE	1	269	6152134	GUARD LEVER	1
229	9610500	TOOTHED LOCK WASHER M5	2	270	6831228	KNOB BOLT	1
230	9000525	PHILLIPS PAN SCREW M5X25	2	271	9550600	SPRING WASHER M6	1
231	6080525	TLT KNOB	1	272	9570600	WASHER	1
240	9000410	PHILLIPS PAN SCREW M4X10	1	273	6080272	GUARD CLAMP	1
241	9570400	WASHER	1	274	6220179	JOINT	1
242	6180320	COMPRESSION SPRING	1	275	6080271	ANTI KICKBACK ARM	1
243	6152131	LOCK LEVER	1	276	6920728	WARNING LABEL	1
244	9310400	HEX NUT M4	1	277	6920725	INFORMATION LABEL	1
245	6360232	BUTTON "ON"	1	278	6801951	SAW GUARD	1
246	6550302	PUSH BUTTON SWITCH	1	279	6880786	LOWER GUARD	1
247	6360233	BUTTON "OFF"	1	280	6152134	GUARD LEVER	1
248	6152128	BRACKET	1	281	9020610	PHILLIPS PAN SCREW M6X10	1
249	6130140	TAPPING SCREW (B) M3.5X10	2	282	6152134	GUARD LEVER	1
250	6130649	SCREW SHOULDER	2	283	9240615	WING BOLT M6X15	1
251	6900697	WAVE WASHER	2	—	6560003	CONNECTOR	3
252	6320196	HANDLE	1	—	6560007	TERMINAL	1
253	6152111	ARM COVER PLATE	1	—	6560032	FASTEN SLEEVE	2
255	6100457	KEY	1			STANDARD ACCESSORIES	
256	9000508	PHILLIPS PAN SCREW M5X8	2	500	6240843	WRENCH	1
257	9140506	PHILLIPS FLAT SCREW M5X6	2	501	6240863	SINGLE-END WRENCH 24	1
258	6130875	TAPPING SCREW M6X16	4	502	6241083	HEX KEY WRENCH 4	1
259	6390152	TABLE	1	510	6651943	10" SAW BLADE	1

SERVICE NOTES: