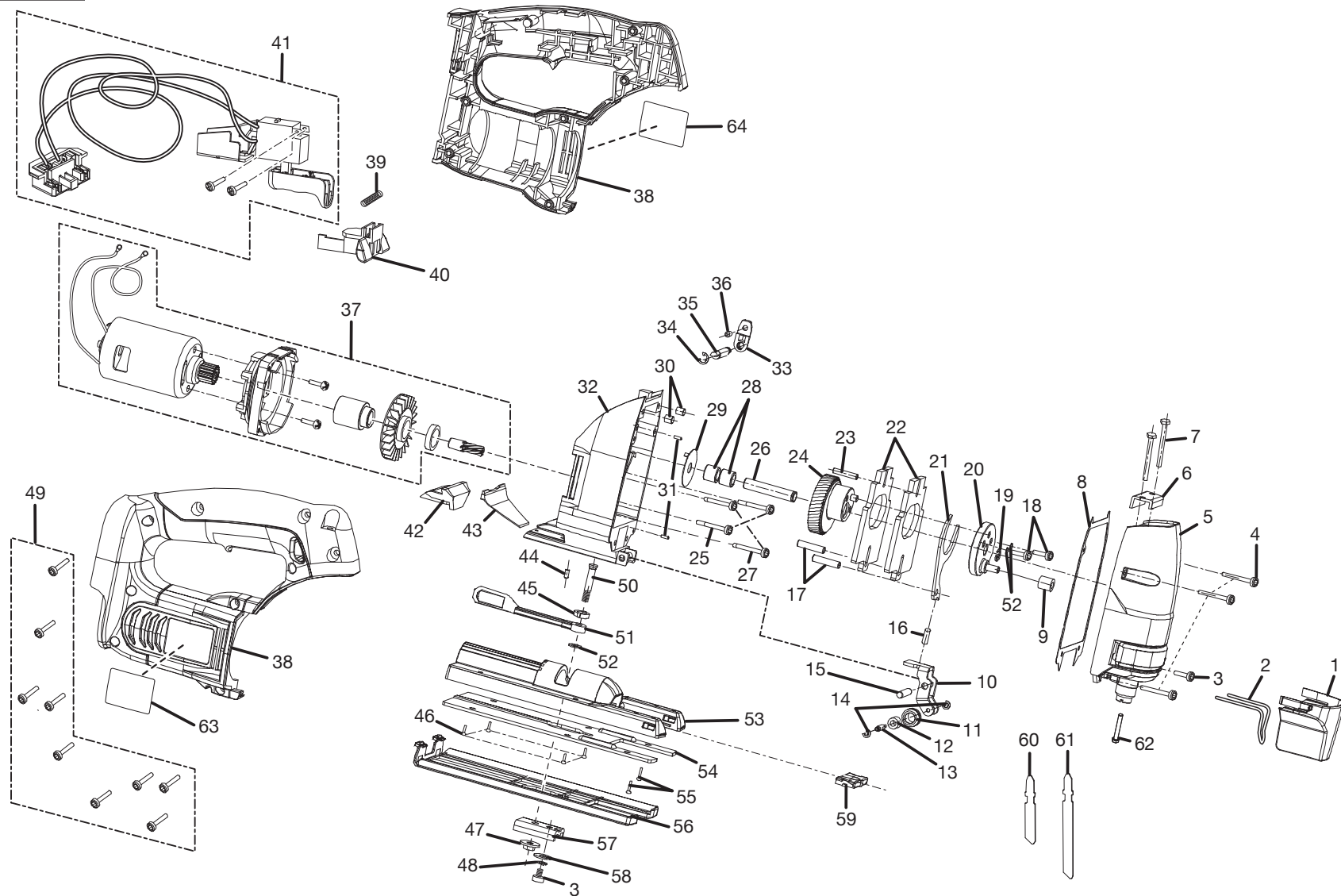


RIDGID® R883



- ⚠ **WARNING:** The assembly shown represents an important part of the Double Insulated System. To avoid the possibility of alteration or damage to the System, service should be performed by your nearest authorized service center.
- ⚠ **AVERTISSEMENT :** L'ensemble illustré représente une partie importante du système à isolation double. Afin d'éviter la possibilité de modification ou de dommage au système, la réparation ne doit être effectuée que par votre centre de réparation centre commercial autorisé.
- ⚠ **ADVERTENCIA:** El conjunto que se ilustra representa una parte importante del Sistema de Aislamiento Doble. Para evitar la posibilidad de alteración o daño del sistema, la reparación debe ser efectuada en su centro de servicio autorizado.

KEY	P/N	DESCRIPTION	QTY	KEY	P/N	DESCRIPTION	QTY	KEY	P/N	DESCRIPTION	QTY
1	513408001	CHIP SHIELD.....	1	25	660212033	SCREW (M4 x 25 mm x L. 10 mm).....	2	48	6703001	SPRING WASHER.....	3
2	671775001	GUARD WIRE.....	1	26	T620332003	PIN (OD. 8 x L. 42 mm).....	1	49	660024044	SCREW (M4 x 16 mm).....	9
3	660212038	SCREW (M4 X 9 mm).....	1	27	660212030	SCREW (M4 x 25 mm x L. 5 mm).....	2	50	672153001	BOLT (M6 x 31 mm).....	1
4	660212037	SCREW (M4 X 18 mm).....	3	28	6892802	NEEDLE BEARING.....	2	51	301010005	SHOE ADJUSTMENT ASSEMBLY.....	1
5	220026002	GEAR BOX COVER ASSEMBLY.....	1	29	671771001	WASHER.....	1	52	672164001	WASHER (OD. 15 x L. 6.2 mm).....	1
6	631267002	HOUSING BLOCK.....	1	30		BUMPER.....	2	53	640965001	SHOE (BASE).....	1
7	660212029	SCREW (M4 x 52 mm).....	2	31	671892001	PIN (OD. 2.5 x L. 6 mm).....	2	54	631413001	SHOE COVER (NO MAR PLATE).....	1
8	901115001	GASKET.....	1	32	640964003	GEAR BOX.....	1	55	660213012	SCREW (M4 x 13 mm).....	2
9	671441002	NEEDLE BEARING.....	1	33	513412002	ORBITAL ADJUSTMENT KNOB.....	1	56	513410001	PLATE CLAMP.....	1
10	631437001	BLADE GUIDE HOLDER.....	1	34	671997001	E-RING.....	1	57	631438002	BASE CLAMP.....	1
11	671818001	BLADE GUIDE.....	1	35	671817001	ORBITAL ADJUSTMENT ROD.....	1	58	672059002	WASHER.....	1
12	681009001	NEEDLE BEARING.....	1	36	301146002	SPRING PLUNGER ASSEMBLY.....	1	59	513409001	ANTI-SPLINTERING INSERT.....	1
13	671819001	PIN (OD. 4 x L. 14 mm).....	1	37	230120003	MOTOR ASSEMBLY.....	1	60	690227040	BLADE (METAL).....	1
14	671319001	E-RING.....	2	38	200208010	HOUSING ASSEMBLY (INC. KEY NOS. 63 AND 64).....	1	61	690227041	BLADE (WOOD).....	1
15	671820001	PIN (OD. 5 x L. 24 mm).....	1					62	660837001	SCREW (M3 x 22.5 mm).....	1
16	671824001	PIN (OD. 5 x L. 9.6 mm).....	1	39	6799802	SPRING.....	1	63	940055124	DATA LABEL.....	1
17	671598001	PIN (OD. 5 x L. 22 mm).....	2	40	512541001	LOCK-OFF BUTTON.....	1	64	940213039	LOGO LABEL.....	1
18	661214001	SCREW (M4 x 12 mm).....	2	41	270018067	SWITCH ASSEMBLY.....	1				
19	6881401	E-RING.....	1	42	641007001	CLAMPING CLAW.....	1				
20	671770001	PLATE.....	1	43	513664001	AIRFLOW GUIDE PLATE.....	1				
21	671769001	DRIVE PLATE.....	1	44	671892001	PIN (OD. 2.5 x L. 6 mm).....	1				
22	672140001	BALANCING PLATE.....	2	45	641141002	FIX WEDGE.....	1				
23	671436002	PIN (OD. 4 x L. 20 mm).....	1	46	660827001	SCREW (M4 x 10 mm).....	4				
24	610638001	GEAR ASSEMBLY.....	1	47	631083002	NUT (M5).....	1				

NOT SHOWN:

65	140315001	24V LITHIUM-ION CHARGER (R85009).....	1
66	140276002, 140276003 or 140276004	NI-CD CHARGER.....	1
67	130377001	24V LITHIUM-ION BATTERY PACK (R85008).....	1
68	130254007 or 130254003	18V NI-CD BATTERY PACK.....	1
69	983000992	OPERATOR'S MANUAL (960223918) ...	1

3-21-13
(REV:06)