

RIDGID
R86448 Brushless 18V One-Handed
Reciprocating Saw
Repair Sheet

RIDGID
R86448 Une Main Scie Alternative 18 V Sans Balai
Feuille De Réparation

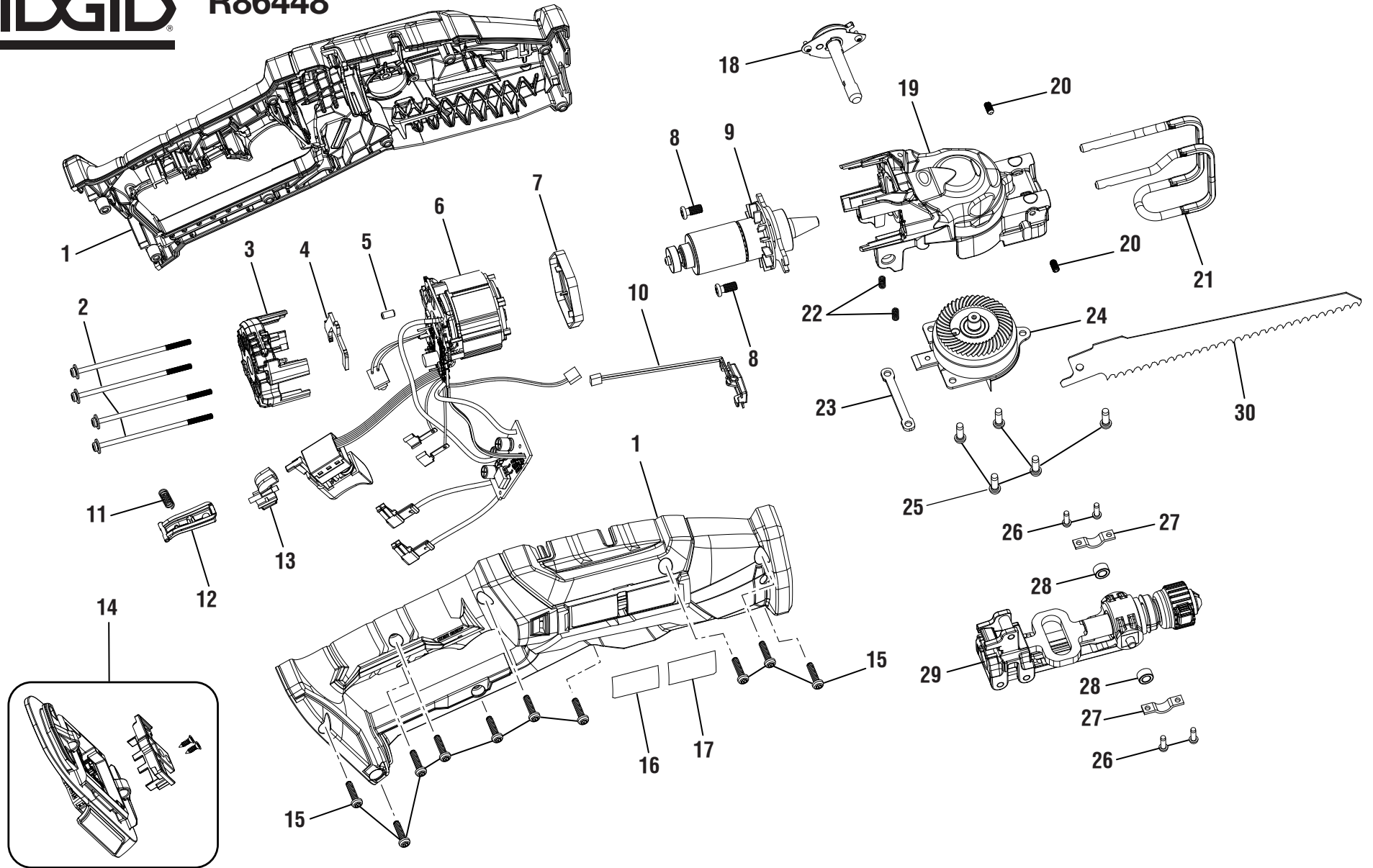
RIDGID
R86448 Con Una Mano Sierra Alternativa De 18 V
Sin Escobillas
Listas De Piezas De Repuesto

ONE WORLD TECHNOLOGIES, INC.

P.O. Box 1427

Anderson, SC 29622 USA

1-866-539-1710 ■ www.RIDGID.com

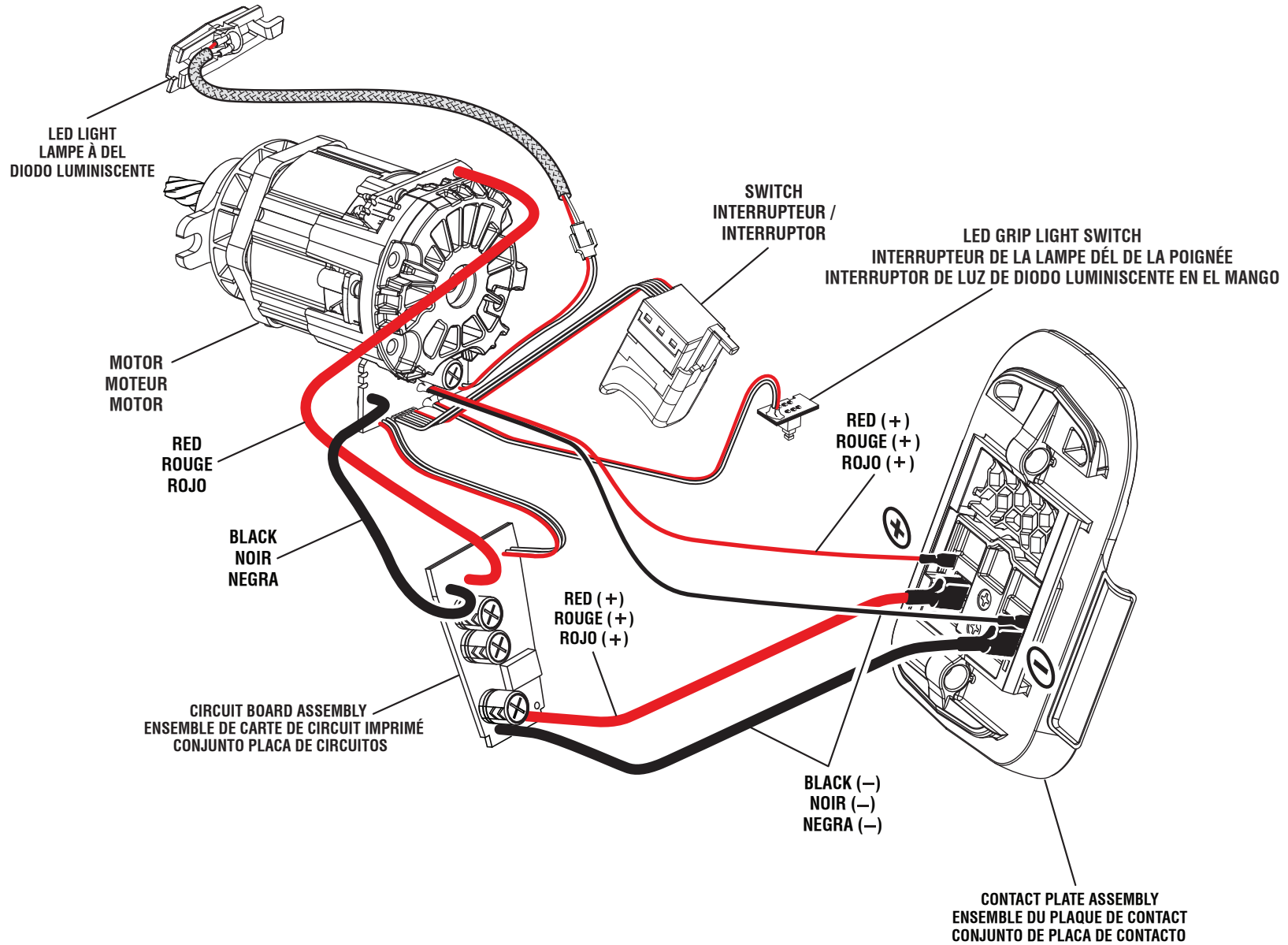




R86448

PARTS LIST

KEY	P/N	DESCRIPTION	QTY	KEY	P/N	DESCRIPTION	QTY
1	204780002	Housing Assembly (Incl. Key Nos. 16-17)	1	18	204780003	Orbital Knob Assembly.....	1
2	T662511001	Screw w/Washers (M5 x 75 mm, T10 Torx Pan Hd.).....	4	19	206683006	Gear Case Assembly	1
3	643470001	End Cap.....	1	20	660439002	Screw (M4 x 8 mm, Hex Soc. Hd.)	2
4	780256001	Heatsink Pad	1	21	673203001	Shoe	1
5	550339001	Rubber Plug.....	1	22	692674001	Compression Spring.....	2
6	206683004	Field, Circuit Board & Contact Plate Holder Assembly	1	23	639537001	Lock Plate	1
7	531835001	Spacer	1	24	206683007	Output Gear Assembly	1
8	662088004	Screw w/Washer (M5 x 10.5 mm, T20 Torx Pan Hd.).....	2	25	660165013	Screw (M4 x 12 mm, T20 Torx Pan Hd.).....	5
9	206683005	Armature Assembly	1	26	661031003	Screw (M3 x 8 mm, T10 Torx Pan Hd.).....	4
10	291355003	LED Assembly	1	27	639538001	Bushing Plate	2
11	692688001	Compression Spring.....	1	28	612042001	Bushing.....	2
12	591119001	LED Button	1	29	204780004	Saw Bar Assembly	1
13	536391001	Trigger Lock.....	1	30	690291037	Wood Cutting Blade	1
14	360759006	Foot Assembly.....	1	Not Shown:			
15	660024044	Screw (M4 x 16 mm, T20 Torx Pan Hd.).....	10	995000632	Operator's Manual (961152971)		
16	941122081	Data Label	1	2-15-19			
17	941120402	Warning Label.....	1	(Rev:02)			



WIRING DIAGRAM
SCHÉMA DE CÂBLAGE / DIAGRAMA DE CABLEADO