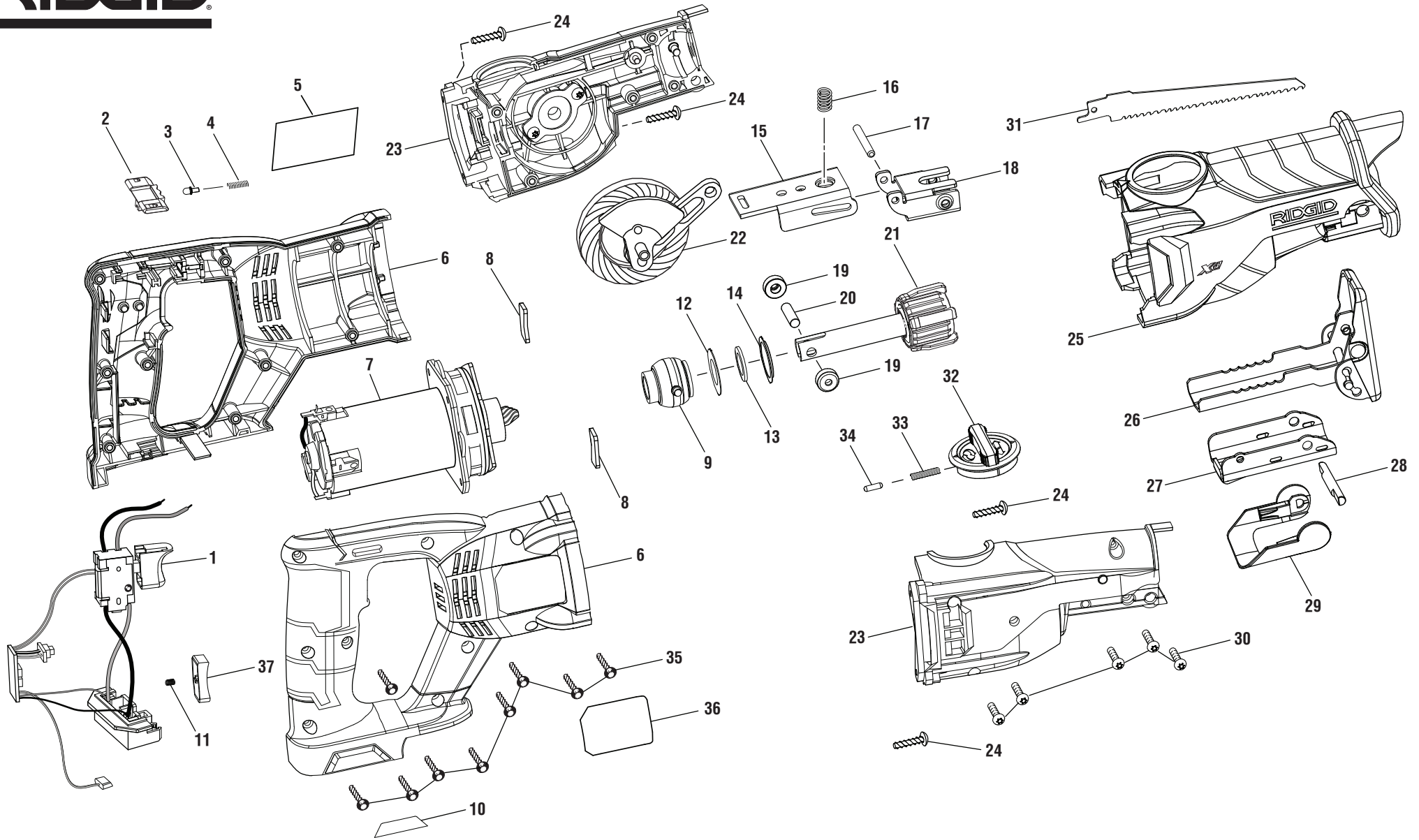


RIDGID R8641





R8641

KEY	P/N	DESCRIPTION	QTY	KEY	P/N	DESCRIPTION	QTY
1	270016155	Switch w/LED Assembly.....	1	25	330605001	Rubber Boot.....	1
2	341118001	Lock-Off Button	1	26	304374001	Shoe Assembly	1
3	526010001	Pin.....	1	27	633526001	Shoe Retainer	1
4	692177001	Compression Spring	1	28	672196002	Shoe Pin.....	1
5	940114162	Logo Label	1	29	591120001	Shoe Release Lever	1
6	201861001	Housing Assembly (Inc. Key Nos. 5-6, 10 and 36)	1	30	661004001	Screw (8-32 x 3/4 in.).....	5
7	230361001	Motor Assembly.....	1	31	671947001	Wood Cutting Blade.....	1
8	561525001	Bearing Seal.....	2	32	340035003	Orbital Button.....	1
9	201864001	Spindle Bushing Assembly	1	33	692009001	Compression Spring	1
10	940533020	Logo Label	1	34	672747001	Orbital Detent Pin.....	1
11	692688001	Compression Spring	1	35	660024044	Screw (M4 x 16 mm)	9
12	632529001	Bushing Seal	1	36	940488191	Data Label.....	1
13	902150001	Felt Seal	1	37	591119001	LED Button.....	1
14	632528001	Seal Cover.....	1	Not Shown:			
15	632531001	Orbit Control Link.....	1	130183001	Battery Pack (R840085, Compact)	1	
16	672188001	Compression Spring	1	130183002	Battery Pack (R840083, High Capacity)	1	
17	672180002	Orbital Control Pin	1	140154001	Charger (R840093).....	1	
18	672194001	Orbit Control Link.....	1	988000378	Correlation Supplement.....	1	
19	691260001	Spindle Bushing.....	2	988000179	Operator's Manual (R840083 and R840085).....	1	
20	672179001	Pin.....	1	988000181	Operator's Manual (R840093)	1	
21	304370001	Blade Clamp Assembly.....	1	988000324	Operator's Manual (R8641)	1	
22	304369001	Gear Assembly.....	1	7-31-13 (Rev:07)			
23	305893001	Gear Case Housing Assembly.....	1				
24	660208093	Screw (M4 x 25 mm).....	4				