

**RIDGID
R86403 MEGAMAX™
ROTARY HAMMER DRILL HEAD
REPAIR SHEET**

**RIDGID
R86403 MEGAMAX™
TÊTE À PERCEUSE À PERCUSSION ROTATIVE
FEUILLE DE RÉPARATION**

**RIDGID
R86403 MEGAMAX™
CABEZAL DE TALADRO DE PERCUSIÓN ROTATORIO
LISTA DE PIEZAS DE REPUESTO**

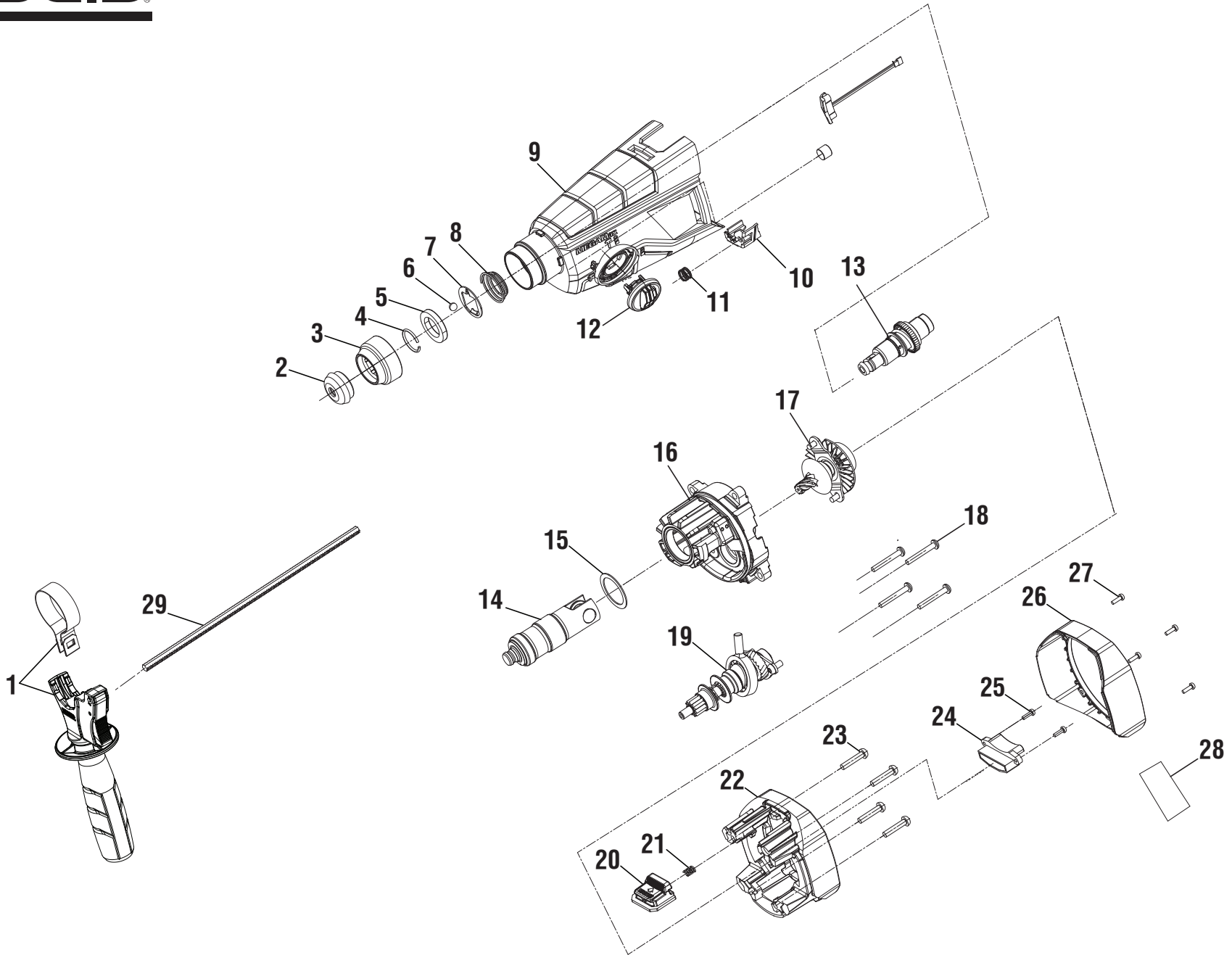
ONE WORLD TECHNOLOGIES, INC.

P.O. Box 1427

Anderson, SC 29622, USA

1-866-539-1710 ■ www.RIDGID.com

RIDGID is a registered trademark of RIDGID, Inc., used under license.





R86403

KEY	P/N	DESCRIPTION	QTY	KEY	P/N	DESCRIPTION	QTY
1	204823001	Auxiliary Handle (Incl. Key No. 29)	1	18	662353001	Screw (M4.5 x 32 mm, T20 Torx Pan Hd)	4
2	561993001	Dust Cap	1	19	206696001	Gear Box Shaft Assembly	1
3	522172001	Locking Sleeve	1	20	312169003	Release Button	1
4	672631001	C-Ring	1	21	692244001	Compression Spring	1
5	633521001	Ball Retaining Washer	1	22	642863001	Contact Plate (Power Base)	1
6	681154001	Ball (7 mm)	1	23	662027001	Screw w/Washer (M5 x 18 mm, Hex Soc. Hd.)	4
7	632399001	Ball Support Plate	1	24	280553001	Circuit Board	1
8	672799001	Conical Spring	1	25	661346001	Screw (M4 x 10 mm, T20 Torx Pan Hd.)	2
9	204824001	Gear Case Assembly	1	26	360797001	Housing Cover	1
10	636475001	Clamp Plate Assembly	1	27	661414001	Screw (M3 x 11 mm, T10 Torx Pan Hd.)	4
11	692732002	Compression Spring	1	28	941048135	Data Label	1
12	204825001	Mode Selector	1	29	620448002	Depth Stop Rod	1
13	206714001	Spindle Assembly	1	Not Shown:			
14	206694001	Cylinder Assembly	1	995000345	Operator's Manual (961152807)		
15	633516001	Washer	1	5-4-18			
16	204828001	Clutch Assembly	1	(Rev:01)			
17	206695001	Gear Shaft Assembly	1				