

**RIDGID  
R86402 MEGAMAX™  
ANGLE DRILL HEAD  
REPAIR SHEET**

**RIDGID  
R86402 MEGAMAX™  
TÊTE DE PERCEUSE À ANGLE DROIT  
SCIE ALTERNATIVE  
FEUILLE DE RÉPARATION**

**RIDGID  
R86402 MEGAMAX™  
CABEZAL DE TALADRO DE ÁNGULO  
RECTO ALTERNATIVA  
LISTA DE PIEZAS DE REPUESTO**

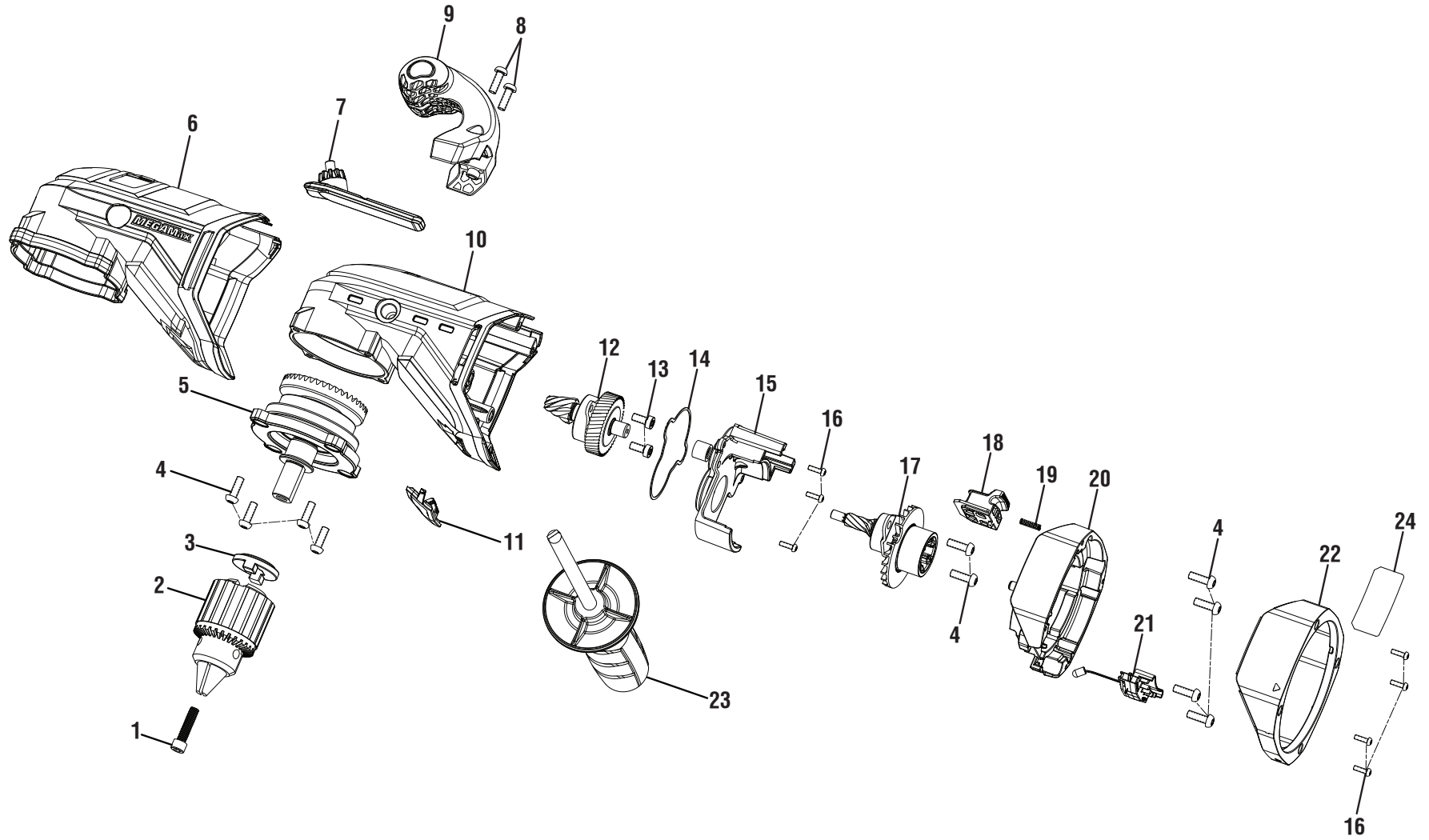
**ONE WORLD TECHNOLOGIES, INC.**

P.O. Box 1427

Anderson, SC 29622, USA

1-866-539-1710 ■ [www.RIDGID.com](http://www.RIDGID.com)

*RIDGID is a registered trademark of RIDGID, Inc., used under license.*





R86402

KEY	P/N	DESCRIPTION	QTY	KEY	P/N	DESCRIPTION	QTY
1	660537001	Chuck Screw (St.1/4-20 x 1in., L.H. Thread).....	1	15	204863001	Gear Cover Assembly .....	1
2	673615001	Chuck .....	1	16	660380008	Screw (M3 x 10 mm, T10 Torx Pan Hd.) .....	7
3	673609001	Chuck Drive Hub .....	1	17	206709001	Gear Shaft Assembly .....	1
4	660385016	Screw (M5 x 15 mm, T25 Torx Pan Hd.) .....	10	18	312169003	Release Button.....	1
5	206707001	Bevel Gear Assembly .....	1	19	692244001	Spring .....	1
6	531962001	Rubber Boot.....	1	20	642906001	Contact Plate (Power Base) .....	1
7	673608001	Chuck Key .....	1	21	280552001	Circuit Board and LED Assembly.....	1
8	661735001	Screw (M5 x 17 mm, Button Hd.).....	2	22	204864001	Heat Shield Assembly (Incl. Key No. 24).....	1
9	531958001	Top Handle .....	1	23	204865001	Auxiliary Handle Assembly.....	1
10	204862001	Gear Case Assembly.....	1	24	941121878	Data Label .....	1
11	360961002	LED Lens.....	1	<b>Not Shown:</b>			
12	206708001	Bevel Pinion and Gear Assembly .....	1	995000305	Operator's Manual (961152806)		
13	660392004	Screw (M5 x 11 mm, T25 Torx Pan Hd.) .....	2	4-20-18			
14	564221002	Oil Seal .....	1	(Rev:01)			