

**RIDGID
R86401 MEGAMAX™
RECIPROCATING SAW HEAD
REPAIR SHEET**

**RIDGID
R86401 MEGAMAX™
TÊTE À SCIE ALTERNATIVE
FEUILLE DE RÉPARATION**

**RIDGID
R86401 MEGAMAX™
CABEZAL DE SIERRA ALTERNATIVA
LISTA DE PIEZAS DE REPUESTO**

ONE WORLD TECHNOLOGIES, INC.

P.O. Box 1427

Anderson, SC 29622, USA

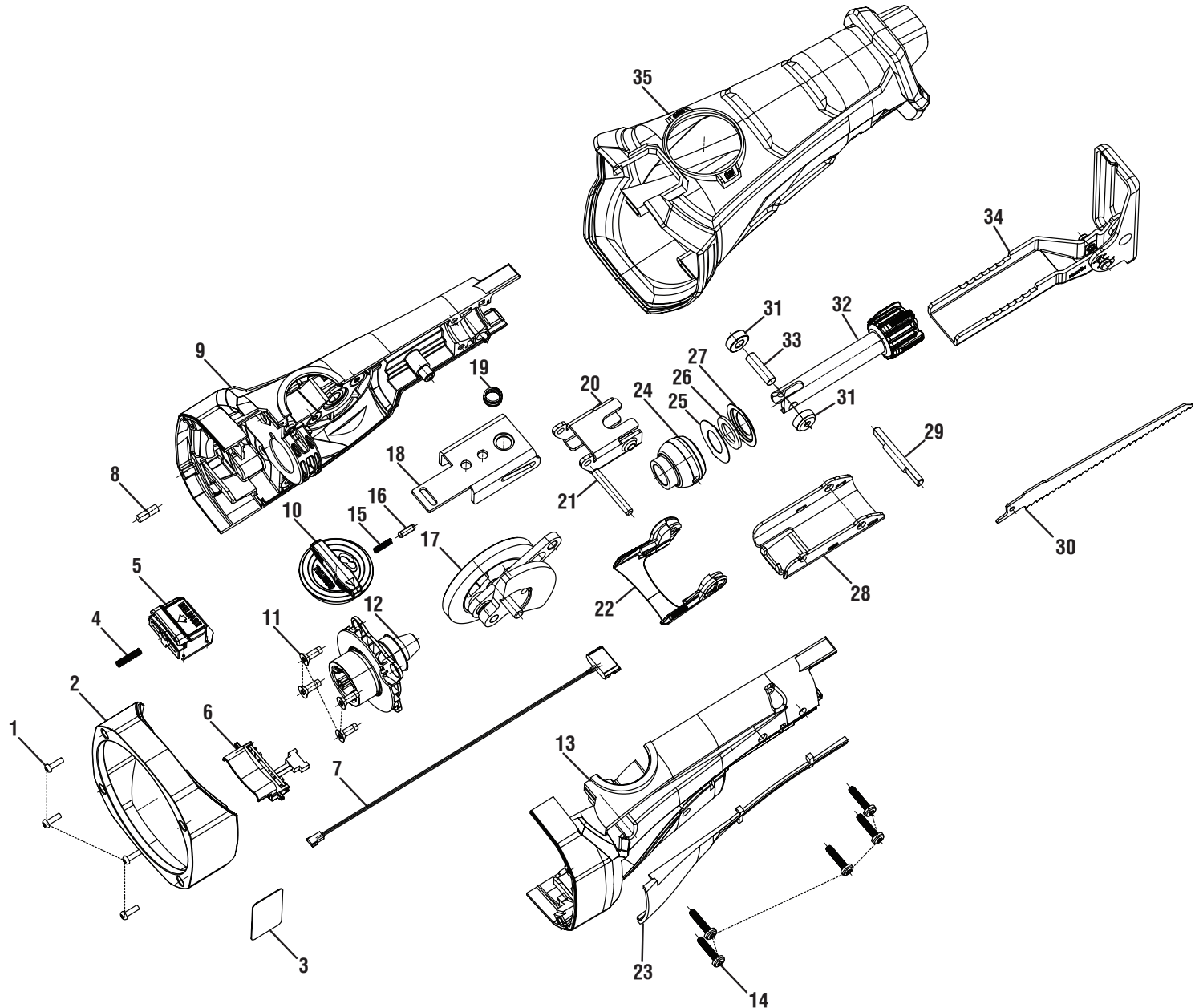
1-866-539-1710 ■ www.RIDGID.com

RIDGID is a registered trademark of RIDGID, Inc., used under license.



R86401 Reciprocating Saw Head

Tête à scie alternative / Cabezal de sierra alternativa





R86401 Reciprocating Saw Head

KEY	P/N	DESCRIPTION	QTY	KEY	P/N	DESCRIPTION	QTY
1	660380008	Screw (M3 x 10 mm, T10 Torx Hd.).....	4	21	672180002	Orbit Control Pin (B)	1
2	360797001	Connector	1	22	307113001	Shoe Release Lever w/Insert.....	1
3	941121877	Data Label	1	23	528268001	Air Channel Cover	1
4	692244001	Spring.....	1	24	203417001	Spindle Bushing Assembly	1
5	312169003	Lock Button Assembly	1	25	632529001	Bushing Seal	1
6	280500001	Circuit Board	1	26	902150001	Felt Seal	1
7	290804130	LED Assembly	1	27	632528001	Seal Cover.....	1
8	564317001	Rubber Plug	1	28	633526001	Shoe Retainer.....	1
9	206718001	Gear Case Support Assembly.....	1	29	672196005	Shoe Pin.....	1
10	307119002	Obital Button w/Insert	1	30	690347004	Wood Cutting Blade (6 in.)	1
11	661185001	Screw (8-32 x 1/2 in., T15 Torx Hd.).....	4	31	691260001	Spindle Bushing	2
12	206720001	Coupler and Pinion Assembly	1	32	203520001	Blade Clamp Assembly	1
13	206719001	Gear Case Cover Assembly	1	33	672179001	Pin	1
14	661004001	Screw (8-32 x 3/4 in.)	5	34	306340001	Shoe	1
15	692009001	Compression Spring	1	35	330473003	Rubber Boot.....	1
16	672747001	Orbital Detent Pin (A).....	1	Not Shown:			
17	206721001	Bevel Gear Assembly	1	995000338	Operator's Manual (961152805)		
18	632531003	Orbit Control Link (A).....	1	4-20-18			
19	672188001	Compression Spring	1	(Rev:01)			
20	694167001	Orbit Control Link (B).....	1				